

# EASTERN ♦ ACCENTS®

## WORKROOM



C.O.M. Bedding  
Stocking Dealer Wholesale

# Table of Contents

How To Order	3
Railroaded vs. Up the Roll Fabrics	4
How To Measure	5
Style Guides	6
Duvet Covers & Comforters	8
Coverlets	20
Bed Skirts	32
Bed Pillows	40
Upgrade Information	70
Bedding Basics	78

# How To Order

Creating products with customer's own material (C.O.M.) with Eastern Accents is fun and easy! Just follow these simple steps to get started:

1

## Choose Product

Eastern Accents offers duvet covers, comforters, coverlets, bed skirts, and bed pillows.

2

## Choose Style

Eastern Accents offers six duvet cover, comforter, and coverlet styles to choose from. There are also four styles of bed skirts and fifteen styles of bed pillows.

3

## Choose Size, Fabrics, Closure, and Upgrades

### A. Choose Size

Choose from Daybed, Twin, Full, Queen, Super Queen, King, Super King, or Cal King sizes. For bed skirts you can choose from Daybed, Twin, Full, Queen, King, Cal King. Bed pillows are offered in Euro Sham, Standard Sham, King Sham, and Bolster sizes. Call for custom size information.

### B. Choose Fabrics

Browse our deluxe binders or visit EasternAccents.com to select fabrics and trimmings for your custom bedding. You may combine both Eastern Accents and C.O.M. fabrics and trimmings in your product. Please note our yardage charts are based on 54"-58" wide fabrics. Contact Customer Service at 800.397.4556 for specific information on using wider or narrower fabrics.

**FABRIC CONSISTENCY AND SUBSTITUTIONS:** Fabrics offered by Eastern Accents may have variations in texture and color. We may substitute similar fabrics and trimmings if the originals are no longer available. Please visit EasternAccents.com for current fabric and trimming availability.

### C. Choose Closure

Eastern Accents duvet covers include a standard button closure or zipper, and you may specify which of your fabrics will be used for the button fabric.

### D. Add Upgrades (optional)

You may add upgrades such as trimming, a flange, a welt, or a cuff to your bedding.

### E. Sign the Form

Once you have completed the worksheet, carefully review and sign it. Please note that custom items cannot be exchanged and are non-returnable and non-refundable.

4

## Submit Your Order

After you have completed and signed your worksheet, email it to Custom@EasternAccents.com or fax it to 800.998.3278. Do not ship C.O.M. fabrics or trimmings prior to receiving an order confirmation number from Eastern Accents.

5

## Receive Order Confirmation Number

Eastern Accents will review your order and email or fax you an order confirmation number.

6

## Ship Fabrics and Trims

After receiving your order confirmation number, ship C.O.M. fabrics and trimmings to Eastern Accents with the order confirmation number and your company's name clearly marked on the package. The shipping address for C.O.M. fabrics and trimmings is:

Eastern Accents  
Attn.: C.O.M. Department  
3138 N. Tripp Avenue  
Chicago, IL 60641

Note that Eastern Accents reserves the right to refuse any material or design not suited for production.

7

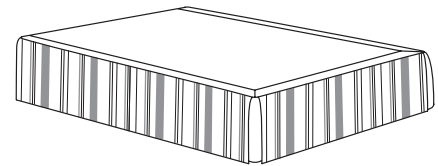
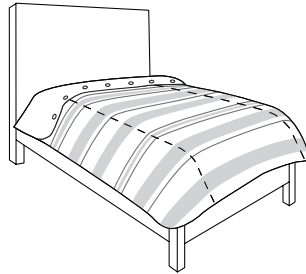
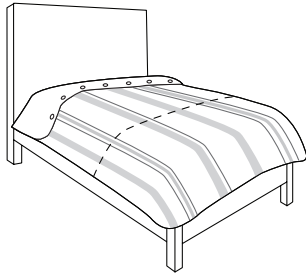
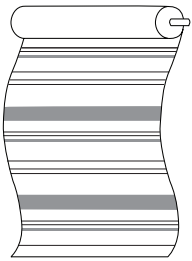
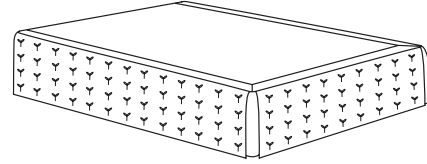
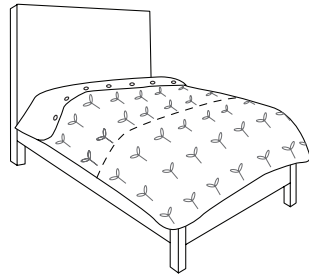
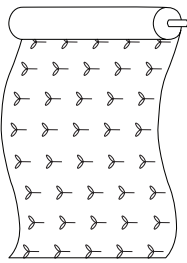
## Production and Delivery

Lead time for C.O.M. orders is 3 - 5 weeks after receipt of all C.O.M. materials.

# Railroaded vs. Up the Roll Fabrics

## Railroaded Fabrics

Fabric pattern or grain runs across the roll horizontally, from selvage to selvage.

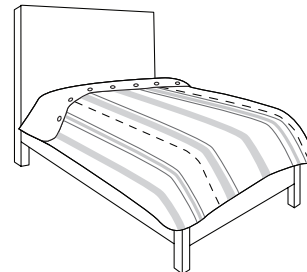
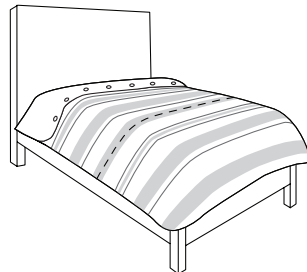
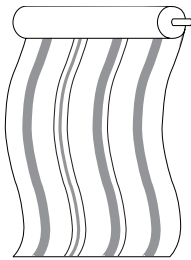
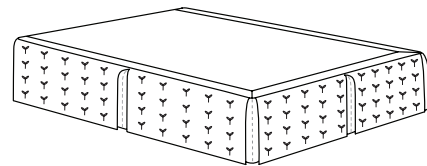
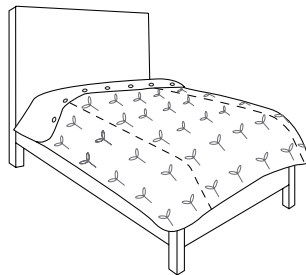
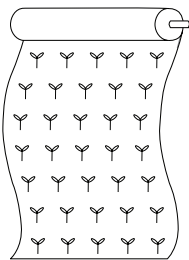


For railroaded fabrics with a stripe pattern, please specify whether you would like the pattern to run horizontally or vertically. The seams on your bed cover will be adjusted according to the pattern direction you have chosen. Note that if you select a RR fabric with a stripe pattern for a straight bed skirt, the stripe pattern will run vertically on the bed skirt.

---

## Up the Roll Fabrics

Fabric pattern or grain runs up the roll vertically, parallel to the selvages.



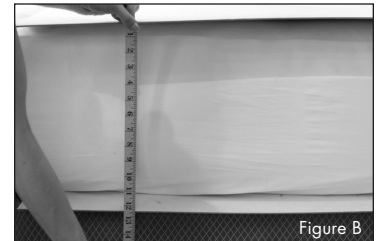
For Up the Roll fabrics with a stripe pattern, please specify whether you would like the pattern to run horizontally or vertically. The seams on your bed cover will be adjusted according to the pattern direction you have chosen. Up the Roll fabrics result in multiple seams on the bed skirt, so we do not recommend using an Up the Roll fabric for the straight bed skirt style. Note that if you select an Up the Roll fabric with a stripe pattern for a straight bed skirt, the stripe pattern will run horizontally on the bed skirt.

# How to Measure...

## ...a Mattress for a Duvet Cover, Comforter, or Coverlet

This guide will help you measure your mattress to determine which duvet cover, comforter, or coverlet size to order. To measure a mattress accurately, use measuring tape and follow the instructions below:

- 1 Start with a bare mattress.
- 2 Using the tape, measure from the left side to the right side of the mattress to determine mattress width (Figure A).
- 3 Next, measure the mattress thickness from the top of the mattress to the bottom of the mattress (Figure B). This is the mattress height.
- 4 Multiply the mattress height by two and add that amount to the mattress width. This amount will determine the width of duvet cover that you need to fit your mattress. For instance, if your mattress width total is 108", you will need a Super King size duvet cover. Always round up to the next size.
- 5 Please refer to the chart below to select the appropriate duvet cover size for your bed.



Daybed	Twin	Full	Queen	Super Queen	King	Super King	Cal King
99" x 52"	63" x 88"	78" x 88"	88" x 90"	96" x 98"	102" x 90"	114" x 98"	104" x 100"

### Notes:

- Eastern Accents's Super sizes are designed for pillowtop or particularly thick mattresses.
- For a bed without a bed skirt, you may want to choose a super size duvet cover or comforter to make sure your box spring (if applicable) is covered.

## ...a Box Spring for a Bed Skirt

This guide will help you measure your box spring to determine which bed skirt size to order. To measure a box spring accurately, use measuring tape and follow the instructions below:

- 1 Using the tape, measure the box spring from the left edge to the right edge (Figure C). This is the box spring width.
- 2 Next, measure the box spring from the head of the bed to the foot of the bed (Figure D). This is the box spring length.
- 3 Finally, measure from the top of the box spring to the floor (Figure E). This is the bed skirt drop.
- 4 Match the box spring width and length to the chart below.

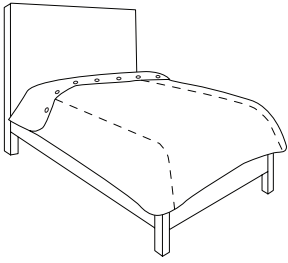


Daybed	Twin	Full	Queen	King	Cal King
75" x 39"	39" x 75"	54" x 79"	60" x 80"	78" x 80"	72" x 84"

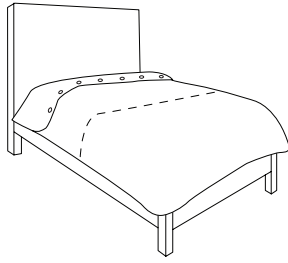
### Notes:

- Eastern Accents bed skirts have a 3" decking border and split corners with kick pleats.

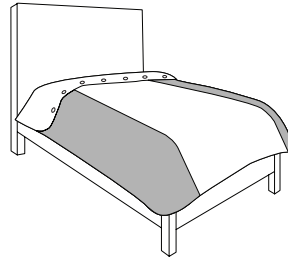
# Duvet Cover & Comforter Styles



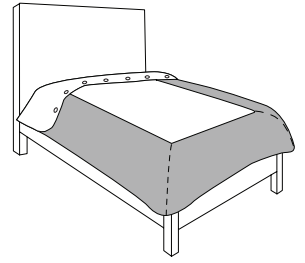
Solid Up the Roll (p. 8)



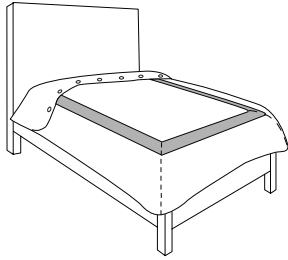
Solid Railroaded (p. 10)



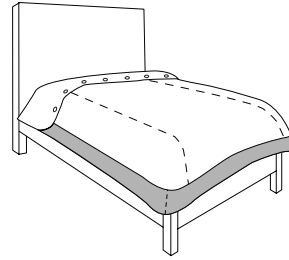
Insert (p. 12)



Mitered (p. 14)

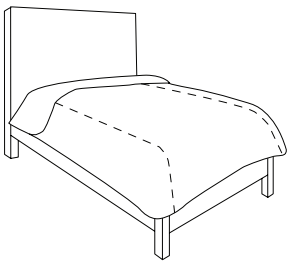


Mitered Insert (p. 16)

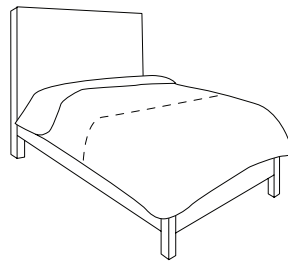


Mitered Edge (p. 18)

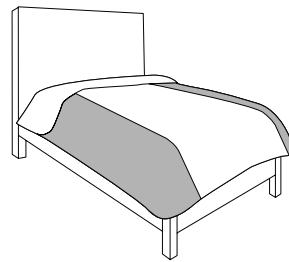
# Coverlet Styles



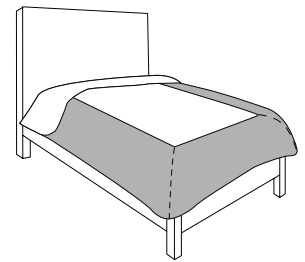
Solid Up the Roll (p. 20)



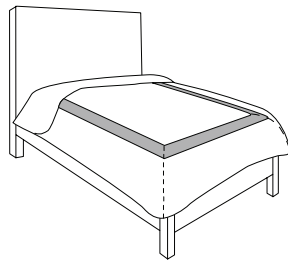
Solid Railroaded (p. 22)



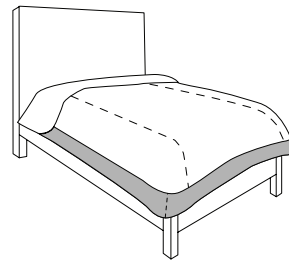
Insert (p. 24)



Mitered (p. 26)

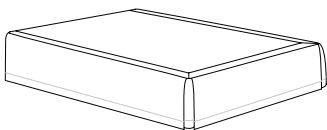


Mitered Insert (p. 28)



Mitered Edge (p. 30)

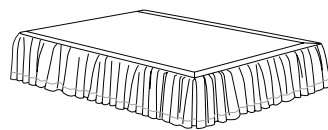
# Bed Skirt Styles



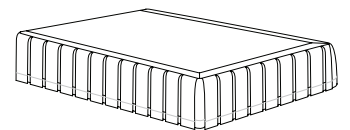
Straight (p. 32)



Pleated (p. 34)

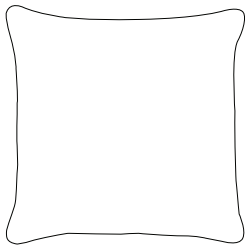


Ruffled (p. 36)

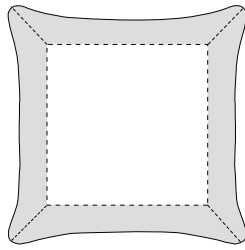


Box Pleat (p. 38)

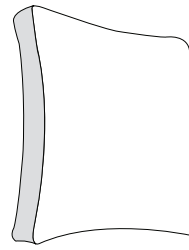
# Euro Sham Styles



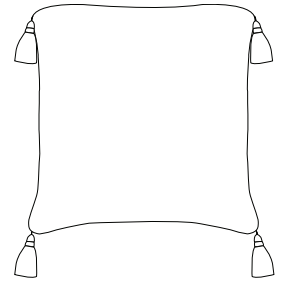
Solid (p. 40)



Mitered (p. 42)

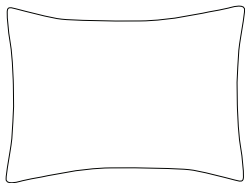


Boxed (p. 44)

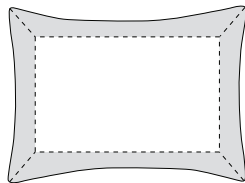


Turkish Corners  
with Tassels (p. 46)

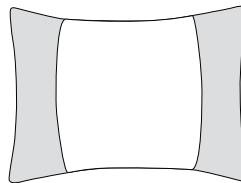
# Standard/King Sham Styles



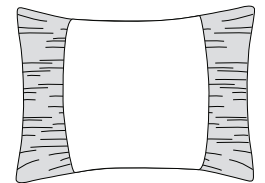
Solid (p. 48)



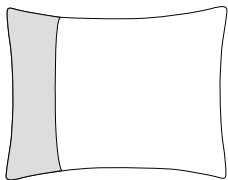
Mitered (p. 50)



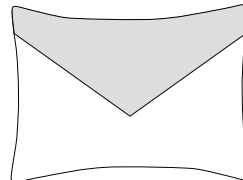
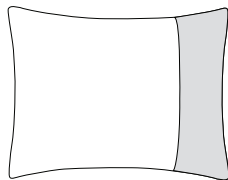
Insert (p. 52)



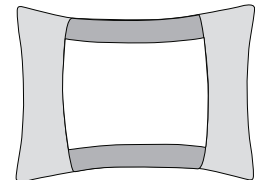
Ruched Insert (p. 54)



Left & Right (p. 56)

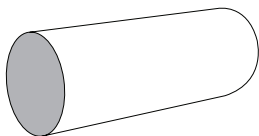


Envelope (p. 58)

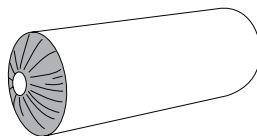


Collage (p. 60)

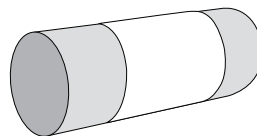
# Bolster Styles



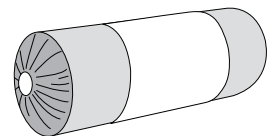
Solid (p. 62)



Solid with  
Gathered Sides (p. 64)

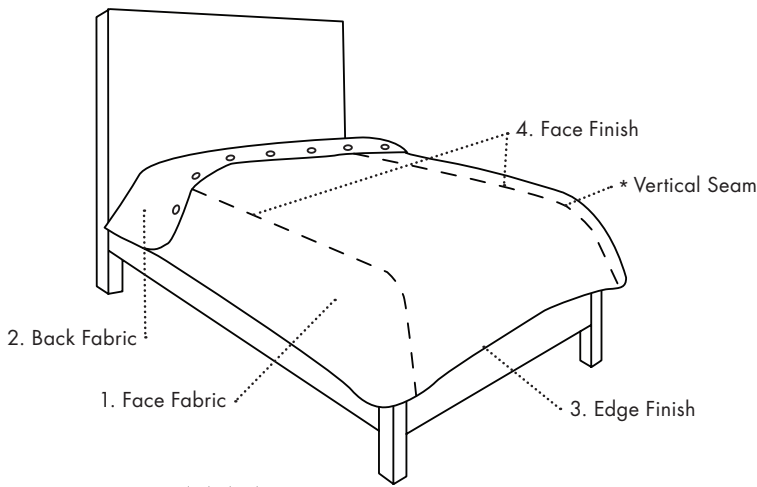


Insert (p. 66)



Insert with  
Gathered Sides (p. 68)

# Duvet Cover & Comforter (1" batting) - Solid Up the Roll



Duvet Cover Base Charge: \$130

Comforter Base Charge: \$180

## Upgrade Options

### Edge Finish

- A. Add Cord (p.70) \$20
- B. Add Small Welt (p.70) \$20
- C. Add Medium Welt (p.70) \$20
- D. Add Medium Ruched Welt (p.70) \$20
- E. Add Large Ruched Welt (p.70) \$20
- F. Add Flange (p.70) \$20

### Face Finish

- I. Add Cord or Gimp (p.71) \$20
- J. Add Small Welt (p.71) \$20
- K. Add Cuff (p.71) \$20

### Other

Down and Faux Down (p.78)

Duvet cover insert is not included, please see page 79.

Choose Product:  Duvet Cover  Comforter

Choose Size\*:  Daybed (99"x52")  Twin (63"x88")  Full (78"x88")  Queen (88"x90")  Super Queen (96"x98")  
 King (102"x90")  Super King (114"x98")  Cal King (104"x100") \*Call for custom size information.

Choose Quantity: \_\_\_\_\_

### Choose Fabric:

1. Face Fabric: Fabric Vendor:  Eastern Accents  C.O.M. (Vendor Name: \_\_\_\_\_ )  
 Fabric Code: \_\_\_\_\_ Fabric Width: \_\_\_\_\_"  Up the Roll or Solid Only (railroaded fabric pattern will run horizontally, p.4)  
 Repeat: V: \_\_\_\_\_" H: \_\_\_\_\_" Yardage Needed: \_\_\_\_\_ yds

2. Back Fabric: Fabric Vendor:  Eastern Accents  C.O.M. (Vendor Name: \_\_\_\_\_ )  
 Fabric Code: \_\_\_\_\_ Fabric Width: \_\_\_\_\_"  Railroaded:  Vertical (2b)  Horizontal (2a)  Up the Roll/Solid  
 Repeat: V: \_\_\_\_\_" H: \_\_\_\_\_" Yardage Needed: \_\_\_\_\_ yds

Choose Closure (duvet covers only):  Zipper  Button Fabric:  Use Face Fabric  Use Back Fabric  Use Other Fabric: \_\_\_\_\_

Choose Tufting (comforters only):  Hand-Tacked  Button-Tufted: Button Fabric:  Use Face Fabric  Use Back Fabric  Use Other Fabric: \_\_\_\_\_

### Add Upgrades (optional):

3. Edge Finish:  A: Add Cord  B: Add Small Welt  C: Add Medium Welt  D: Add Medium Ruched Welt  
 E: Add Large Ruched Welt  F: Add Flange

Edge Trimming (Upgrade A):  
 Cord Vendor:  Eastern Accents  C.O.M. (Vendor Name: \_\_\_\_\_ )  
 Cord Code: \_\_\_\_\_ Yardage Needed: \_\_\_\_\_ yds

Edge Fabric (Upgrade B, C, D, E, and F):  
 Fabric Vendor:  Eastern Accents  C.O.M. (Vendor Name: \_\_\_\_\_ )  
 Fabric Code: \_\_\_\_\_ Fabric Width: \_\_\_\_\_"  Railroaded  Up the Roll/Solid  
 Repeat: V: \_\_\_\_\_" H: \_\_\_\_\_" Yardage Needed: \_\_\_\_\_ yds

4. Face Finish:  I: Add Cord or Gimp  J: Add Small Welt  K: Add Cuff

Face Trimming (Upgrade I):  
 Cord or Gimp Vendor:  Eastern Accents  C.O.M. (Vendor Name: \_\_\_\_\_ )  
 Cord or Gimp Code: \_\_\_\_\_ Yardage Needed: \_\_\_\_\_ yds

Face Fabric (Upgrade J and K):  
 Fabric Vendor:  Eastern Accents  C.O.M. (Vendor Name: \_\_\_\_\_ )  
 Fabric Code: \_\_\_\_\_ Fabric Width: \_\_\_\_\_"  Railroaded  Up the Roll/Solid  
 Repeat: V: \_\_\_\_\_" H: \_\_\_\_\_" Yardage Needed: \_\_\_\_\_ yds

### Special Instructions:

\_\_\_\_\_

\_\_\_\_\_

To place your order, please sign below and email/fax this worksheet to: Custom@EasternAccents.com/800.998.3278.

Company Name: \_\_\_\_\_ Account #: \_\_\_\_\_

Phone: \_\_\_\_\_ Fax: \_\_\_\_\_ Email: \_\_\_\_\_

Signature: \_\_\_\_\_ Date: \_\_\_\_\_

Custom items cannot be exchanged and are non-returnable and non-refundable.



# Duvet Cover & Comforter Yardage Chart - Solid Up the Roll

## 1. Face Fabric (Up the Roll or Solid Fabric) 54" - 58" Fabric Width

Round up to whole number	Daybed	Twin	Full	Queen	Super Queen	King	Super King	Cal King
0"-9" Vertical Repeat	4 yds	6 yds	6 yds	6 yds	6.5 yds	6 yds	9.5 yds	6.5 yds
10"-18" Vertical Repeat	4.5 yds	6.25 yds	6.25 yds	6.25 yds	6.75 yds	6.25 yds	10 yds	6.75 yds
19"-27" Vertical Repeat	5.25 yds	6.5 yds	6.5 yds	6.5 yds	7 yds	6.5 yds	10.5 yds	7 yds
28"-36" Vertical Repeat	4.75 yds	6.75 yds	6.75 yds	6.75 yds	7.25 yds	6.75 yds	11 yds	7.25 yds

## 2a. Back Fabric (Up the Roll or Solid Fabric) 54" - 58" Fabric Width

Round up to whole number	Daybed	Twin	Full	Queen	Super Queen	King	Super King	Cal King
0"-9" Vertical Repeat	4 yds	6 yds	6 yds	6 yds	6.5 yds	6 yds	9.5 yds	6.5 yds
10"-18" Vertical Repeat	4.25 yds	6.25 yds	6.25 yds	6.25 yds	6.75 yds	6.25 yds	10 yds	6.75 yds
19"-27" Vertical Repeat	4.5 yds	6.5 yds	6.5 yds	6.5 yds	7 yds	6.5 yds	10.5 yds	7 yds
28"-36" Vertical Repeat	4.75 yds	6.75 yds	6.75 yds	6.75 yds	7.25 yds	6.75 yds	11 yds	7.25 yds

## 2b. Back Fabric (Railroaded Fabric) 54" - 58" Fabric Width

Round up to whole number	Daybed	Twin	Full	Queen	Super Queen	King	Super King	Cal King
0"-9" Vertical Repeat	3.75 yds	4.5 yds	5.25 yds	5.75 yds	6.25 yds	6.5 yds	7.25 yds	6.75 yds
10"-18" Vertical Repeat	4 yds	4.75 yds	5.5 yds	6 yds	6.5 yds	6.75 yds	7.5 yds	7 yds
19"-27" Vertical Repeat	4.25 yds	5 yds	5.75 yds	6.25 yds	6.75 yds	7 yds	7.75 yds	7.25 yds
28"-36" Vertical Repeat	4.5 yds	5.25 yds	6 yds	6.5 yds	7 yds	7.25 yds	8 yds	7.5 yds

## Button Fabric (Up the Roll, Solid, or Railroaded Fabric) 54" - 58" Fabric Width

Daybed	Twin	Full	Queen	Super Queen	King	Super King	Cal King
.25 yd	.25 yd	.25 yd	.25 yd	.25 yd	.25 yd	.25 yd	.25 yd

## Yardage Requirements for Upgrades

### 3. Edge Finish 54" - 58" Fabric Width for Welt and Flange Upgrades

	Daybed	Twin	Full	Queen	Super Queen	King	Super King	Cal King
Add Cord	6.5 yds	7.5 yds	8 yds	8.25 yds	9 yds	8.75 yds	9.5 yds	9.25 yds
Add Small/Medium Welt	2 yds	2 yds	2 yds	2 yds	2.5 yds	2.5 yds	2.5 yds	2.5 yds
Add Medium Ruched Welt	1.5 yds	1.75 yds	1.75 yds	1.75 yds	2 yds	2 yds	2 yds	2 yds
Add Large Ruched Welt	2 yds	2.25 yds	2.25 yds	2.25 yds	2.5 yds	2.5 yds	2.5 yds	2.5 yds
Add Flange	1.5 yds	1.5 yds	1.75 yds	1.75 yds	1.75 yds	1.75 yds	2 yds	2 yds

### 4. Face Finish 54" - 58" Fabric Width for Welt and Cuff Upgrades

	Daybed	Twin	Full	Queen	Super Queen	King	Super King	Cal King
Add Cord or Gimp	4 yds	6 yds	6 yds	6 yds	6.5 yds	6 yds	6.5 yds	6.75 yds
Add Small Welt	2 yds	2 yds	2 yds	2 yds	2 yds	2 yds	2 yds	2 yds
Add Cuff	1 yd	1 yd	1 yd	1 yd	1 yd	1 yd	1 yd	1 yd

## Calculate Your Custom Product Cost

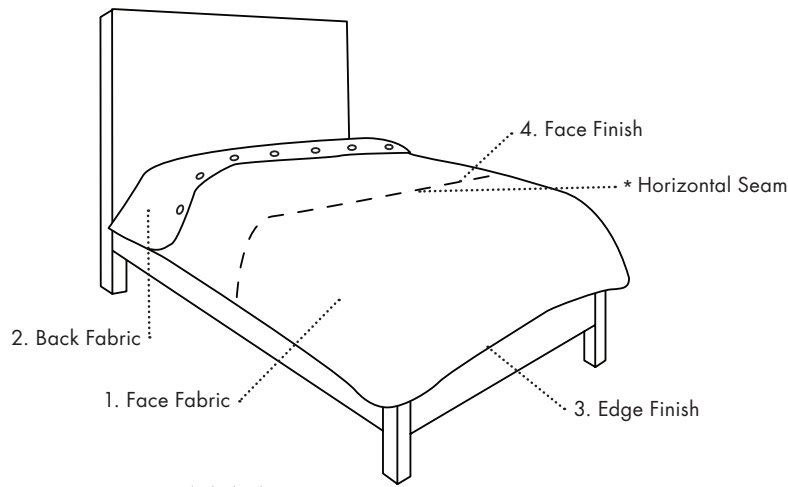
Base and Upgrade Charges
Base Charge: \$ _____
Edge Finish Upgrade Charges: \$ _____
Face Finish Upgrade Charges: \$ _____
Other Upgrade Charges: \$ _____

+

Material Costs
Face Fabric Cost: \$ _____
Back Fabric Cost: \$ _____
Edge Finish Cost: \$ _____
Face Finish Cost: \$ _____

= Total Cost  
\$ \_\_\_\_\_

# Duvet Cover & Comforter (1" batting) - Solid Railroaded



Duvet Cover Base Charge: \$130  
 Comforter Base Charge: \$180

### Upgrade Options

#### Edge Finish

- A. Add Cord (p.70) \$20
- B. Add Small Welt (p.70) \$20
- C. Add Medium Welt (p.70) \$20
- D. Add Medium Ruched Welt (p.70) \$20
- E. Add Large Ruched Welt (p.70) \$20
- F. Add Flange (p.70) \$20

#### Face Finish

- I. Add Cord or Gimp (p.71) \$20
- J. Add Small Welt (p.71) \$20
- K. Add Cuff (p.71) \$20

#### Other

Down and Faux Down (p.78)

Duvet cover insert is not included, please see page 79.

Choose Product:  Duvet Cover  Comforter

Choose Size\*:  Daybed (99"x52")  Twin (63"x88")  Full (78"x88")  Queen (88"x90")  Super Queen (96"x98")  
 King (102"x90")  Super King (114"x98")  Cal King (104"x100") \*Call for custom size information.

Choose Quantity: \_\_\_\_\_

### Choose Fabric:

1. Face Fabric: Fabric Vendor:  Eastern Accents  C.O.M. (Vendor Name: \_\_\_\_\_)  
 Fabric Code: \_\_\_\_\_ Fabric Width: \_\_\_\_\_"  Railroaded Only (pattern will run vertically, p.4)  
 Repeat: V: \_\_\_\_\_" H: \_\_\_\_\_" Yardage Needed: \_\_\_\_\_ yds

2. Back Fabric: Fabric Vendor:  Eastern Accents  C.O.M. (Vendor Name: \_\_\_\_\_)  
 Fabric Code: \_\_\_\_\_ Fabric Width: \_\_\_\_\_"  Railroaded:  Vertical (2b)  Horizontal (2a)  Up the Roll/Solid  
 Repeat: V: \_\_\_\_\_" H: \_\_\_\_\_" Yardage Needed: \_\_\_\_\_ yds

Choose Closure (duvet covers only):  Zipper  Button Fabric:  Use Face Fabric  Use Back Fabric  Use Other Fabric: \_\_\_\_\_

Choose Tufting (comforters only):  Hand-Tacked  Button-Tufted: Button Fabric:  Use Face Fabric  Use Back Fabric  Use Other Fabric: \_\_\_\_\_

### Add Upgrades (optional):

3. Edge Finish:  A: Add Cord  B: Add Small Welt  C: Add Medium Welt  D: Add Medium Ruched Welt  
 E: Add Large Ruched Welt  F: Add Flange

Edge Trimming (Upgrade A):  
 Cord Vendor:  Eastern Accents  C.O.M. (Vendor Name: \_\_\_\_\_)  
 Cord Code: \_\_\_\_\_ Yardage Needed: \_\_\_\_\_ yds

Edge Fabric (Upgrade B, C, D, E, and F):  
 Fabric Vendor:  Eastern Accents  C.O.M. (Vendor Name: \_\_\_\_\_)  
 Fabric Code: \_\_\_\_\_ Fabric Width: \_\_\_\_\_"  Railroaded  Up the Roll/Solid  
 Repeat: V: \_\_\_\_\_" H: \_\_\_\_\_" Yardage Needed: \_\_\_\_\_ yds

4. Face Finish:  I: Add Cord or Gimp  J: Add Small Welt  K: Add Cuff

Face Trimming (Upgrade I):  
 Cord or Gimp Vendor:  Eastern Accents  C.O.M. (Vendor Name: \_\_\_\_\_)  
 Cord or Gimp Code: \_\_\_\_\_ Yardage Needed: \_\_\_\_\_ yds

Face Fabric (Upgrade J and K):  
 Fabric Vendor:  Eastern Accents  C.O.M. (Vendor Name: \_\_\_\_\_)  
 Fabric Code: \_\_\_\_\_ Fabric Width: \_\_\_\_\_"  Railroaded  Up the Roll/Solid  
 Repeat: V: \_\_\_\_\_" H: \_\_\_\_\_" Yardage Needed: \_\_\_\_\_ yds

### Special Instructions:

\_\_\_\_\_

To place your order, please sign below and email/fax this worksheet to: Custom@EasternAccents.com/800.998.3278.

Company Name: \_\_\_\_\_ Account #: \_\_\_\_\_

Phone: \_\_\_\_\_ Fax: \_\_\_\_\_ Email: \_\_\_\_\_

Signature: \_\_\_\_\_ Date: \_\_\_\_\_

Custom items cannot be exchanged and are non-returnable and non-refundable.

# Duvet Cover & Comforter Yardage Chart - Solid Railroaded

## 1. Face Fabric (Railroaded Fabric) 54" - 58" Fabric Width

Round up to whole number	Daybed	Twin	Full	Queen	Super Queen	King	Super King	Cal King
0"-9" Vertical Repeat	3.75 yds	4.5 yds	5.25 yds	5.75 yds	6.25 yds	6.5 yds	7.25 yds	6.75 yds
10"-18" Vertical Repeat	4 yds	4.75 yds	5.5 yds	6 yds	6.5 yds	6.75 yds	7.5 yds	7 yds
19"-27" Vertical Repeat	4.25 yds	5 yds	5.75 yds	6.25 yds	6.75 yds	7 yds	7.75 yds	7.25 yds
28"-36" Vertical Repeat	4.5 yds	5.25 yds	6 yds	6.5 yds	7 yds	7.25 yds	8 yds	7.5 yds

## 2a. Back Fabric (Up the Roll or Solid Fabric) 54" - 58" Fabric Width

Round up to whole number	Daybed	Twin	Full	Queen	Super Queen	King	Super King	Cal King
0"-9" Vertical Repeat	4 yds	6 yds	6 yds	6 yds	6.5 yds	6 yds	9.5 yds	6.5 yds
10"-18" Vertical Repeat	4.25 yds	6.25 yds	6.25 yds	6.25 yds	6.75 yds	6.25 yds	10 yds	6.75 yds
19"-27" Vertical Repeat	4.5 yds	6.5 yds	6.5 yds	6.5 yds	7 yds	6.5 yds	10.5 yds	7 yds
28"-36" Vertical Repeat	4.75 yds	6.75 yds	6.75 yds	6.75 yds	7.25 yds	6.75 yds	11 yds	7.25 yds

## 2b. Back Fabric (Railroaded Fabric) 54" - 58" Fabric Width

Round up to whole number	Daybed	Twin	Full	Queen	Super Queen	King	Super King	Cal King
0"-9" Vertical Repeat	3.75 yds	4.5 yds	5.25 yds	5.75 yds	6.25 yds	6.5 yds	7.25 yds	6.75 yds
10"-18" Vertical Repeat	4 yds	4.75 yds	5.5 yds	6 yds	6.5 yds	6.75 yds	7.5 yds	7 yds
19"-27" Vertical Repeat	4.25 yds	5 yds	5.75 yds	6.25 yds	6.75 yds	7 yds	7.75 yds	7.25 yds
28"-36" Vertical Repeat	4.5 yds	5.25 yds	6 yds	6.5 yds	7 yds	7.25 yds	8 yds	7.5 yds

## Button Fabric (Up the Roll, Solid, or Railroaded Fabric) 54" - 58" Fabric Width

Daybed	Twin	Full	Queen	Super Queen	King	Super King	Cal King
.25 yd	.25 yd	.25 yd	.25 yd	.25 yd	.25 yd	.25 yd	.25 yd

## Yardage Requirements for Upgrades

### 3. Edge Finish 54" - 58" Fabric Width for Welt and Flange Upgrades

	Daybed	Twin	Full	Queen	Super Queen	King	Super King	Cal King
Add Cord	6.5 yds	7.5 yds	8 yds	8.25 yds	9 yds	8.75 yds	9.5 yds	9.25 yds
Add Small/Medium Welt	2 yds	2 yds	2 yds	2 yds	2.5 yds	2.5 yds	2.5 yds	2.5 yds
Add Medium Ruched Welt	1.5 yds	1.75 yds	1.75 yds	1.75 yds	2 yds	2 yds	2 yds	2 yds
Add Large Ruched Welt	2 yds	2.25 yds	2.25 yds	2.25 yds	2.5 yds	2.5 yds	2.5 yds	2.5 yds
Add Flange	1.5 yds	1.5 yds	1.75 yds	1.75 yds	1.75 yds	1.75 yds	2 yds	2 yds

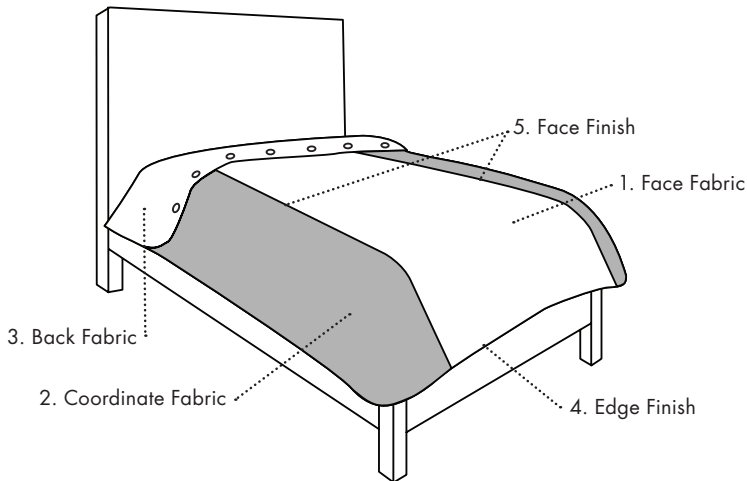
### 4. Face Finish 54" - 58" Fabric Width for Welt and Cuff Upgrades

	Daybed	Twin	Full	Queen	Super Queen	King	Super King	Cal King
Add Cord or Gimp	3.5 yds	2.5 yds	3 yds	3.25 yds	3.5 yds	3.75 yds	4 yds	3.75 yds
Add Small Welt	1.5 yds	1.5 yds	1.5 yds	1.5 yds	1.5 yds	1.5 yds	1.5 yds	1.5 yds
Add Cuff	0.75 yd	0.75 yd	0.75 yd	0.75 yd	0.75 yd	0.75 yd	1 yd	0.75 yd

## Calculate Your Custom Product Cost

Base and Upgrade Charges		Material Costs		Total Cost
Base Charge: \$ _____	+	Face Fabric Cost: \$ _____	=	\$ _____
Edge Finish Upgrade Charges: \$ _____		Back Fabric Cost: \$ _____		
Face Finish Upgrade Charges: \$ _____		Edge Finish Cost: \$ _____		
Other Upgrade Charges: \$ _____		Face Finish Cost: \$ _____		

# Duvet Cover & Comforter (1" batting) - Insert



Duvet Cover Base Charge: \$130  
 Comforter Base Charge: \$180

## Upgrade Options

### Edge Finish

- A. Add Cord (p.70) \$20
- B. Add Small Welt (p.70) \$20
- C. Add Medium Welt (p.70) \$20
- D. Add Medium Ruched Welt (p.70) \$20
- E. Add Large Ruched Welt (p.70) \$20
- F. Add Flange (p.70) \$20

### Face Finish

- I. Add Cord or Gimp (p.71) \$20
- J. Add Small Welt (p.71) \$20
- K. Add Cuff (p.71) \$20

### Other

Down and Faux Down (p.78)

Duvet cover insert is not included, please see page 79.

- Choose Product:  Duvet Cover  Comforter
- Choose Size\*:  Daybed (99"x52")  Twin (63"x88")  Full (78"x88")  Queen (88"x90")  Super Queen (96"x98")  
 King (102"x90")  Super King (114"x98")  Cal King (104"x100") \*Call for custom size information.

Choose Quantity: \_\_\_\_\_

### Choose Fabric:

1. Face Fabric: Fabric Vendor:  Eastern Accents  C.O.M. (Vendor Name: \_\_\_\_\_)  
 Fabric Code: \_\_\_\_\_ Fabric Width: \_\_\_\_\_"  Up the Roll or Solid Only (railroaded fabric pattern will run horizontally, p.4)  
 Repeat: V: \_\_\_\_\_" H: \_\_\_\_\_" Yardage Needed: \_\_\_\_\_ yds
2. Coordinate Fabric: Fabric Vendor:  Eastern Accents  C.O.M. (Vendor Name: \_\_\_\_\_)  
 Fabric Code: \_\_\_\_\_ Fabric Width: \_\_\_\_\_"  Up the Roll or Solid Only (railroaded fabric pattern will run horizontally, p.4)  
 Repeat: V: \_\_\_\_\_" H: \_\_\_\_\_" Yardage Needed: \_\_\_\_\_ yds
3. Back Fabric: Fabric Vendor:  Eastern Accents  C.O.M. (Vendor Name: \_\_\_\_\_)  
 Fabric Code: \_\_\_\_\_ Fabric Width: \_\_\_\_\_"  Railroaded:  Vertical (3b)  Horizontal (3a)  Up the Roll/Solid  
 Repeat: V: \_\_\_\_\_" H: \_\_\_\_\_" Yardage Needed: \_\_\_\_\_ yds

Choose Closure (duvet covers only):  Zipper  Button Fabric:  Use Face Fabric  Use Back Fabric  Use Other Fabric: \_\_\_\_\_

Choose Tufting (comforters only):  Hand-Tacked  Button-Tufted: Button Fabric:  Use Face Fabric  Use Back Fabric  Use Other Fabric: \_\_\_\_\_

### Add Upgrades (optional):

4. Edge Finish:  A: Add Cord  B: Add Small Welt  C: Add Medium Welt  D: Add Medium Ruched Welt  
 E: Add Large Ruched Welt  F: Add Flange

#### Edge Trimming (Upgrade A):

Cord Vendor:  Eastern Accents  C.O.M. (Vendor Name: \_\_\_\_\_)  
 Cord Code: \_\_\_\_\_ Yardage Needed: \_\_\_\_\_ yds

#### Edge Fabric (Upgrade B, C, D, E, and F):

Fabric Vendor:  Eastern Accents  C.O.M. (Vendor Name: \_\_\_\_\_)  
 Fabric Code: \_\_\_\_\_ Fabric Width: \_\_\_\_\_"  Railroaded  Up the Roll/Solid  
 Repeat: V: \_\_\_\_\_" H: \_\_\_\_\_" Yardage Needed: \_\_\_\_\_ yds

5. Face Finish:  I: Add Cord or Gimp  J: Add Small Welt  K: Add Cuff

#### Face Trimming (Upgrade I):

Cord or Gimp Vendor:  Eastern Accents  C.O.M. (Vendor Name: \_\_\_\_\_)  
 Cord or Gimp Code: \_\_\_\_\_ Yardage Needed: \_\_\_\_\_ yds

#### Face Fabric (Upgrade J and K):

Fabric Vendor:  Eastern Accents  C.O.M. (Vendor Name: \_\_\_\_\_)  
 Fabric Code: \_\_\_\_\_ Fabric Width: \_\_\_\_\_"  Railroaded  Up the Roll/Solid  
 Repeat: V: \_\_\_\_\_" H: \_\_\_\_\_" Yardage Needed: \_\_\_\_\_ yds

### Special Instructions:

To place your order, please sign below and email/fax this worksheet to: Custom@EasternAccents.com/800.998.3278.

Company Name: \_\_\_\_\_ Account #: \_\_\_\_\_

Phone: \_\_\_\_\_ Fax: \_\_\_\_\_ Email: \_\_\_\_\_

Signature: \_\_\_\_\_ Date: \_\_\_\_\_

Custom items cannot be exchanged and are non-returnable and non-refundable.

Do not send C.O.M. fabrics or trimmings prior to receiving your order confirmation number.

# Duvet Cover & Comforter Yardage Chart - Insert

## 1. Face Fabric (Up the Roll or Solid Fabric) 54" - 58" Fabric Width

	Daybed	Twin	Full	Queen	Super Queen	King	Super King	Cal King
Any Repeat	2.25 yds	3.25 yds	3.25 yds	3.25 yds	3.5 yds	3.25 yds	3.5 yds	3.5 yds

## 2. Coordinate Fabric (Up the Roll or Solid Fabric) 54" - 58" Fabric Width

Round up to whole number	Daybed	Twin	Full	Queen	Super Queen	King	Super King	Cal King
0"-9" Vertical Repeat	2.25 yds	3.25 yds	3.25 yds	3.25 yds	3.5 yds	3.25 yds	6.5 yds	3.5 yds
10"-18" Vertical Repeat	2.25 yds	3.25 yds	3.25 yds	3.25 yds	3.5 yds	3.25 yds	6.75 yds	3.5 yds
19"-27" Vertical Repeat	2.25 yds	3.25 yds	3.25 yds	3.25 yds	3.5 yds	3.25 yds	7 yds	3.5 yds
28"-36" Vertical Repeat	2.25 yds	3.25 yds	3.25 yds	3.25 yds	3.5 yds	3.25 yds	7.25 yds	3.5 yds

## 3a. Back Fabric (Up the Roll or Solid Fabric) 54" - 58" Fabric Width

Round up to whole number	Daybed	Twin	Full	Queen	Super Queen	King	Super King	Cal King
0"-9" Vertical Repeat	4 yds	6 yds	6 yds	6 yds	6.5 yds	6 yds	9.5 yds	6.5 yds
10"-18" Vertical Repeat	4.25 yds	6.25 yds	6.25 yds	6.25 yds	6.75 yds	6.25 yds	10 yds	6.75 yds
19"-27" Vertical Repeat	4.5 yds	6.5 yds	6.5 yds	6.5 yds	7 yds	6.5 yds	10.5 yds	7 yds
28"-36" Vertical Repeat	4.75 yds	6.75 yds	6.75 yds	6.75 yds	7.25 yds	6.75 yds	11 yds	7.25 yds

## 3b. Back Fabric (Railroaded Fabric) 54" - 58" Fabric Width

Round up to whole number	Daybed	Twin	Full	Queen	Super Queen	King	Super King	Cal King
0"-9" Vertical Repeat	3.75 yds	4.5 yds	5.25 yds	5.75 yds	6.25 yds	6.5 yds	7.25 yds	6.75 yds
10"-18" Vertical Repeat	4 yds	4.75 yds	5.5 yds	6 yds	6.5 yds	6.75 yds	7.5 yds	7 yds
19"-27" Vertical Repeat	4.25 yds	5 yds	5.75 yds	6.25 yds	6.75 yds	7 yds	7.75 yds	7.25 yds
28"-36" Vertical Repeat	4.5 yds	5.25 yds	6 yds	6.5 yds	7 yds	7.25 yds	8 yds	7.5 yds

## Button Fabric (Up the Roll, Solid, or Railroaded Fabric) 54" - 58" Fabric Width

Daybed	Twin	Full	Queen	Super Queen	King	Super King	Cal King
.25 yd	.25 yd	.25 yd	.25 yd	.25 yd	.25 yd	.25 yd	.25 yd

## Yardage Requirements for Upgrades

### 4. Edge Finish 54" - 58" Fabric Width for Welt and Flange Upgrades

	Daybed	Twin	Full	Queen	Super Queen	King	Super King	Cal King
Add Cord	6.5 yds	7.5 yds	8 yds	8.25 yds	9 yds	8.75 yds	9.5 yds	9.25 yds
Add Small/Medium Welt	2 yds	2 yds	2 yds	2 yds	2.5 yds	2.5 yds	2.5 yds	2.5 yds
Add Medium Ruched Welt	1.5 yds	1.75 yds	1.75 yds	1.75 yds	2 yds	2 yds	2 yds	2 yds
Add Large Ruched Welt	2 yds	2.25 yds	2.25 yds	2.25 yds	2.5 yds	2.5 yds	2.5 yds	2.5 yds
Add Flange	1.5 yds	1.5 yds	1.75 yds	1.75 yds	1.75 yds	1.75 yds	2 yds	2 yds

### 5. Face Finish 54" - 58" Fabric Width for Welt and Cuff Upgrades

	Daybed	Twin	Full	Queen	Super Queen	King	Super King	Cal King
Add Cord or Gimp	4 yds	6 yds	6 yds	6 yds	6.5 yds	6 yds	6.5 yds	6.75 yds
Add Small Welt	2 yds	2 yds	2 yds	2 yds	2 yds	2 yds	2 yds	2 yds
Add Cuff	1 yd	1 yd	1 yd	1 yd	1 yd	1 yd	1 yd	1 yd

## Calculate Your Custom Product Cost

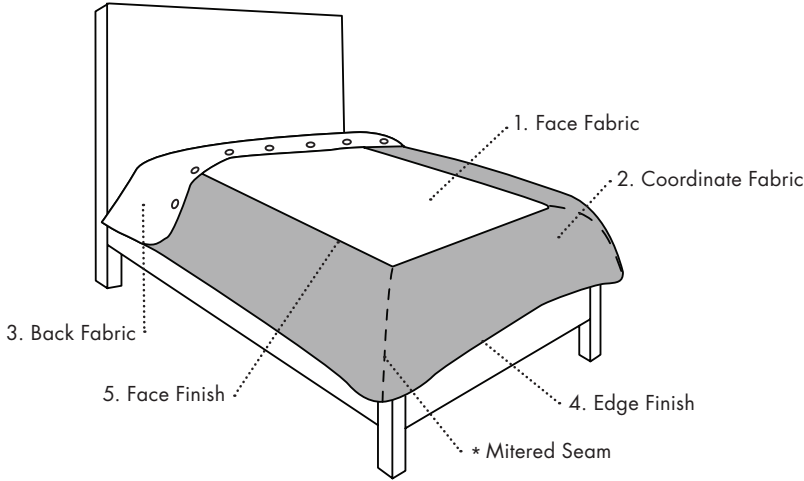
Base and Upgrade Charges
Base Charge: \$ _____
Edge Finish Upgrade Charges: \$ _____
Face Finish Upgrade Charges: \$ _____
Other Upgrade Charges: \$ _____

+

Material Costs
Face Fabric Cost: \$ _____
Coordinate Fabric Cost: \$ _____
Back Fabric Cost: \$ _____
Edge Finish Cost: \$ _____
Face Finish Cost: \$ _____

Total Cost  
= \$ \_\_\_\_\_

# Duvet Cover & Comforter (1" batting) - Mitered



Duvet Cover Base Charge: \$245

Comforter Base Charge: \$295

## Upgrade Options

### Edge Finish

- A. Add Cord (p.70) \$20
- B. Add Small Welt (p.70) \$20
- C. Add Medium Welt (p.70) \$20
- D. Add Medium Ruched Welt (p.70) \$20
- E. Add Large Ruched Welt (p.70) \$20
- F. Add Flange (p.70) \$20

### Face Finish

- I. Add Cord or Gimp (p.71) \$20
- J. Add Small Welt (p.71) \$20
- K. Add Cuff (p.71) \$20

### Other

Down and Faux Down (p.78)

Duvet cover insert is not included, please see page 79.

- Choose Product:  Duvet Cover  Comforter
- Choose Size\*:  Daybed (99"x52")  Twin (63"x88")  Full (78"x88")  Queen (88"x90")  Super Queen (96"x98")  
 King (102"x90")  Super King (114"x98")  Cal King (104"x100") \*Call for custom size information.

Choose Quantity: \_\_\_\_\_

### Choose Fabric:

1. Face Fabric: Fabric Vendor:  Eastern Accents  C.O.M. (Vendor Name: \_\_\_\_\_)  
 Fabric Code: \_\_\_\_\_ Fabric Width: \_\_\_\_\_"  Up the Roll or Solid Only (railroaded fabric pattern will run horizontally, p.4)  
 Repeat: V: \_\_\_\_\_" H: \_\_\_\_\_" Yardage Needed: \_\_\_\_\_ yds
2. Coordinate Fabric: Fabric Vendor:  Eastern Accents  C.O.M. (Vendor Name: \_\_\_\_\_)  
 Fabric Code: \_\_\_\_\_ Fabric Width: \_\_\_\_\_"  Up the Roll or Solid Only (railroaded fabric pattern will run horizontally, p.4)  
 Repeat: V: \_\_\_\_\_" H: \_\_\_\_\_" Yardage Needed: \_\_\_\_\_ yds
3. Back Fabric: Fabric Vendor:  Eastern Accents  C.O.M. (Vendor Name: \_\_\_\_\_)  
 Fabric Code: \_\_\_\_\_ Fabric Width: \_\_\_\_\_"  Railroaded:  Vertical (3b)  Horizontal (3a)  Up the Roll/Solid  
 Repeat: V: \_\_\_\_\_" H: \_\_\_\_\_" Yardage Needed: \_\_\_\_\_ yds

Choose Closure (duvet covers only):  Zipper  Button Fabric:  Use Face Fabric  Use Back Fabric  Use Other Fabric: \_\_\_\_\_

Choose Tufting (comforters only):  Hand-Tacked  Button-Tufted: Button Fabric:  Use Face Fabric  Use Back Fabric  Use Other Fabric: \_\_\_\_\_

### Add Upgrades (optional):

4. Edge Finish:  A: Add Cord  B: Add Small Welt  C: Add Medium Welt  D: Add Medium Ruched Welt  
 E: Add Large Ruched Welt  F: Add Flange

#### Edge Trimming (Upgrade A):

Cord Vendor:  Eastern Accents  C.O.M. (Vendor Name: \_\_\_\_\_)  
 Cord Code: \_\_\_\_\_ Yardage Needed: \_\_\_\_\_ yds

#### Edge Fabric (Upgrade B, C, D, E, and F):

Fabric Vendor:  Eastern Accents  C.O.M. (Vendor Name: \_\_\_\_\_)  
 Fabric Code: \_\_\_\_\_ Fabric Width: \_\_\_\_\_"  Railroaded  Up the Roll/Solid  
 Repeat: V: \_\_\_\_\_" H: \_\_\_\_\_" Yardage Needed: \_\_\_\_\_ yds

5. Face Finish:  I: Add Cord or Gimp  J: Add Small Welt  K: Add Cuff

#### Face Trimming (Upgrade I):

Cord or Gimp Vendor:  Eastern Accents  C.O.M. (Vendor Name: \_\_\_\_\_)  
 Cord or Gimp Code: \_\_\_\_\_ Yardage Needed: \_\_\_\_\_ yds

#### Face Fabric (Upgrade J and K):

Fabric Vendor:  Eastern Accents  C.O.M. (Vendor Name: \_\_\_\_\_)  
 Fabric Code: \_\_\_\_\_ Fabric Width: \_\_\_\_\_"  Railroaded  Up the Roll/Solid  
 Repeat: V: \_\_\_\_\_" H: \_\_\_\_\_" Yardage Needed: \_\_\_\_\_ yds

### Special Instructions:

To place your order, please sign below and email/fax this worksheet to: Custom@EasternAccents.com/800.998.3278.

Company Name: \_\_\_\_\_ Account #: \_\_\_\_\_

Phone: \_\_\_\_\_ Fax: \_\_\_\_\_ Email: \_\_\_\_\_

Signature: \_\_\_\_\_ Date: \_\_\_\_\_

Custom items cannot be exchanged and are non-returnable and non-refundable.

# Duvet Cover & Comforter Yardage Chart - Mitered

## 1. Face Fabric (Up the Roll or Solid Fabric) 54" - 58" Fabric Width

	Daybed	Twin	Full	Queen	Super Queen	King	Super King	Cal King
Any Repeat	1.5 yds	2.75 yds	2.75 yds	2.75 yds	2.75 yds	2.5 yds	2.5 yds	2.75 yds

## 2. Coordinate Fabric (Up the Roll or Solid Fabric) 54" - 58" Fabric Width

Round up to whole number	Daybed	Twin	Full	Queen	Super Queen	King	Super King	Cal King
0"-9" Vertical Repeat	4 yds	3.25 yds	3.25 yds	3.5 yds	6.5 yds	6 yds	10 yds	6.5 yds
10"-18" Vertical Repeat	4.25 yds	3.25 yds	3.25 yds	3.75 yds	6.75 yds	6.25 yds	10.5 yds	6.75 yds
19"-27" Vertical Repeat	4.5 yds	3.25 yds	3.5 yds	4 yds	7 yds	6.5 yds	11 yds	7 yds
28"-36" Vertical Repeat	4.75 yds	3.5 yds	3.75 yds	4.25 yds	7.25 yds	6.75 yds	11.5 yds	7.25 yds

## 3a. Back Fabric (Up the Roll or Solid Fabric) 54" - 58" Fabric Width

Round up to whole number	Daybed	Twin	Full	Queen	Super Queen	King	Super King	Cal King
0"-9" Vertical Repeat	4 yds	6 yds	6 yds	6 yds	6.5 yds	6 yds	9.5 yds	6.5 yds
10"-18" Vertical Repeat	4.25 yds	6.25 yds	6.25 yds	6.25 yds	6.75 yds	6.25 yds	10 yds	6.75 yds
19"-27" Vertical Repeat	4.5 yds	6.5 yds	6.5 yds	6.5 yds	7 yds	6.5 yds	10.5 yds	7 yds
28"-36" Vertical Repeat	4.75 yds	6.75 yds	6.75 yds	6.75 yds	7.25 yds	6.75 yds	11 yds	7.25 yds

## 3b. Back Fabric (Railroaded Fabric) 54" - 58" Fabric Width

Round up to whole number	Daybed	Twin	Full	Queen	Super Queen	King	Super King	Cal King
0"-9" Vertical Repeat	3.75 yds	4.5 yds	5.25 yds	5.75 yds	6.25 yds	6.5 yds	7.25 yds	6.75 yds
10"-18" Vertical Repeat	4 yds	4.75 yds	5.5 yds	6 yds	6.5 yds	6.75 yds	7.5 yds	7 yds
19"-27" Vertical Repeat	4.25 yds	5 yds	5.75 yds	6.25 yds	6.75 yds	7 yds	7.75 yds	7.25 yds
28"-36" Vertical Repeat	4.5 yds	5.25 yds	6 yds	6.5 yds	7 yds	7.25 yds	8 yds	7.5 yds

## Button Fabric (Up the Roll, Solid, or Railroaded Fabric) 54" - 58" Fabric Width

Daybed	Twin	Full	Queen	Super Queen	King	Super King	Cal King
.25 yd	.25 yd	.25 yd	.25 yd	.25 yd	.25 yd	.25 yd	.25 yd

## Yardage Requirements for Upgrades

### 4. Edge Finish 54" - 58" Fabric Width for Welt and Flange Upgrades

	Daybed	Twin	Full	Queen	Super Queen	King	Super King	Cal King
Add Cord	6.5 yds	7.5 yds	8 yds	8.25 yds	9 yds	8.75 yds	9.5 yds	9.25 yds
Add Small/Medium Welt	2 yds	2 yds	2 yds	2 yds	2.5 yds	2.5 yds	2.5 yds	2.5 yds
Add Medium Ruched Welt	1.5 yds	1.75 yds	1.75 yds	1.75 yds	2 yds	2 yds	2 yds	2 yds
Add Large Ruched Welt	2 yds	2.25 yds	2.25 yds	2.25 yds	2.5 yds	2.5 yds	2.5 yds	2.5 yds
Add Flange	1.5 yds	1.5 yds	1.75 yds	1.75 yds	1.75 yds	1.75 yds	2 yds	2 yds

### 5. Face Finish 54" - 58" Fabric Width for Welt and Cuff Upgrades

	Daybed	Twin	Full	Queen	Super Queen	King	Super King	Cal King
Add Cord or Gimp	4 yds	6.25 yds	6.75 yds	6.5 yds	6.75 yds	6 yds	6.25 yds	6.75 yds
Add Small Welt	2 yds	2 yds	2 yds	2 yds	2 yds	2 yds	2 yds	2 yds
Add Cuff	1.25 yds	1.25 yds	1.25 yds	1.25 yds	1.25 yds	1.25 yds	1.25 yds	1.25 yds

## Calculate Your Custom Product Cost

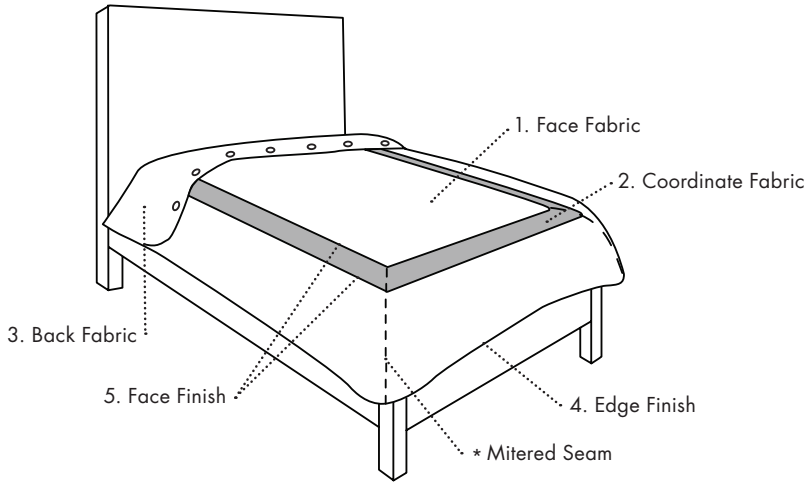
Base and Upgrade Charges
Base Charge: \$ _____
Edge Finish Upgrade Charges: \$ _____
Face Finish Upgrade Charges: \$ _____
Other Upgrade Charges: \$ _____

+

Material Costs
Face Fabric Cost: \$ _____
Coordinate Fabric Cost: \$ _____
Back Fabric Cost: \$ _____
Edge Finish Cost: \$ _____
Face Finish Cost: \$ _____

= Total Cost  
\$ \_\_\_\_\_

# Duvet Cover & Comforter (1" batting) - Mitered Insert



Duvet Cover Base Charge: \$245

Comforter Base Charge: \$295

### Upgrade Options

#### Edge Finish

- A. Add Cord (p.70) \$20
- B. Add Small Welt (p.70) \$20
- C. Add Medium Welt (p.70) \$20
- D. Add Medium Ruched Welt (p.70) \$20
- E. Add Large Ruched Welt (p.70) \$20
- F. Add Flange (p.70) \$20

#### Face Finish

- I. Add Cord or Gimp (p.71) \$20
- J. Add Small Welt (p.71) \$20

#### Other

Down and Faux Down (p.78)

Duvet cover insert is not included, please see page 79.

- Choose Product:  Duvet Cover  Comforter
- Choose Size\*:  Daybed (99"x52")  Twin (63"x88")  Full (78"x88")  Queen (88"x90")  Super Queen (96"x98")  
 King (102"x90")  Super King (114"x98")  Cal King (104"x100") \*Call for custom size information.

Choose Quantity: \_\_\_\_\_

### Choose Fabric:

1. Face Fabric: Fabric Vendor:  Eastern Accents  C.O.M. (Vendor Name: \_\_\_\_\_)  
 Fabric Code: \_\_\_\_\_ Fabric Width: \_\_\_\_\_"  Up the Roll or Solid Only  
 Repeat: V: \_\_\_\_\_" H: \_\_\_\_\_" Yardage Needed: \_\_\_\_\_ yds
2. Coordinate Fabric: Fabric Vendor:  Eastern Accents  C.O.M. (Vendor Name: \_\_\_\_\_)  
 Fabric Code: \_\_\_\_\_ Fabric Width: \_\_\_\_\_"  Up the Roll or Solid Only  
 Repeat: V: \_\_\_\_\_" H: \_\_\_\_\_" Yardage Needed: \_\_\_\_\_ yds
3. Back Fabric: Fabric Vendor:  Eastern Accents  C.O.M. (Vendor Name: \_\_\_\_\_)  
 Fabric Code: \_\_\_\_\_ Fabric Width: \_\_\_\_\_"  Railroaded:  Vertical (3b)  Horizontal (3a)  Up the Roll/Solid  
 Repeat: V: \_\_\_\_\_" H: \_\_\_\_\_" Yardage Needed: \_\_\_\_\_ yds

Choose Closure (duvet covers only):  Zipper  Button Fabric:  Use Face Fabric  Use Back Fabric  Use Other Fabric: \_\_\_\_\_

Choose Tufting (comforters only):  Hand-Tacked  Button-Tufted: Button Fabric:  Use Face Fabric  Use Back Fabric  Use Other Fabric: \_\_\_\_\_

### Add Upgrades (optional):

4. Edge Finish:  A: Add Cord  B: Add Small Welt  C: Add Medium Welt  D: Add Medium Ruched Welt  
 E: Add Large Ruched Welt  F: Add Flange

#### Edge Trimming (Upgrade A):

Cord Vendor:  Eastern Accents  C.O.M. (Vendor Name: \_\_\_\_\_)  
 Cord Code: \_\_\_\_\_ Yardage Needed: \_\_\_\_\_ yds

#### Edge Fabric (Upgrade B, C, D, E, and F):

Fabric Vendor:  Eastern Accents  C.O.M. (Vendor Name: \_\_\_\_\_)  
 Fabric Code: \_\_\_\_\_ Fabric Width: \_\_\_\_\_"  Railroaded  Up the Roll/Solid  
 Repeat: V: \_\_\_\_\_" H: \_\_\_\_\_" Yardage Needed: \_\_\_\_\_ yds

5. Face Finish:  I: Add Cord or Gimp  J: Add Small Welt

#### Face Trimming (Upgrade I):

Cord or Gimp Vendor:  Eastern Accents  C.O.M. (Vendor Name: \_\_\_\_\_)  
 Cord or Gimp Code: \_\_\_\_\_ Yardage Needed: \_\_\_\_\_ yds

#### Face Fabric (Upgrade J):

Fabric Vendor:  Eastern Accents  C.O.M. (Vendor Name: \_\_\_\_\_)  
 Fabric Code: \_\_\_\_\_ Fabric Width: \_\_\_\_\_"  Railroaded  Up the Roll/Solid  
 Repeat: V: \_\_\_\_\_" H: \_\_\_\_\_" Yardage Needed: \_\_\_\_\_ yds

### Special Instructions:

To place your order, please sign below and email/fax this worksheet to: Custom@EasternAccents.com/800.998.3278.

Company Name: \_\_\_\_\_ Account #: \_\_\_\_\_

Phone: \_\_\_\_\_ Fax: \_\_\_\_\_ Email: \_\_\_\_\_

Signature: \_\_\_\_\_ Date: \_\_\_\_\_

Custom items cannot be exchanged and are non-returnable and non-refundable.

Do not send C.O.M. fabrics or trimmings prior to receiving your order confirmation number.



# Duvet Cover & Comforter Yardage Chart - Mitered Insert

## 1. Face Fabric (Up the Roll or Solid Fabric) 54" - 58" Fabric Width

Round up to whole number	Daybed	Twin	Full	Queen	Super Queen	King	Super King	Cal King
0"-9" Vertical Repeat	4.75 yds	4.75 yds	5.5 yds	5.5 yds	6 yds	5.75 yds	9.25 yds	6 yds
10"-18" Vertical Repeat	5 yds	5 yds	5.75 yds	5.75 yds	6.25 yds	6 yds	9.75 yds	6.25 yds
19"-27" Vertical Repeat	5.25 yds	5.25 yds	6 yds	6 yds	6.5 yds	6.25 yds	10.25 yds	6.5 yds
28"-36" Vertical Repeat	5.5 yds	5.5 yds	6.25 yds	6.25 yds	6.75 yds	6.5 yds	10.75 yds	6.75 yds

## 2. Coordinate Fabric (Up the Roll or Solid Fabric) 54" - 58" Fabric Width

	Daybed	Twin	Full	Queen	Super Queen	King	Super King	Cal King
Any Repeat	2.5 yds	2.75 yds	2.75 yds	3 yds	3 yds	2.75 yds	2.75 yds	3 yds

## 3a. Back Fabric (Up the Roll or Solid Fabric) 54" - 58" Fabric Width

Round up to whole number	Daybed	Twin	Full	Queen	Super Queen	King	Super King	Cal King
0"-9" Vertical Repeat	4 yds	6 yds	6 yds	6 yds	6.5 yds	6 yds	9.5 yds	6.5 yds
10"-18" Vertical Repeat	4.25 yds	6.25 yds	6.25 yds	6.25 yds	6.75 yds	6.25 yds	10 yds	6.75 yds
19"-27" Vertical Repeat	4.5 yds	6.5 yds	6.5 yds	6.5 yds	7 yds	6.5 yds	10.5 yds	7 yds
28"-36" Vertical Repeat	4.75 yds	6.75 yds	6.75 yds	6.75 yds	7.25 yds	6.75 yds	11 yds	7.25 yds

## 3b. Back Fabric (Railroaded Fabric) 54" - 58" Fabric Width

Round up to whole number	Daybed	Twin	Full	Queen	Super Queen	King	Super King	Cal King
0"-9" Vertical Repeat	3.75 yds	4.5 yds	5.25 yds	5.75 yds	6.25 yds	6.5 yds	7.25 yds	6.75 yds
10"-18" Vertical Repeat	4 yds	4.75 yds	5.5 yds	6 yds	6.5 yds	6.75 yds	7.5 yds	7 yds
19"-27" Vertical Repeat	4.25 yds	5 yds	5.75 yds	6.25 yds	6.75 yds	7 yds	7.75 yds	7.25 yds
28"-36" Vertical Repeat	4.5 yds	5.25 yds	6 yds	6.5 yds	7 yds	7.25 yds	8 yds	7.5 yds

## Button Fabric (Up the Roll, Solid, or Railroaded Fabric) 54" - 58" Fabric Width

Daybed	Twin	Full	Queen	Super Queen	King	Super King	Cal King
.25 yd	.25 yd	.25 yd	.25 yd	.25 yd	.25 yd	.25 yd	.25 yd

## Yardage Requirements for Upgrades

### 4. Edge Finish 54" - 58" Fabric Width for Welt and Flange Upgrades

	Daybed	Twin	Full	Queen	Super Queen	King	Super King	Cal King
Add Cord	6.5 yds	7.5 yds	8 yds	8.25 yds	9 yds	8.75 yds	9.5 yds	9.25 yds
Add Small/Medium Welt	2 yds	2 yds	2 yds	2 yds	2.5 yds	2.5 yds	2.5 yds	2.5 yds
Add Medium Ruched Welt	1.5 yds	1.75 yds	1.75 yds	1.75 yds	2 yds	2 yds	2 yds	2 yds
Add Large Ruched Welt	2 yds	2.25 yds	2.25 yds	2.25 yds	2.5 yds	2.5 yds	2.5 yds	2.5 yds
Add Flange	1.5 yds	1.5 yds	1.75 yds	1.75 yds	1.75 yds	1.75 yds	2 yds	2 yds

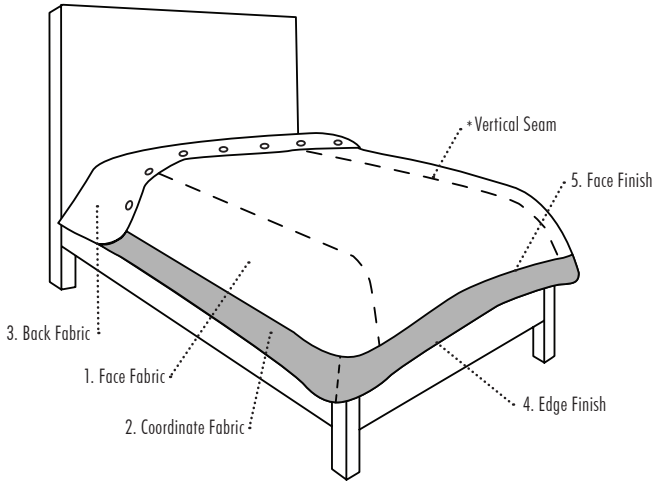
### 5. Face Finish 54" - 58" Fabric Width for Welt Upgrade

	Daybed	Twin	Full	Queen	Super Queen	King	Super King	Cal King
Add Cord or Gimp	8.5 yds	13 yds	14 yds	13.5 yds	14 yds	12.5 yds	13 yds	14 yds
Add Small Welt	2.5 yds	2.5 yds	2.5 yds	2.5 yds	2.5 yds	2.5 yds	2.5 yds	2.5 yds

## Calculate Your Custom Product Cost

Base and Upgrade Charges		Material Costs		Total Cost
Base Charge: \$ _____	+	Face Fabric Cost: \$ _____	=	\$ _____
Edge Finish Upgrade Charges: \$ _____		Coordinate Fabric Cost: \$ _____		
Face Finish Upgrade Charges: \$ _____		Back Fabric Cost: \$ _____		
Other Upgrade Charges: \$ _____		Edge Finish Cost: \$ _____		
	Face Finish Cost: \$ _____			

# Duvet Cover & Comforter (1" batting) - Mitered Edge



Duvet Cover Base Charge: \$245  
 Comforter Base Charge: \$295

### Upgrade Options

#### Edge Finish

- A. Add Cord (p.70) \$20
- B. Add Small Welt (p.70) \$20
- C. Add Medium Welt (p.70) \$20
- D. Add Medium Ruched Welt (p.70) \$20
- E. Add Large Ruched Welt (p.70) \$20
- F. Add Flange (p.70) \$20

#### Face Finish

- I. Add Cord or Gimp (p.71) \$20
- J. Add Small Welt (p.71) \$20

#### Other

Down and Faux Down (p.78)

Duvet cover insert is not included, please see page 79.

- Choose Product:  Duvet Cover  Comforter
- Choose Size\*:  Daybed (99"x52")  Twin (63"x88")  Full (78"x88")  Queen (88"x90")  Super Queen (96"x98")  
 King (102"x90")  Super King (114"x98")  Cal King (104"x100") \*Call for custom size information.

Choose Quantity: \_\_\_\_\_

### Choose Fabric:

1. Face Fabric: Fabric Vendor:  Eastern Accents  C.O.M. (Vendor Name: \_\_\_\_\_)  
 Fabric Code: \_\_\_\_\_ Fabric Width: \_\_\_\_\_"  Up the Roll or Solid Only (railroaded fabric pattern will run horizontally, p.4)  
 Repeat: V: \_\_\_\_\_" H: \_\_\_\_\_" Yardage Needed: \_\_\_\_\_ yds
2. Coordinate Fabric: Fabric Vendor:  Eastern Accents  C.O.M. (Vendor Name: \_\_\_\_\_)  
 Fabric Code: \_\_\_\_\_ Fabric Width: \_\_\_\_\_"  Up the Roll or Solid Only  
 Repeat: V: \_\_\_\_\_" H: \_\_\_\_\_" Yardage Needed: \_\_\_\_\_ yds
3. Back Fabric: Fabric Vendor:  Eastern Accents  C.O.M. (Vendor Name: \_\_\_\_\_)  
 Fabric Code: \_\_\_\_\_ Fabric Width: \_\_\_\_\_"  Railroaded:  Vertical (3b)  Horizontal (3a)  Up the Roll/Solid  
 Repeat: V: \_\_\_\_\_" H: \_\_\_\_\_" Yardage Needed: \_\_\_\_\_ yds

Choose Closure (duvet covers only):  Zipper  Button Fabric:  Use Face Fabric  Use Back Fabric  Use Other Fabric: \_\_\_\_\_

Choose Tufting (comforters only):  Hand-Tacked  Button-Tufted: Button Fabric:  Use Face Fabric  Use Back Fabric  Use Other Fabric: \_\_\_\_\_

### Add Upgrades (optional):

4. Edge Finish:  A: Add Cord  B: Add Small Welt  C: Add Medium Welt  D: Add Medium Ruched Welt  
 E: Add Large Ruched Welt

#### Edge Trimming (Upgrade A):

Cord Vendor:  Eastern Accents  C.O.M. (Vendor Name: \_\_\_\_\_)  
 Cord Code: \_\_\_\_\_ Yardage Needed: \_\_\_\_\_ yds

#### Edge Fabric (Upgrade B, C, D, and E):

Fabric Vendor:  Eastern Accents  C.O.M. (Vendor Name: \_\_\_\_\_)  
 Fabric Code: \_\_\_\_\_ Fabric Width: \_\_\_\_\_"  Railroaded  Up the Roll/Solid  
 Repeat: V: \_\_\_\_\_" H: \_\_\_\_\_" Yardage Needed: \_\_\_\_\_ yds

5. Face Finish:  I: Add Cord or Gimp  J: Add Small Welt

#### Face Trimming (Upgrade I):

Cord or Gimp Vendor:  Eastern Accents  C.O.M. (Vendor Name: \_\_\_\_\_)  
 Cord or Gimp Code: \_\_\_\_\_ Yardage Needed: \_\_\_\_\_ yds

#### Face Fabric (Upgrade J):

Fabric Vendor:  Eastern Accents  C.O.M. (Vendor Name: \_\_\_\_\_)  
 Fabric Code: \_\_\_\_\_ Fabric Width: \_\_\_\_\_"  Railroaded  Up the Roll/Solid  
 Repeat: V: \_\_\_\_\_" H: \_\_\_\_\_" Yardage Needed: \_\_\_\_\_ yds

### Special Instructions:

To place your order, please sign below and email/fax this worksheet to: Custom@EasternAccents.com/800.998.3278.

Company Name: \_\_\_\_\_ Account #: \_\_\_\_\_

Phone: \_\_\_\_\_ Fax: \_\_\_\_\_ Email: \_\_\_\_\_

Signature: \_\_\_\_\_ Date: \_\_\_\_\_

Custom items cannot be exchanged and are non-returnable and non-refundable.

# Duvet Cover & Comforter Yardage Chart - Mitered Edge

## 1. Face Fabric (Up the Roll or Solid Fabric) 54" - 58" Fabric Width

Round up to whole number	Daybed	Twin	Full	Queen	Super Queen	King	Super King	Cal King
0"-9" Vertical Repeat	3.5 yds	3 yds	5.5 yds	5.75 yds	6 yds	5.75 yds	6 yds	6.25 yds
10"-18" Vertical Repeat	3.75 yds	3 yds	5.75 yds	6 yds	6.25 yds	6 yds	6.25 yds	6.5 yds
19"-27" Vertical Repeat	4 yds	3 yds	6 yds	6.25 yds	6.5 yds	6.25 yds	6.5 yds	6.75 yds
28"-36" Vertical Repeat	4.25 yds	3 yds	6.25 yds	6.5 yds	6.75 yds	6.5 yds	6.75 yds	7 yds

## 2. Coordinate Fabric (Up the Roll or Solid Fabric) 54" - 58" Fabric Width

	Daybed	Twin	Full	Queen	Super Queen	King	Super King	Cal King
Any Repeat	3.5 yds	3.25 yds	3.25 yds	3.25 yds	3.5 yds	3.5 yds	4 yds	3.75 yds

## 3a. Back Fabric (Up the Roll or Solid Fabric) 54" - 58" Fabric Width

Round up to whole number	Daybed	Twin	Full	Queen	Super Queen	King	Super King	Cal King
0"-9" Vertical Repeat	4 yds	6 yds	6 yds	6 yds	6.5 yds	6 yds	9.5 yds	6.5 yds
10"-18" Vertical Repeat	4.25 yds	6.25 yds	6.25 yds	6.25 yds	6.75 yds	6.25 yds	10 yds	6.75 yds
19"-27" Vertical Repeat	4.5 yds	6.5 yds	6.5 yds	6.5 yds	7 yds	6.5 yds	10.5 yds	7 yds
28"-36" Vertical Repeat	4.75 yds	6.75 yds	6.75 yds	6.75 yds	7.25 yds	6.75 yds	11 yds	7.25 yds

## 3b. Back Fabric (Railroaded Fabric) 54" - 58" Fabric Width

Round up to whole number	Daybed	Twin	Full	Queen	Super Queen	King	Super King	Cal King
0"-9" Vertical Repeat	3.75 yds	4.5 yds	5.25 yds	5.75 yds	6.25 yds	6.5 yds	7.25 yds	6.75 yds
10"-18" Vertical Repeat	4 yds	4.75 yds	5.5 yds	6 yds	6.5 yds	6.75 yds	7.5 yds	7 yds
19"-27" Vertical Repeat	4.25 yds	5 yds	5.75 yds	6.25 yds	6.75 yds	7 yds	7.75 yds	7.25 yds
28"-36" Vertical Repeat	4.5 yds	5.25 yds	6 yds	6.5 yds	7 yds	7.25 yds	8 yds	7.5 yds

## Button Fabric (Up the Roll, Solid, or Railroaded Fabric) 54" - 58" Fabric Width

Daybed	Twin	Full	Queen	Super Queen	King	Super King	Cal King
.25 yd	.25 yd	.25 yd	.25 yd	.25 yd	.25 yd	.25 yd	.25 yd

## Yardage Requirements for Upgrades

### 4. Edge Finish 54" - 58" Fabric Width for Welt Upgrades

	Daybed	Twin	Full	Queen	Super Queen	King	Super King	Cal King
Add Cord	6.5 yds	7.5 yds	8 yds	8.25 yds	9 yds	8.75 yds	9.5 yds	9.25 yds
Add Small/Medium Welt	2 yds	2 yds	2 yds	2 yds	2.5 yds	2.5 yds	2.5 yds	2.5 yds
Add Medium Ruched Welt	1.5 yds	1.75 yds	1.75 yds	1.75 yds	2 yds	2 yds	2 yds	2 yds
Add Large Ruched Welt	2 yds	2.25 yds	2.25 yds	2.25 yds	2.5 yds	2.5 yds	2.5 yds	2.5 yds
Add Flange	1.5 yds	1.5 yds	1.75 yds	1.75 yds	1.75 yds	1.75 yds	2 yds	2 yds

### 5. Face Finish 54" - 58" Fabric Width for Welt Upgrade

	Daybed	Twin	Full	Queen	Super Queen	King	Super King	Cal King
Add Cord or Gimp	6 yds	7 yds	7.5 yds	7.75 yds	8.5 yds	8.25 yds	9 yds	8.75 yds
Add Small Welt	2 yds	2 yds	2 yds	2 yds	2 yds	2 yds	2 yds	2 yds

## Calculate Your Custom Product Cost

Base and Upgrade Charges
Base Charge: \$ _____
Edge Finish Upgrade Charges: \$ _____
Face Finish Upgrade Charges: \$ _____
Other Upgrade Charges: \$ _____

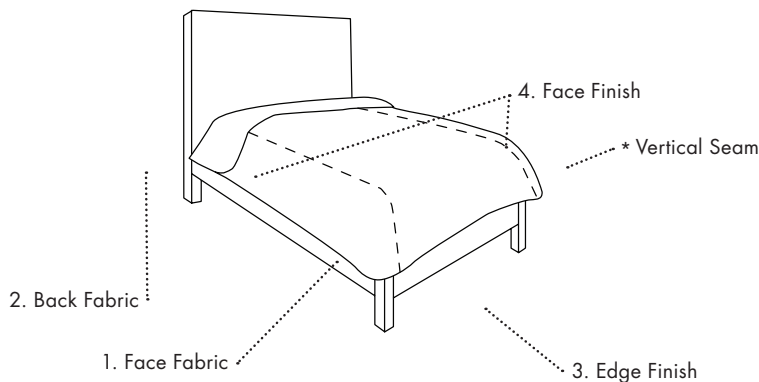
+

Material Costs
Face Fabric Cost: \$ _____
Coordinate Fabric Cost: \$ _____
Back Fabric Cost: \$ _____
Edge Finish Cost: \$ _____
Face Finish Cost: \$ _____

= Total Cost  
\$ \_\_\_\_\_

# Coverlet (1/4" batting and tacked) - Solid Up the Roll

Base Charge: \$155



## Upgrade Options

### Edge Finish

- A. Add Cord (p.70) \$20
- B. Add Small Welt (p.70) \$20
- C. Add Medium Welt (p.70) \$20
- D. Add Medium Ruched Welt (p.70) \$20
- E. Add Large Ruched Welt (p.70) \$20
- F. Add Flange (p.70) \$20
- G. Add Top Stitch (p.70) \$20
- H. Add Edging Welt (p.70) \$20

### Face Finish

- I. Add Cord or Gimp (p.71) \$20
- J. Add Small Welt (p.71) \$20
- K. Add Cuff (p.71) \$20

Choose Size\*:  Daybed (99"x52")  Twin (63"x88")  Full (78"x88")  Queen (88"x90")  Super Queen (96"x98")  
 King (102"x90")  Super King (114"x98")  Cal King (104"x100") \*Call for custom size information.

Choose Corners\*\*:  Rounded  Square  Split Corner with Gusset (Split: \_\_\_\_\_" Mattress Size: Width \_\_\_\_\_" x Length \_\_\_\_\_")  
 \*\*See page 72 for details on the various corner options.

Choose Quantity: \_\_\_\_\_

## Choose Fabric:

1. Face Fabric: Fabric Vendor:  Eastern Accents  C.O.M. (Vendor Name: \_\_\_\_\_ )  
 Fabric Code: \_\_\_\_\_ Fabric Width: \_\_\_\_\_"  Up the Roll or Solid Only (railroaded fabric pattern will run horizontally, p.4)  
 Repeat: V: \_\_\_\_\_" H: \_\_\_\_\_" Yardage Needed: \_\_\_\_\_ yds
2. Back Fabric: Fabric Vendor:  Eastern Accents  C.O.M. (Vendor Name: \_\_\_\_\_ )  
 Fabric Code: \_\_\_\_\_ Fabric Width: \_\_\_\_\_"  Railroaded:  Vertical (2b)  Horizontal (2a)  Up the Roll/Solid  
 Repeat: V: \_\_\_\_\_" H: \_\_\_\_\_" Yardage Needed: \_\_\_\_\_ yds

## Add Upgrades (optional):

3. Edge Finish:  A: Add Cord  B: Add Small Welt  C: Add Medium Welt  D: Add Medium Ruched Welt  
 E: Add Large Ruched Welt  F: Add Flange  G: Add Top Stitch  H: Add Edging Welt

### Edge Trimming (Upgrade A):

Cord Vendor:  Eastern Accents  C.O.M. (Vendor Name: \_\_\_\_\_ )  
 Cord Code: \_\_\_\_\_ Yardage Needed: \_\_\_\_\_ yds

### Edge Fabric (Upgrade B, C, D, E, and F):

Fabric Vendor:  Eastern Accents  C.O.M. (Vendor Name: \_\_\_\_\_ )  
 Fabric Code: \_\_\_\_\_ Fabric Width: \_\_\_\_\_"  Railroaded  Up the Roll/Solid  
 Repeat: V: \_\_\_\_\_" H: \_\_\_\_\_" Yardage Needed: \_\_\_\_\_ yds

4. Face Finish:  I: Add Cord or Gimp  J: Add Small Welt  K: Add Cuff

### Face Trimming (Upgrade I):

Cord or Gimp Vendor:  Eastern Accents  C.O.M. (Vendor Name: \_\_\_\_\_ )  
 Cord or Gimp Code: \_\_\_\_\_ Yardage Needed: \_\_\_\_\_ yds

### Face Fabric (Upgrade J and K):

Fabric Vendor:  Eastern Accents  C.O.M. (Vendor Name: \_\_\_\_\_ )  
 Fabric Code: \_\_\_\_\_ Fabric Width: \_\_\_\_\_"  Railroaded  Up the Roll/Solid  
 Repeat: V: \_\_\_\_\_" H: \_\_\_\_\_" Yardage Needed: \_\_\_\_\_ yds

## Special Instructions:

\_\_\_\_\_

\_\_\_\_\_

To place your order, please sign below and email/fax this worksheet to: Custom@EasternAccents.com/800.998.3278.

Company Name: \_\_\_\_\_ Account #: \_\_\_\_\_

Phone: \_\_\_\_\_ Fax: \_\_\_\_\_ Email: \_\_\_\_\_

Signature: \_\_\_\_\_ Date: \_\_\_\_\_

Custom items cannot be exchanged and are non-returnable and non-refundable.

Do not send C.O.M. fabrics or trimmings prior to receiving your order confirmation number.

# Coverlet Yardage Chart - Solid Up the Roll

## 1. Face Fabric (Up the Roll or Solid Fabric) 54" - 58" Fabric Width

Round up to whole number	Daybed	Twin	Full	Queen	Super Queen	King	Super King	Cal King
0"-9" Vertical Repeat	4 yds	6 yds	6 yds	6 yds	6.5 yds	6 yds	9.5 yds	6.5 yds
10"-18" Vertical Repeat	4.5 yds	6.25 yds	6.25 yds	6.25 yds	6.75 yds	6.25 yds	10 yds	6.75 yds
19"-27" Vertical Repeat	4.5 yds	6.5 yds	6.5 yds	6.5 yds	7 yds	6.5 yds	10.5 yds	7 yds
28"-36" Vertical Repeat	4.75 yds	6.75 yds	6.75 yds	6.75 yds	7.25 yds	6.75 yds	11 yds	7.25 yds

## 2a. Back Fabric (Up the Roll or Solid Fabric) 54" - 58" Fabric Width

Round up to whole number	Daybed	Twin	Full	Queen	Super Queen	King	Super King	Cal King
0"-9" Vertical Repeat	4 yds	6 yds	6 yds	6 yds	6.5 yds	6 yds	9.5 yds	6.5 yds
10"-18" Vertical Repeat	4.25 yds	6.25 yds	6.25 yds	6.25 yds	6.75 yds	6.25 yds	10 yds	6.75 yds
19"-27" Vertical Repeat	4.5 yds	6.5 yds	6.5 yds	6.5 yds	7 yds	6.5 yds	10.5 yds	7 yds
28"-36" Vertical Repeat	4.75 yds	6.75 yds	6.75 yds	6.75 yds	7.25 yds	6.75 yds	11 yds	7.25 yds

## 2b. Back Fabric (Railroaded Fabric) 54" - 58" Fabric Width

Round up to whole number	Daybed	Twin	Full	Queen	Super Queen	King	Super King	Cal King
0"-9" Vertical Repeat	3.75 yds	4.5 yds	5.25 yds	5.75 yds	6.25 yds	6.5 yds	7.25 yds	6.75 yds
10"-18" Vertical Repeat	4 yds	4.75 yds	5.5 yds	6 yds	6.5 yds	6.75 yds	7.5 yds	7 yds
19"-27" Vertical Repeat	4.25 yds	5 yds	5.75 yds	6.25 yds	6.75 yds	7 yds	7.75 yds	7.25 yds
28"-36" Vertical Repeat	4.5 yds	5.25 yds	6 yds	6.5 yds	7 yds	7.25 yds	8 yds	7.5 yds

## Yardage Requirements for Upgrades

### 3. Edge Finish 54" - 58" Fabric Width for Welt and Flange Upgrades

	Daybed	Twin	Full	Queen	Super Queen	King	Super King	Cal King
Add Cord	9.25 yds	9.25 yds	10.25 yds	10.75 yds	11.75 yds	11.75 yds	12.75 yds	12.25 yds
Add Small/Medium Welt	2.5 yds	2.5 yds	2.5 yds	2.5 yds	3 yds	3 yds	3 yds	3 yds
Add Medium Ruched Welt	2 yds	2.25 yds	2.25 yds	2.25 yds	2.5 yds	2.5 yds	3 yds	2.5 yds
Add Large Ruched Welt	2.5 yds	2.75 yds	2.75 yds	2.75 yds	3 yds	3 yds	3.5 yds	3 yds
Add Flange	1.5 yds	1.5 yds	1.75 yds	1.75 yds	1.75 yds	1.75 yds	2 yds	2 yds
Add Edging Welt	2.5 yds	2.5 yds	2.5 yds	2.5 yds	3 yds	3 yds	3 yds	3 yds

### 4. Face Finish 54" - 58" Fabric Width for Welt and Cuff Upgrades

	Daybed	Twin	Full	Queen	Super Queen	King	Super King	Cal King
Add Cord or Gimp	4 yds	6 yds	6 yds	6 yds	6.5 yds	6 yds	6.5 yds	6.75 yds
Add Small Welt	2 yds	2 yds	2 yds	2 yds	2 yds	2 yds	2 yds	2 yds
Add Cuff	1 yd	1 yd	1 yd	1 yd	1 yd	1 yd	1 yd	1 yd

## Calculate Your Custom Product Cost

Base and Upgrade Charges
Base Charge: \$155
Edge Finish Upgrade Charges: \$ _____
Face Finish Upgrade Charges: \$ _____
Other Upgrade Charges: \$ _____

+

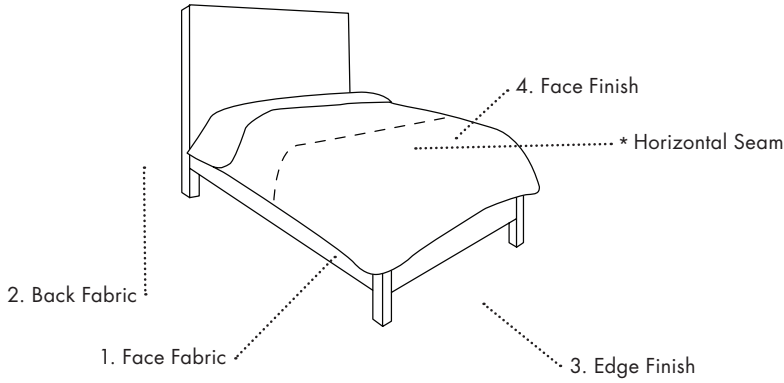
Material Costs
Face Fabric Cost: \$ _____
Back Fabric Cost: \$ _____
Edge Finish Cost: \$ _____
Face Finish Cost: \$ _____

=

Total Cost  
\$ \_\_\_\_\_

# Coverlet (1/4" batting and tacked) - Solid Railroaded

Base Charge: \$155



## Upgrade Options

### Edge Finish

- A. Add Cord (p.70) \$20
- B. Add Small Welt (p.70) \$20
- C. Add Medium Welt (p.70) \$20
- D. Add Medium Ruched Welt (p.70) \$20
- E. Add Large Ruched Welt (p.70) \$20
- F. Add Flange (p.70) \$20
- G. Add Top Stitch (p.70) \$20
- H. Add Edging Welt (p.70) \$20

### Face Finish

- I. Add Cord or Gimp (p.71) \$20
- J. Add Small Welt (p.71) \$20
- K. Add Cuff (p.71) \$20

Choose Size\*:  Daybed (99"x52")  Twin (63"x88")  Full (78"x88")  Queen (88"x90")  Super Queen (96"x98")  
 King (102"x90")  Super King (114"x98")  Cal King (104"x100") \*Call for custom size information.

Choose Corners\*\*:  Rounded  Square  Split Corner with Gusset (Split: \_\_\_\_\_" Mattress Size: Width \_\_\_\_\_" x Length \_\_\_\_\_")  
 \*\*See page 72 for details on the various corner options.

Choose Quantity: \_\_\_\_\_

### Choose Fabric:

1. Face Fabric: Fabric Vendor:  Eastern Accents  C.O.M. (Vendor Name: \_\_\_\_\_ )  
 Fabric Code: \_\_\_\_\_ Fabric Width: \_\_\_\_\_"  Railroaded Only (pattern will run vertically, p.4)  
 Repeat: V: \_\_\_\_\_" H: \_\_\_\_\_" Yardage Needed: \_\_\_\_\_ yds
2. Back Fabric: Fabric Vendor:  Eastern Accents  C.O.M. (Vendor Name: \_\_\_\_\_ )  
 Fabric Code: \_\_\_\_\_ Fabric Width: \_\_\_\_\_"  Railroaded:  Vertical (2b)  Horizontal (2a)  Up the Roll/Solid  
 Repeat: V: \_\_\_\_\_" H: \_\_\_\_\_" Yardage Needed: \_\_\_\_\_ yds

### Add Upgrades (optional):

3. Edge Finish:  A: Add Cord  B: Add Small Welt  C: Add Medium Welt  D: Add Medium Ruched Welt  
 E: Add Large Ruched Welt  F: Add Flange  G: Add Top Stitch  H: Add Edging Welt

#### Edge Trimming (Upgrade A):

Cord Vendor:  Eastern Accents  C.O.M. (Vendor Name: \_\_\_\_\_ )  
 Cord Code: \_\_\_\_\_ Yardage Needed: \_\_\_\_\_ yds

#### Edge Fabric (Upgrade B, C, D, E, and F):

Fabric Vendor:  Eastern Accents  C.O.M. (Vendor Name: \_\_\_\_\_ )  
 Fabric Code: \_\_\_\_\_ Fabric Width: \_\_\_\_\_"  Railroaded  Up the Roll/Solid  
 Repeat: V: \_\_\_\_\_" H: \_\_\_\_\_" Yardage Needed: \_\_\_\_\_ yds

4. Face Finish:  I: Add Cord or Gimp  J: Add Small Welt  K: Add Cuff

#### Face Trimming (Upgrade I):

Cord or Gimp Vendor:  Eastern Accents  C.O.M. (Vendor Name: \_\_\_\_\_ )  
 Cord or Gimp Code: \_\_\_\_\_ Yardage Needed: \_\_\_\_\_ yds

#### Face Fabric (Upgrade J and K):

Fabric Vendor:  Eastern Accents  C.O.M. (Vendor Name: \_\_\_\_\_ )  
 Fabric Code: \_\_\_\_\_ Fabric Width: \_\_\_\_\_"  Railroaded  Up the Roll/Solid  
 Repeat: V: \_\_\_\_\_" H: \_\_\_\_\_" Yardage Needed: \_\_\_\_\_ yds

### Special Instructions:

\_\_\_\_\_

\_\_\_\_\_

To place your order, please sign below and email/fax this worksheet to: Custom@EasternAccents.com/800.998.3278.

Company Name: \_\_\_\_\_ Account #: \_\_\_\_\_

Phone: \_\_\_\_\_ Fax: \_\_\_\_\_ Email: \_\_\_\_\_

Signature: \_\_\_\_\_ Date: \_\_\_\_\_

Custom items cannot be exchanged and are non-returnable and non-refundable.

Do not send C.O.M. fabrics or trimmings prior to receiving your order confirmation number.

# Coverlet Yardage Chart - Solid Railroaded

## 1. Face Fabric (Railroaded Fabric) 54" - 58" Fabric Width

Round up to whole number	Daybed	Twin	Full	Queen	Super Queen	King	Super King	Cal King
0"-9" Vertical Repeat	3.75 yds	4.5 yds	5.25 yds	5.75 yds	6.25 yds	6.5 yds	7.25 yds	6.75 yds
10"-18" Vertical Repeat	4 yds	4.75 yds	5.5 yds	6 yds	6.5 yds	6.75 yds	7.5 yds	7 yds
19"-27" Vertical Repeat	4.25 yds	5 yds	5.75 yds	6.25 yds	6.75 yds	7 yds	7.75 yds	7.25 yds
28"-36" Vertical Repeat	4.5 yds	5.25 yds	6 yds	6.5 yds	7 yds	7.25 yds	8 yds	7.5 yds

## 2a. Back Fabric (Up the Roll or Solid Fabric) 54" - 58" Fabric Width

Round up to whole number	Daybed	Twin	Full	Queen	Super Queen	King	Super King	Cal King
0"-9" Vertical Repeat	4 yds	6 yds	6 yds	6 yds	6.5 yds	6 yds	9.5 yds	6.5 yds
10"-18" Vertical Repeat	4.25 yds	6.25 yds	6.25 yds	6.25 yds	6.75 yds	6.25 yds	10 yds	6.75 yds
19"-27" Vertical Repeat	4.5 yds	6.5 yds	6.5 yds	6.5 yds	7 yds	6.5 yds	10.5 yds	7 yds
28"-36" Vertical Repeat	4.75 yds	6.75 yds	6.75 yds	6.75 yds	7.25 yds	6.75 yds	11 yds	7.25 yds

## 2b. Back Fabric (Railroaded Fabric) 54" - 58" Fabric Width

Round up to whole number	Daybed	Twin	Full	Queen	Super Queen	King	Super King	Cal King
0"-9" Vertical Repeat	3.75 yds	4.5 yds	5.25 yds	5.75 yds	6.25 yds	6.5 yds	7.25 yds	6.75 yds
10"-18" Vertical Repeat	4 yds	4.75 yds	5.5 yds	6 yds	6.5 yds	6.75 yds	7.5 yds	7 yds
19"-27" Vertical Repeat	4.25 yds	5 yds	5.75 yds	6.25 yds	6.75 yds	7 yds	7.75 yds	7.25 yds
28"-36" Vertical Repeat	4.5 yds	5.25 yds	6 yds	6.5 yds	7 yds	7.25 yds	8 yds	7.5 yds

## Yardage Requirements for Upgrades

### 3. Edge Finish 54" - 58" Fabric Width for Welt and Flange Upgrades

	Daybed	Twin	Full	Queen	Super Queen	King	Super King	Cal King
Add Cord	9.25 yds	9.25 yds	10.25 yds	10.75 yds	11.75 yds	11.75 yds	12.75 yds	12.25 yds
Add Small/Medium Welt	2.5 yds	2.5 yds	2.5 yds	2.5 yds	3 yds	3 yds	3 yds	3 yds
Add Medium Ruched Welt	2 yds	2.25 yds	2.25 yds	2.25 yds	2.5 yds	2.5 yds	3 yds	2.5 yds
Add Large Ruched Welt	2.5 yds	2.75 yds	2.75 yds	2.75 yds	3 yds	3 yds	3.5 yds	3 yds
Add Flange	1.5 yds	1.5 yds	1.75 yds	1.75 yds	1.75 yds	1.75 yds	2 yds	2 yds
Add Edging Welt	2.5 yds	2.5 yds	2.5 yds	2.5 yds	3 yds	3 yds	3 yds	3 yds

### 4. Face Finish 54" - 58" Fabric Width for Welt and Cuff Upgrades

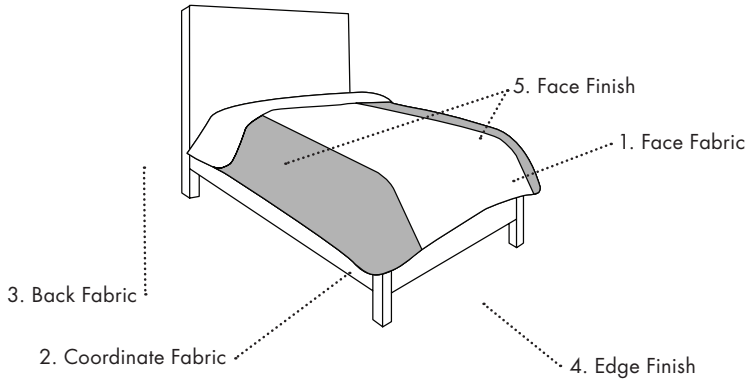
	Daybed	Twin	Full	Queen	Super Queen	King	Super King	Cal King
Add Cord or Gimp	4 yds	6 yds	6 yds	6 yds	6.5 yds	6 yds	6.5 yds	6.75 yds
Add Small Welt	2 yds	2 yds	2 yds	2 yds	2 yds	2 yds	2 yds	2 yds
Add Cuff	1 yd	1 yd	1 yd	1 yd	1 yd	1 yd	1 yd	1 yd

## Calculate Your Custom Product Cost

<table border="1" style="width: 100%; border-collapse: collapse;"> <thead> <tr> <th style="background-color: #cccccc;">Base and Upgrade Charges</th> </tr> </thead> <tbody> <tr> <td>Base Charge: \$155</td> </tr> <tr> <td>Edge Finish Upgrade Charges: \$ _____</td> </tr> <tr> <td>Face Finish Upgrade Charges: \$ _____</td> </tr> <tr> <td>Other Upgrade Charges: \$ _____</td> </tr> </tbody> </table>	Base and Upgrade Charges	Base Charge: \$155	Edge Finish Upgrade Charges: \$ _____	Face Finish Upgrade Charges: \$ _____	Other Upgrade Charges: \$ _____	+	<table border="1" style="width: 100%; border-collapse: collapse;"> <thead> <tr> <th style="background-color: #cccccc;">Material Costs</th> </tr> </thead> <tbody> <tr> <td>Face Fabric Cost: \$ _____</td> </tr> <tr> <td>Back Fabric Cost: \$ _____</td> </tr> <tr> <td>Edge Finish Cost: \$ _____</td> </tr> <tr> <td>Face Finish Cost: \$ _____</td> </tr> </tbody> </table>	Material Costs	Face Fabric Cost: \$ _____	Back Fabric Cost: \$ _____	Edge Finish Cost: \$ _____	Face Finish Cost: \$ _____	=	<p style="text-align: center;">Total Cost</p> <p style="text-align: center;">\$ _____</p>
Base and Upgrade Charges														
Base Charge: \$155														
Edge Finish Upgrade Charges: \$ _____														
Face Finish Upgrade Charges: \$ _____														
Other Upgrade Charges: \$ _____														
Material Costs														
Face Fabric Cost: \$ _____														
Back Fabric Cost: \$ _____														
Edge Finish Cost: \$ _____														
Face Finish Cost: \$ _____														

# Coverlet (1/4" batting and tacked) - Insert

Base Charge: \$155



## Upgrade Options

### Edge Finish

- A. Add Cord (p.70) \$20
- B. Add Small Welt (p.70) \$20
- C. Add Medium Welt (p.70) \$20
- D. Add Medium Ruched Welt (p.70) \$20
- E. Add Large Ruched Welt (p.70) \$20
- F. Add Flange (p.70) \$20
- G. Add Top Stitch (p.70) \$20
- H. Add Edging Welt (p.70) \$20

### Face Finish

- I. Add Cord or Gimp (p.71) \$20
- J. Add Small Welt (p.71) \$20
- K. Add Cuff (p.71) \$20

Choose Size\*:  Daybed (99"x52")  Twin (63"x88")  Full (78"x88")  Queen (88"x90")  Super Queen (96"x98")  
 King (102"x90")  Super King (114"x98")  Cal King (104"x100") \*Call for custom size information.

Choose Corners\*\*:  Rounded  Square  Split Corner with Gusset (Split: \_\_\_\_\_" Mattress Size: Width \_\_\_\_\_" x Length \_\_\_\_\_")  
 \*\*See page 72 for details on the various corner options.

Choose Quantity: \_\_\_\_\_

### Choose Fabric:

1. Face Fabric: Fabric Vendor:  Eastern Accents  C.O.M. (Vendor Name: \_\_\_\_\_)  
 Fabric Code: \_\_\_\_\_ Fabric Width: \_\_\_\_\_"  Up the Roll Only (railroaded fabric pattern will run horizontally, p.4)  
 Repeat: V: \_\_\_\_\_" H: \_\_\_\_\_" Yardage Needed: \_\_\_\_\_ yds
2. Coordinate Fabric: Fabric Vendor:  Eastern Accents  C.O.M. (Vendor Name: \_\_\_\_\_)  
 Fabric Code: \_\_\_\_\_ Fabric Width: \_\_\_\_\_"  Up the Roll or Solid Only (railroaded fabric pattern will run horizontally, p.4)  
 Repeat: V: \_\_\_\_\_" H: \_\_\_\_\_" Yardage Needed: \_\_\_\_\_ yds
3. Back Fabric: Fabric Vendor:  Eastern Accents  C.O.M. (Vendor Name: \_\_\_\_\_)  
 Fabric Code: \_\_\_\_\_ Fabric Width: \_\_\_\_\_"  Railroaded:  Vertical (3b)  Horizontal (3a)  Up the Roll/Solid  
 Repeat: V: \_\_\_\_\_" H: \_\_\_\_\_" Yardage Needed: \_\_\_\_\_ yds

### Add Upgrades (optional):

4. Edge Finish:  A: Add Cord  B: Add Small Welt  C: Add Medium Welt  D: Add Medium Ruched Welt  
 E: Add Large Ruched Welt  F: Add Flange  G: Add Top Stitch  H: Add Edging Welt

#### Edge Trimming (Upgrade A):

Cord Vendor:  Eastern Accents  C.O.M. (Vendor Name: \_\_\_\_\_)  
 Cord Code: \_\_\_\_\_ Yardage Needed: \_\_\_\_\_ yds

#### Edge Fabric (Upgrade B, C, D, E, and F):

Fabric Vendor:  Eastern Accents  C.O.M. (Vendor Name: \_\_\_\_\_)  
 Fabric Code: \_\_\_\_\_ Fabric Width: \_\_\_\_\_"  Railroaded  Up the Roll/Solid  
 Repeat: V: \_\_\_\_\_" H: \_\_\_\_\_" Yardage Needed: \_\_\_\_\_ yds

5. Face Finish:  I: Add Cord or Gimp  J: Add Small Welt  K: Add Cuff

#### Face Trimming (Upgrade I):

Cord or Gimp Vendor:  Eastern Accents  C.O.M. (Vendor Name: \_\_\_\_\_)  
 Cord or Gimp Code: \_\_\_\_\_ Yardage Needed: \_\_\_\_\_ yds

#### Face Fabric (Upgrade J and K):

Fabric Vendor:  Eastern Accents  C.O.M. (Vendor Name: \_\_\_\_\_)  
 Fabric Code: \_\_\_\_\_ Fabric Width: \_\_\_\_\_"  Railroaded  Up the Roll/Solid  
 Repeat: V: \_\_\_\_\_" H: \_\_\_\_\_" Yardage Needed: \_\_\_\_\_ yds

### Special Instructions:

\_\_\_\_\_

To place your order, please sign below and email/fax this worksheet to: Custom@EasternAccents.com/800.998.3278.

Company Name: \_\_\_\_\_ Account #: \_\_\_\_\_

Phone: \_\_\_\_\_ Fax: \_\_\_\_\_ Email: \_\_\_\_\_

Signature: \_\_\_\_\_ Date: \_\_\_\_\_

Custom items cannot be exchanged and are non-returnable and non-refundable.



# Coverlet Yardage Chart - Insert

## 1. Face Fabric (Up the Roll or Solid Fabric) 54" - 58" Fabric Width

	Daybed	Twin	Full	Queen	Super Queen	King	Super King	Cal King
Any Repeat	2.25 yds	3.25 yds	3.25 yds	3.25 yds	3.5 yds	3.25 yds	3.5 yds	3.5 yds

## 2. Coordinate Fabric (Up the Roll or Solid Fabric) 54" - 58" Fabric Width

Round up to whole number	Daybed	Twin	Full	Queen	Super Queen	King	Super King	Cal King
0"-9" Vertical Repeat	2.25 yds	3.25 yds	3.25 yds	3.25 yds	3.5 yds	3.25 yds	6.5 yds	3.5 yds
10"-18" Vertical Repeat	2.25 yds	3.25 yds	3.25 yds	3.25 yds	3.5 yds	3.25 yds	6.75 yds	3.5 yds
19"-27" Vertical Repeat	2.25 yds	3.25 yds	3.25 yds	3.25 yds	3.5 yds	3.25 yds	7 yds	3.5 yds
28"-36" Vertical Repeat	2.25 yds	3.25 yds	3.25 yds	3.25 yds	3.5 yds	3.25 yds	7.25 yds	3.5 yds

## 3a. Back Fabric (Up the Roll or Solid Fabric) 54" - 58" Fabric Width

Round up to whole number	Daybed	Twin	Full	Queen	Super Queen	King	Super King	Cal King
0"-9" Vertical Repeat	4 yds	6 yds	6 yds	6 yds	6.5 yds	6 yds	9.5 yds	6.5 yds
10"-18" Vertical Repeat	4.25 yds	6.25 yds	6.25 yds	6.25 yds	6.75 yds	6.25 yds	10 yds	6.75 yds
19"-27" Vertical Repeat	4.5 yds	6.5 yds	6.5 yds	6.5 yds	7 yds	6.5 yds	10.5 yds	7 yds
28"-36" Vertical Repeat	4.75 yds	6.75 yds	6.75 yds	6.75 yds	7.25 yds	6.75 yds	11 yds	7.25 yds

## 3b. Back Fabric (Railroaded Fabric) 54" - 58" Fabric Width

Round up to whole number	Daybed	Twin	Full	Queen	Super Queen	King	Super King	Cal King
0"-9" Vertical Repeat	3.75 yds	4.5 yds	5.25 yds	5.75 yds	6.25 yds	6.5 yds	7.25 yds	6.75 yds
10"-18" Vertical Repeat	4 yds	4.75 yds	5.5 yds	6 yds	6.5 yds	6.75 yds	7.5 yds	7 yds
19"-27" Vertical Repeat	4.25 yds	5 yds	5.75 yds	6.25 yds	6.75 yds	7 yds	7.75 yds	7.25 yds
28"-36" Vertical Repeat	4.5 yds	5.25 yds	6 yds	6.5 yds	7 yds	7.25 yds	8 yds	7.5 yds

## Yardage Requirements for Upgrades

### 3. Edge Finish 54" - 58" Fabric Width for Welt and Flange Upgrades

	Daybed	Twin	Full	Queen	Super Queen	King	Super King	Cal King
Add Cord	9.25 yds	9.25 yds	10.25 yds	10.75 yds	11.75 yds	11.75 yds	12.75 yds	12.25 yds
Add Small/Medium Welt	2.5 yds	2.5 yds	2.5 yds	2.5 yds	3 yds	3 yds	3 yds	3 yds
Add Medium Ruched Welt	2 yds	2.25 yds	2.25 yds	2.25 yds	2.5 yds	2.5 yds	3 yds	2.5 yds
Add Large Ruched Welt	2.5 yds	2.75 yds	2.75 yds	2.75 yds	3 yds	3 yds	3.5 yds	3 yds
Add Flange	1.5 yds	1.5 yds	1.75 yds	1.75 yds	1.75 yds	1.75 yds	2 yds	2 yds
Add Edging Welt	2.5 yds	2.5 yds	2.5 yds	2.5 yds	3 yds	3 yds	3 yds	3 yds

### 4. Face Finish 54" - 58" Fabric Width for Welt and Cuff Upgrades

	Daybed	Twin	Full	Queen	Super Queen	King	Super King	Cal King
Add Cord or Gimp	4 yds	6 yds	6 yds	6 yds	6.5 yds	6 yds	6.5 yds	6.75 yds
Add Small Welt	2 yds	2 yds	2 yds	2 yds	2 yds	2 yds	2 yds	2 yds
Add Cuff	1 yd	1 yd	1 yd	1 yd	1 yd	1 yd	1 yd	1 yd

## Calculate Your Custom Product Cost

Base and Upgrade Charges
Base Charge: \$155
Edge Finish Upgrade Charges: \$ _____
Face Finish Upgrade Charges: \$ _____
Other Upgrade Charges: \$ _____

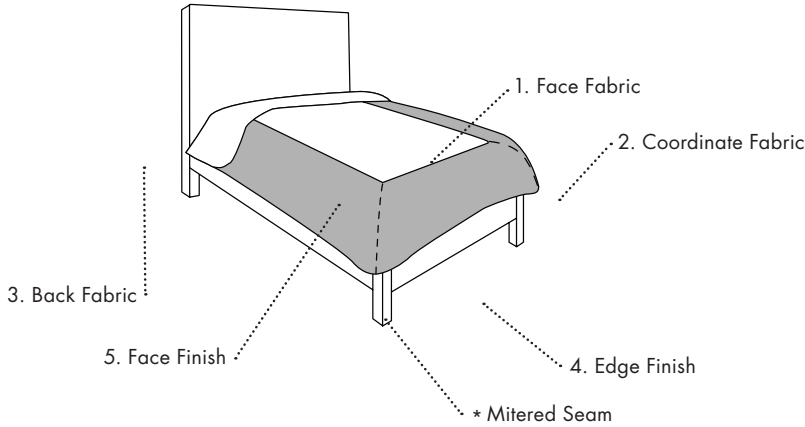
+

Material Costs
Face Fabric Cost: \$ _____
Coordinate Fabric Cost: \$ _____
Back Fabric Cost: \$ _____
Edge Finish Cost: \$ _____
Face Finish Cost: \$ _____

= Total Cost  
\$ \_\_\_\_\_

# Coverlet (1/4" batting and tacked) - Mitered

Base Charge: \$270



## Upgrade Options

### Edge Finish

- A. Add Cord (p.70) \$20
- B. Add Small Welt (p.70) \$20
- C. Add Medium Welt (p.70) \$20
- D. Add Medium Ruched Welt (p.70) \$20
- E. Add Large Ruched Welt (p.70) \$20
- F. Add Flange (p.70) \$20
- G. Add Top Stitch (p.70) \$20
- H. Add Edging Welt (p.70) \$20

### Face Finish

- I. Add Cord or Gimp (p.71) \$20
- J. Add Small Welt (p.71) \$20
- K. Add Cuff (p.71) \$20

Choose Size\*:  Daybed (99"x52")  Twin (63"x88")  Full (78"x88")  Queen (88"x90")  Super Queen (96"x98")  
 King (102"x90")  Super King (114"x98")  Cal King (104"x100") \*Call for custom size information.

Choose Corners\*\*:  Rounded  Square  Split Corner with Gusset (Split: \_\_\_\_\_" Mattress Size: Width \_\_\_\_\_" x Length \_\_\_\_\_")  
 Choose Quantity: \_\_\_\_\_ \*\*See page 72 for details on the various corner options.

## Choose Fabric:

1. Face Fabric: Fabric Vendor:  Eastern Accents  C.O.M. (Vendor Name: \_\_\_\_\_)  
 Fabric Code: \_\_\_\_\_ Fabric Width: \_\_\_\_\_"  Up the Roll or Solid Only (railroaded fabric pattern will run horizontally, p.4)  
 Repeat: V: \_\_\_\_\_" H: \_\_\_\_\_" Yardage Needed: \_\_\_\_\_ yds
2. Coordinate Fabric: Fabric Vendor:  Eastern Accents  C.O.M. (Vendor Name: \_\_\_\_\_)  
 Fabric Code: \_\_\_\_\_ Fabric Width: \_\_\_\_\_"  Up the Roll or Solid Only (railroaded fabric pattern will run horizontally, p.4)  
 Repeat: V: \_\_\_\_\_" H: \_\_\_\_\_" Yardage Needed: \_\_\_\_\_ yds
3. Back Fabric: Fabric Vendor:  Eastern Accents  C.O.M. (Vendor Name: \_\_\_\_\_)  
 Fabric Code: \_\_\_\_\_ Fabric Width: \_\_\_\_\_"  Railroaded:  Vertical (3b)  Horizontal (3a)  Up the Roll/Solid  
 Repeat: V: \_\_\_\_\_" H: \_\_\_\_\_" Yardage Needed: \_\_\_\_\_ yds

## Add Upgrades (optional):

4. Edge Finish:  A: Add Cord  B: Add Small Welt  C: Add Medium Welt  D: Add Medium Ruched Welt  
 E: Add Large Ruched Welt  F: Add Flange  G: Add Top Stitch  H: Add Edging Welt

### Edge Trimming (Upgrade A):

Cord Vendor:  Eastern Accents  C.O.M. (Vendor Name: \_\_\_\_\_)  
 Cord Code: \_\_\_\_\_ Yardage Needed: \_\_\_\_\_ yds

### Edge Fabric (Upgrade B, C, D, E, and F):

Fabric Vendor:  Eastern Accents  C.O.M. (Vendor Name: \_\_\_\_\_)  
 Fabric Code: \_\_\_\_\_ Fabric Width: \_\_\_\_\_"  Railroaded  Up the Roll/Solid  
 Repeat: V: \_\_\_\_\_" H: \_\_\_\_\_" Yardage Needed: \_\_\_\_\_ yds

5. Face Finish:  I: Add Cord or Gimp  J: Add Small Welt  K: Add Cuff

### Face Trimming (Upgrade I):

Cord or Gimp Vendor:  Eastern Accents  C.O.M. (Vendor Name: \_\_\_\_\_)  
 Cord or Gimp Code: \_\_\_\_\_ Yardage Needed: \_\_\_\_\_ yds

### Face Fabric (Upgrade J and K):

Fabric Vendor:  Eastern Accents  C.O.M. (Vendor Name: \_\_\_\_\_)  
 Fabric Code: \_\_\_\_\_ Fabric Width: \_\_\_\_\_"  Railroaded  Up the Roll/Solid  
 Repeat: V: \_\_\_\_\_" H: \_\_\_\_\_" Yardage Needed: \_\_\_\_\_ yds

## Special Instructions:

To place your order, please sign below and email/fax this worksheet to: Custom@EasternAccents.com/800.998.3278.

Company Name: \_\_\_\_\_ Account #: \_\_\_\_\_

Phone: \_\_\_\_\_ Fax: \_\_\_\_\_ Email: \_\_\_\_\_

Signature: \_\_\_\_\_ Date: \_\_\_\_\_

Custom items cannot be exchanged and are non-returnable and non-refundable.

Do not send C.O.M. fabrics or trimmings prior to receiving your order confirmation number.

# Coverlet Yardage Chart - Mitered

## 1. Face Fabric (Up the Roll or Solid Fabric) 54" - 58" Fabric Width

	Daybed	Twin	Full	Queen	Super Queen	King	Super King	Cal King
Any Repeat	1.5 yds	2.75 yds	2.75 yds	2.75 yds	2.75 yds	2.5 yds	2.5 yds	2.75 yds

## 2. Coordinate Fabric (Up the Roll or Solid Fabric) 54" - 58" Fabric Width

Round up to whole number	Daybed	Twin	Full	Queen	Super Queen	King	Super King	Cal King
0"-9" Vertical Repeat	4 yds	3.25 yds	3.25 yds	3.5 yds	6.5 yds	6 yds	10 yds	6.5 yds
10"-18" Vertical Repeat	4.25 yds	3.25 yds	3.25 yds	3.75 yds	6.75 yds	6.25 yds	10.5 yds	6.75 yds
19"-27" Vertical Repeat	4.5 yds	3.25 yds	3.5 yds	4 yds	7 yds	6.5 yds	11 yds	7 yds
28"-36" Vertical Repeat	4.75 yds	3.5 yds	3.75 yds	4.25 yds	7.25 yds	6.75 yds	11.5 yds	7.25 yds

## 3a. Back Fabric (Up the Roll or Solid Fabric) 54" - 58" Fabric Width

Round up to whole number	Daybed	Twin	Full	Queen	Super Queen	King	Super King	Cal King
0"-9" Vertical Repeat	4 yds	6 yds	6 yds	6 yds	6.5 yds	6 yds	9.5 yds	6.5 yds
10"-18" Vertical Repeat	4.25 yds	6.25 yds	6.25 yds	6.25 yds	6.75 yds	6.25 yds	10 yds	6.75 yds
19"-27" Vertical Repeat	4.5 yds	6.5 yds	6.5 yds	6.5 yds	7 yds	6.5 yds	10.5 yds	7 yds
28"-36" Vertical Repeat	4.75 yds	6.75 yds	6.75 yds	6.75 yds	7.25 yds	6.75 yds	11 yds	7.25 yds

## 3b. Back Fabric (Railroaded Fabric) 54" - 58" Fabric Width

Round up to whole number	Daybed	Twin	Full	Queen	Super Queen	King	Super King	Cal King
0"-9" Vertical Repeat	3.75 yds	4.5 yds	5.25 yds	5.75 yds	6.25 yds	6.5 yds	7.25 yds	6.75 yds
10"-18" Vertical Repeat	4 yds	4.75 yds	5.5 yds	6 yds	6.5 yds	6.75 yds	7.5 yds	7 yds
19"-27" Vertical Repeat	4.25 yds	5 yds	5.75 yds	6.25 yds	6.75 yds	7 yds	7.75 yds	7.25 yds
28"-36" Vertical Repeat	4.5 yds	5.25 yds	6 yds	6.5 yds	7 yds	7.25 yds	8 yds	7.5 yds

## Yardage Requirements for Upgrades

### 3. Edge Finish 54" - 58" Fabric Width for Welt and Flange Upgrades

	Daybed	Twin	Full	Queen	Super Queen	King	Super King	Cal King
Add Cord	9.25 yds	9.25 yds	10.25 yds	10.75 yds	11.75 yds	11.75 yds	12.75 yds	12.25 yds
Add Small/Medium Welt	2.5 yds	2.5 yds	2.5 yds	2.5 yds	3 yds	3 yds	3 yds	3 yds
Add Medium Ruched Welt	2 yds	2.25 yds	2.25 yds	2.25 yds	2.5 yds	2.5 yds	3 yds	2.5 yds
Add Large Ruched Welt	2.5 yds	2.75 yds	2.75 yds	2.75 yds	3 yds	3 yds	3.5 yds	3 yds
Add Flange	1.5 yds	1.5 yds	1.75 yds	1.75 yds	1.75 yds	1.75 yds	2 yds	2 yds
Add Edging Welt	2.5 yds	2.5 yds	2.5 yds	2.5 yds	3 yds	3 yds	3 yds	3 yds

### 4. Face Finish 54" - 58" Fabric Width for Welt and Cuff Upgrades

	Daybed	Twin	Full	Queen	Super Queen	King	Super King	Cal King
Add Cord or Gimp	4 yds	6 yds	6 yds	6 yds	6.5 yds	6 yds	6.5 yds	6.75 yds
Add Small Welt	2 yds	2 yds	2 yds	2 yds	2 yds	2 yds	2 yds	2 yds
Add Cuff	1 yd	1 yd	1 yd	1 yd	1 yd	1 yd	1 yd	1 yd

## Calculate Your Custom Product Cost

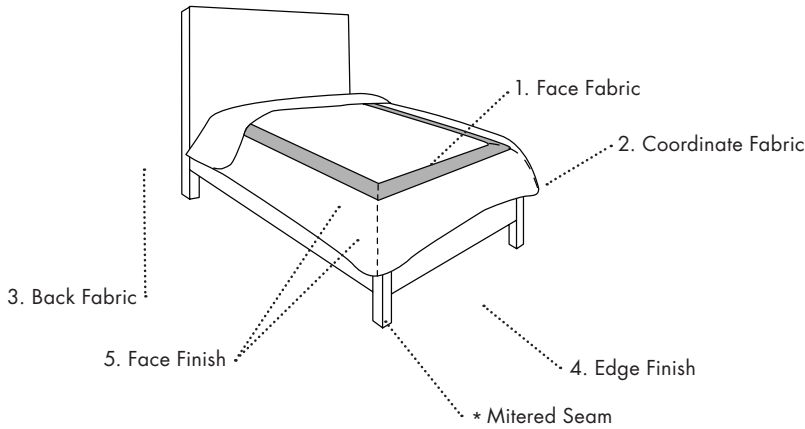
Base and Upgrade Charges
Base Charge: \$270
Edge Finish Upgrade Charges: \$ _____
Face Finish Upgrade Charges: \$ _____
Other Upgrade Charges: \$ _____

+

Material Costs
Face Fabric Cost: \$ _____
Coordinate Fabric Cost: \$ _____
Back Fabric Cost: \$ _____
Edge Finish Cost: \$ _____
Face Finish Cost: \$ _____

= Total Cost  
\$ \_\_\_\_\_

# Coverlet (1/4" batting and tacked) - Mitered Insert



Base Charge: \$270

## Upgrade Options

### Edge Finish

- A. Add Cord (p.70) \$20
- B. Add Small Welt (p.70) \$20
- C. Add Medium Welt (p.70) \$20
- D. Add Medium Ruched Welt (p.70) \$20
- E. Add Large Ruched Welt (p.70) \$20
- F. Add Flange (p.70) \$20
- G. Add Top Stitch (p.70) \$20
- H. Add Edging Welt (p.70) \$20

### Face Finish

- I. Add Cord or Gimp (p.71) \$20
- J. Add Small Welt (p.71) \$20

Choose Size\*:  Daybed (99"x52")  Twin (63"x88")  Full (78"x88")  Queen (88"x90")  Super Queen (96"x98")  
 King (102"x90")  Super King (114"x98")  Cal King (104"x100") \*Call for custom size information.

Choose Corners\*\*:  Rounded  Square  Split Corner with Gusset (Split: \_\_\_\_\_" Mattress Size: Width \_\_\_\_\_" x Length \_\_\_\_\_")  
 Choose Quantity: \_\_\_\_\_ \*\*See page 72 for details on the various corner options.

## Choose Fabric:

1. Face Fabric: Fabric Vendor:  Eastern Accents  C.O.M. (Vendor Name: \_\_\_\_\_)  
 Fabric Code: \_\_\_\_\_ Fabric Width: \_\_\_\_\_"  Up the Roll or Solid Only  
 Repeat: V: \_\_\_\_\_" H: \_\_\_\_\_" Yardage Needed: \_\_\_\_\_ yds
2. Coordinate Fabric: Fabric Vendor:  Eastern Accents  C.O.M. (Vendor Name: \_\_\_\_\_)  
 Fabric Code: \_\_\_\_\_ Fabric Width: \_\_\_\_\_"  Up the Roll or Solid Only  
 Repeat: V: \_\_\_\_\_" H: \_\_\_\_\_" Yardage Needed: \_\_\_\_\_ yds
3. Back Fabric: Fabric Vendor:  Eastern Accents  C.O.M. (Vendor Name: \_\_\_\_\_)  
 Fabric Code: \_\_\_\_\_ Fabric Width: \_\_\_\_\_"  Railroaded:  Vertical (3b)  Horizontal (3a)  Up the Roll/Solid  
 Repeat: V: \_\_\_\_\_" H: \_\_\_\_\_" Yardage Needed: \_\_\_\_\_ yds

## Add Upgrades (optional):

4. Edge Finish:  A: Add Cord  B: Add Small Welt  C: Add Medium Welt  D: Add Medium Ruched Welt  
 E: Add Large Ruched Welt  F: Add Flange  G: Add Top Stitch  H: Add Edging Welt

### Edge Trimming (Upgrade A):

Cord Vendor:  Eastern Accents  C.O.M. (Vendor Name: \_\_\_\_\_)  
 Cord Code: \_\_\_\_\_ Yardage Needed: \_\_\_\_\_ yds

### Edge Fabric (Upgrade B, C, D, E, and F):

Fabric Vendor:  Eastern Accents  C.O.M. (Vendor Name: \_\_\_\_\_)  
 Fabric Code: \_\_\_\_\_ Fabric Width: \_\_\_\_\_"  Railroaded  Up the Roll  
 Repeat: V: \_\_\_\_\_" H: \_\_\_\_\_" Yardage Needed: \_\_\_\_\_ yds

5. Face Finish:  I: Add Cord or Gimp  J: Add Small Welt

### Face Trimming (Upgrade I):

Cord or Gimp Vendor:  Eastern Accents  C.O.M. (Vendor Name: \_\_\_\_\_)  
 Cord or Gimp Code: \_\_\_\_\_ Yardage Needed: \_\_\_\_\_ yds

### Face Fabric (Upgrade J):

Fabric Vendor:  Eastern Accents  C.O.M. (Vendor Name: \_\_\_\_\_)  
 Fabric Code: \_\_\_\_\_ Fabric Width: \_\_\_\_\_"  Railroaded  Up the Roll/Solid  
 Repeat: V: \_\_\_\_\_" H: \_\_\_\_\_" Yardage Needed: \_\_\_\_\_ yds

## Special Instructions:

To place your order, please sign below and email/fax this worksheet to: Custom@EasternAccents.com/800.998.3278.

Company Name: \_\_\_\_\_ Account #: \_\_\_\_\_

Phone: \_\_\_\_\_ Fax: \_\_\_\_\_ Email: \_\_\_\_\_

Signature: \_\_\_\_\_ Date: \_\_\_\_\_

Custom items cannot be exchanged and are non-returnable and non-refundable.

# Coverlet Yardage Chart - Mitered Insert

## 1. Face Fabric (Up the Roll or Solid Fabric) 54" - 58" Fabric Width

Round up to whole number	Daybed	Twin	Full	Queen	Super Queen	King	Super King	Cal King
0"-9" Vertical Repeat	4.75 yds	4.75 yds	5.5 yds	5.5 yds	6 yds	5.75 yds	9.25 yds	6 yds
10"-18" Vertical Repeat	5 yds	5 yds	5.75 yds	5.75 yds	6.25 yds	6 yds	9.75 yds	6.25 yds
19"-27" Vertical Repeat	5.25 yds	5.25 yds	6 yds	6 yds	6.5 yds	6.25 yds	10.25 yds	6.5 yds
28"-36" Vertical Repeat	5.5 yds	5.5 yds	6.25 yds	6.25 yds	6.75 yds	6.5 yds	10.75 yds	6.75 yds

## 2. Coordinate Fabric (Up the Roll or Solid Fabric) 54" - 58" Fabric Width

	Daybed	Twin	Full	Queen	Super Queen	King	Super King	Cal King
Any Repeat	2.5 yds	2.75 yds	2.75 yds	3 yds	3 yds	2.75 yds	2.75 yds	3 yds

## 3a. Back Fabric (Up the Roll or Solid Fabric) 54" - 58" Fabric Width

Round up to whole number	Daybed	Twin	Full	Queen	Super Queen	King	Super King	Cal King
0"-9" Vertical Repeat	4 yds	6 yds	6 yds	6 yds	6.5 yds	6 yds	9.5 yds	6.5 yds
10"-18" Vertical Repeat	4.25 yds	6.25 yds	6.25 yds	6.25 yds	6.75 yds	6.25 yds	10 yds	6.75 yds
19"-27" Vertical Repeat	4.5 yds	6.5 yds	6.5 yds	6.5 yds	7 yds	6.5 yds	10.5 yds	7 yds
28"-36" Vertical Repeat	4.75 yds	6.75 yds	6.75 yds	6.75 yds	7.25 yds	6.75 yds	11 yds	7.25 yds

## 3b. Back Fabric (Railroaded Fabric) 54" - 58" Fabric Width

Round up to whole number	Daybed	Twin	Full	Queen	Super Queen	King	Super King	Cal King
0"-9" Vertical Repeat	3.75 yds	4.5 yds	5.25 yds	5.75 yds	6.25 yds	6.5 yds	7.25 yds	6.75 yds
10"-18" Vertical Repeat	4 yds	4.75 yds	5.5 yds	6 yds	6.5 yds	6.75 yds	7.5 yds	7 yds
19"-27" Vertical Repeat	4.25 yds	5 yds	5.75 yds	6.25 yds	6.75 yds	7 yds	7.75 yds	7.25 yds
28"-36" Vertical Repeat	4.5 yds	5.25 yds	6 yds	6.5 yds	7 yds	7.25 yds	8 yds	7.5 yds

## Yardage Requirements for Upgrades

### 3. Edge Finish 54" - 58" Fabric Width for Welt and Flange Upgrades

	Daybed	Twin	Full	Queen	Super Queen	King	Super King	Cal King
Add Cord	9.25 yds	9.25 yds	10.25 yds	10.75 yds	11.75 yds	11.75 yds	12.75 yds	12.25 yds
Add Small/Medium Welt	2.5 yds	2.5 yds	2.5 yds	2.5 yds	3 yds	3 yds	3 yds	3 yds
Add Medium Ruched Welt	2 yds	2.25 yds	2.25 yds	2.25 yds	2.5 yds	2.5 yds	3 yds	2.5 yds
Add Large Ruched Welt	2.5 yds	2.75 yds	2.75 yds	2.75 yds	3 yds	3 yds	3.5 yds	3 yds
Add Flange	1.5 yds	1.5 yds	1.75 yds	1.75 yds	1.75 yds	1.75 yds	2 yds	2 yds
Add Edging Welt	2.5 yds	2.5 yds	2.5 yds	2.5 yds	3 yds	3 yds	3 yds	3 yds

### 4. Face Finish 54" - 58" Fabric Width for Welt Upgrade

	Daybed	Twin	Full	Queen	Super Queen	King	Super King	Cal King
Add Cord or Gimp	4 yds	6 yds	6 yds	6 yds	6.5 yds	6 yds	6.5 yds	6.75 yds
Add Small Welt	2 yds	2 yds	2 yds	2 yds	2 yds	2 yds	2 yds	2 yds

## Calculate Your Custom Product Cost

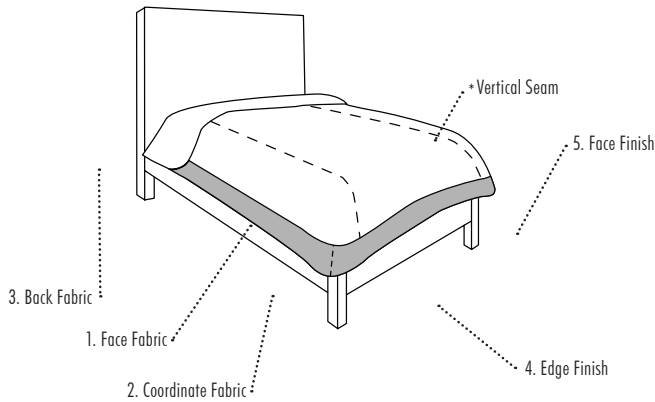
Base and Upgrade Charges
Base Charge: \$270
Edge Finish Upgrade Charges: \$ _____
Face Finish Upgrade Charges: \$ _____
Other Upgrade Charges: \$ _____

+

Material Costs
Face Fabric Cost: \$ _____
Coordinate Fabric Cost: \$ _____
Back Fabric Cost: \$ _____
Edge Finish Cost: \$ _____
Face Finish Cost: \$ _____

= Total Cost  
\$ \_\_\_\_\_

# Coverlet (1/4" batting and tacked) - Mitered Edge



Base Charge: \$270

## Upgrade Options

### Edge Finish

- A. Add Cord (p.70) \$20
- B. Add Small Welt (p.70) \$20
- C. Add Medium Welt (p.70) \$20
- D. Add Medium Ruched Welt (p.70) \$20
- E. Add Large Ruched Welt (p.70) \$20
- F. Add Flange (p.70) \$20
- G. Add Top Stitch (p.70) \$20
- H. Add Edging Welt (p.70) \$20

### Face Finish

- I. Add Cord or Gimp (p.71) \$20
- J. Add Small Welt (p.71) \$20

Choose Size\*:  Daybed (99"x52")  Twin (63"x88")  Full (78"x88")  Queen (88"x90")  Super Queen (96"x98")  
 King (102"x90")  Super King (114"x98")  Cal King (104"x100") \*Call for custom size information.

Choose Corners\*\*:  Rounded  Square  Split Corner with Gusset (Split: \_\_\_\_\_" Mattress Size: Width \_\_\_\_\_" x Length \_\_\_\_\_")  
 Choose Quantity: \_\_\_\_\_ \*\*See page 72 for details on the various corner options.

### Choose Fabric:

1. Face Fabric: Fabric Vendor:  Eastern Accents  C.O.M. (Vendor Name: \_\_\_\_\_)  
 Fabric Code: \_\_\_\_\_ Fabric Width: \_\_\_\_\_"  Up the Roll or Solid Only (railroaded fabric pattern will run horizontally, p.4)  
 Repeat: V: \_\_\_\_\_" H: \_\_\_\_\_" Yardage Needed: \_\_\_\_\_ yds
2. Coordinate Fabric: Fabric Vendor:  Eastern Accents  C.O.M. (Vendor Name: \_\_\_\_\_)  
 Fabric Code: \_\_\_\_\_ Fabric Width: \_\_\_\_\_"  Up the Roll or Solid Only  
 Repeat: V: \_\_\_\_\_" H: \_\_\_\_\_" Yardage Needed: \_\_\_\_\_ yds
3. Back Fabric: Fabric Vendor:  Eastern Accents  C.O.M. (Vendor Name: \_\_\_\_\_)  
 Fabric Code: \_\_\_\_\_ Fabric Width: \_\_\_\_\_"  Railroaded:  Vertical (3b)  Horizontal (3a)  Up the Roll/Solid  
 Repeat: V: \_\_\_\_\_" H: \_\_\_\_\_" Yardage Needed: \_\_\_\_\_ yds

### Add Upgrades (optional):

4. Edge Finish:  A: Add Cord  B: Add Small Welt  C: Add Medium Welt  D: Add Medium Ruched Welt  
 E: Add Large Ruched Welt  F: Add Flange  G: Add Top Stitch  H: Add Edging Welt

#### Edge Trimming (Upgrade A):

Cord Vendor:  Eastern Accents  C.O.M. (Vendor Name: \_\_\_\_\_)  
 Cord Code: \_\_\_\_\_ Yardage Needed: \_\_\_\_\_ yds

#### Edge Fabric (Upgrade B, C, D, E, and F):

Fabric Vendor:  Eastern Accents  C.O.M. (Vendor Name: \_\_\_\_\_)  
 Fabric Code: \_\_\_\_\_ Fabric Width: \_\_\_\_\_"  Railroaded  Up the Roll/Solid  
 Repeat: V: \_\_\_\_\_" H: \_\_\_\_\_" Yardage Needed: \_\_\_\_\_ yds

5. Face Finish:  I: Add Cord or Gimp  J: Add Small Welt

#### Face Trimming (Upgrade I):

Cord or Gimp Vendor:  Eastern Accents  C.O.M. (Vendor Name: \_\_\_\_\_)  
 Cord or Gimp Code: \_\_\_\_\_ Yardage Needed: \_\_\_\_\_ yds

#### Face Fabric (Upgrade J):

Fabric Vendor:  Eastern Accents  C.O.M. (Vendor Name: \_\_\_\_\_)  
 Fabric Code: \_\_\_\_\_ Fabric Width: \_\_\_\_\_"  Railroaded  Up the Roll/Solid  
 Repeat: V: \_\_\_\_\_" H: \_\_\_\_\_" Yardage Needed: \_\_\_\_\_ yds

### Special Instructions:

To place your order, please sign below and email/fax this worksheet to: Custom@EasternAccents.com/800.998.3278.

Company Name: \_\_\_\_\_ Account #: \_\_\_\_\_

Phone: \_\_\_\_\_ Fax: \_\_\_\_\_ Email: \_\_\_\_\_

Signature: \_\_\_\_\_ Date: \_\_\_\_\_

Custom items cannot be exchanged and are non-returnable and non-refundable.

# Coverlet Yardage Chart - Mitered Edge

## 1. Face Fabric (Up the Roll or Solid Fabric) 54" - 58" Fabric Width

Round up to whole number	Daybed	Twin	Full	Queen	Super Queen	King	Super King	Cal King
0"-9" Vertical Repeat	3.5 yds	3 yds	5.5 yds	5.75 yds	6 yds	5.75 yds	6 yds	6.25 yds
10"-18" Vertical Repeat	3.75 yds	3 yds	5.75 yds	6 yds	6.25 yds	6 yds	6.25 yds	6.5 yds
19"-27" Vertical Repeat	4 yds	3 yds	6 yds	6.25 yds	6.5 yds	6.25 yds	6.5 yds	6.75 yds
28"-36" Vertical Repeat	4.25 yds	3 yds	6.25 yds	6.5 yds	6.75 yds	6.5 yds	6.75 yds	7 yds

## 2. Coordinate Fabric (Up the Roll or Solid Fabric) 54" - 58" Fabric Width

	Daybed	Twin	Full	Queen	Super Queen	King	Super King	Cal King
Any Repeat	3.5 yds	3.25 yds	3.25 yds	3.25 yds	3.5 yds	3.5 yds	4 yds	3.75 yds

## 3a. Back Fabric (Up the Roll or Solid Fabric) 54" - 58" Fabric Width

Round up to whole number	Daybed	Twin	Full	Queen	Super Queen	King	Super King	Cal King
0"-9" Vertical Repeat	4 yds	6 yds	6 yds	6 yds	6.5 yds	6 yds	9.5 yds	6.5 yds
10"-18" Vertical Repeat	4.25 yds	6.25 yds	6.25 yds	6.25 yds	6.75 yds	6.25 yds	10 yds	6.75 yds
19"-27" Vertical Repeat	4.5 yds	6.5 yds	6.5 yds	6.5 yds	7 yds	6.5 yds	10.5 yds	7 yds
28"-36" Vertical Repeat	4.75 yds	6.75 yds	6.75 yds	6.75 yds	7.25 yds	6.75 yds	11 yds	7.25 yds

## 3b. Back Fabric (Railroaded Fabric) 54" - 58" Fabric Width

Round up to whole number	Daybed	Twin	Full	Queen	Super Queen	King	Super King	Cal King
0"-9" Vertical Repeat	3.75 yds	4.5 yds	5.25 yds	5.75 yds	6.25 yds	6.5 yds	7.25 yds	6.75 yds
10"-18" Vertical Repeat	4 yds	4.75 yds	5.5 yds	6 yds	6.5 yds	6.75 yds	7.5 yds	7 yds
19"-27" Vertical Repeat	4.25 yds	5 yds	5.75 yds	6.25 yds	6.75 yds	7 yds	7.75 yds	7.25 yds
28"-36" Vertical Repeat	4.5 yds	5.25 yds	6 yds	6.5 yds	7 yds	7.25 yds	8 yds	7.5 yds

## Yardage Requirements for Upgrades

### 3. Edge Finish 54" - 58" Fabric Width for Welt and Flange Upgrades

	Daybed	Twin	Full	Queen	Super Queen	King	Super King	Cal King
Add Cord	9.25 yds	9.25 yds	10.25 yds	10.75 yds	11.75 yds	11.75 yds	12.75 yds	12.25 yds
Add Small/Medium Welt	2.5 yds	2.5 yds	2.5 yds	2.5 yds	3 yds	3 yds	3 yds	3 yds
Add Medium Ruched Welt	2 yds	2.25 yds	2.25 yds	2.25 yds	2.5 yds	2.5 yds	3 yds	2.5 yds
Add Large Ruched Welt	2.5 yds	2.75 yds	2.75 yds	2.75 yds	3 yds	3 yds	3.5 yds	3 yds
Add Flange	1.5 yds	1.5 yds	1.75 yds	1.75 yds	1.75 yds	1.75 yds	2 yds	2 yds
Add Edging Welt	2.5 yds	2.5 yds	2.5 yds	2.5 yds	3 yds	3 yds	3 yds	3 yds

### 4. Face Finish 54" - 58" Fabric Width for Welt Upgrade

	Daybed	Twin	Full	Queen	Super Queen	King	Super King	Cal King
Add Cord or Gimp	4 yds	6 yds	6 yds	6 yds	6.5 yds	6 yds	6.5 yds	6.75 yds
Add Small Welt	2 yds	2 yds	2 yds	2 yds	2 yds	2 yds	2 yds	2 yds

## Calculate Your Custom Product Cost

Base and Upgrade Charges
Base Charge: \$270
Edge Finish Upgrade Charges: \$ _____
Face Finish Upgrade Charges: \$ _____
Other Upgrade Charges: \$ _____

+

Material Costs
Face Fabric Cost: \$ _____
Coordinate Fabric Cost: \$ _____
Back Fabric Cost: \$ _____
Edge Finish Cost: \$ _____
Face Finish Cost: \$ _____

= Total Cost  
\$ \_\_\_\_\_

# Bed Skirt - Straight

Base Charge: \$90

## Upgrade Options

### Bottom Edge Finish

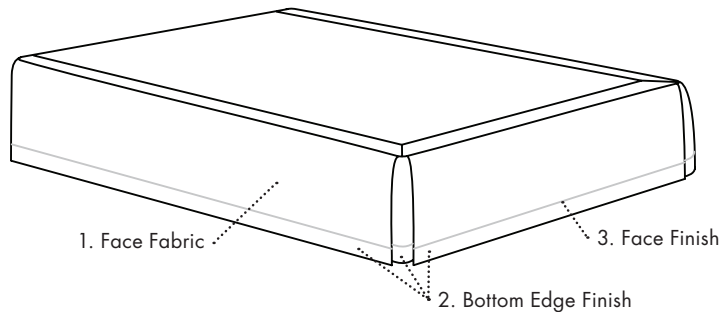
- A. Add 3.5" Banding (p.73) \$30
- B. Add Border or Ribbon (p.73) \$30

### Face Finish

- C. Add Gimp (p.73) \$30

### Other

- D. Add Lining (p.73) \$50
- E. Add Velcro (p.73) \$35



Choose Size\*:  Daybed (75"x39")  Twin (39"x75")  Full (54"x79")  Queen (60"x80")  King (78"x80")  Cal King (72"x84")  
 \*Call for custom size information.

Choose Drop:  16" (standard)  Custom: \_\_\_\_\_"

Choose Quantity: \_\_\_\_\_

### Choose Fabric:

1. Face Fabric: Fabric Vendor:  Eastern Accents  C.O.M. (Vendor Name: \_\_\_\_\_ )  
 Fabric Code: \_\_\_\_\_ Fabric Width: \_\_\_\_\_"  Railroaded (vertical pattern only)  Solid  
 Repeat: V: \_\_\_\_\_" H: \_\_\_\_\_" Yardage Needed: \_\_\_\_\_ yds

### Add Upgrades (optional):

2. Bottom Edge Finish:  A: Add 3.5" Banding  B: Add Border or Ribbon

#### Bottom Edge Trimming (Upgrade B):

Border or Ribbon Vendor:  Eastern Accents  C.O.M. (Vendor Name: \_\_\_\_\_ )  
 Border or Ribbon Code: \_\_\_\_\_ Yardage Needed: \_\_\_\_\_ yds

#### Bottom Edge Fabric (Upgrade A):

Fabric Vendor:  Eastern Accents  C.O.M. (Vendor Name: \_\_\_\_\_ )  
 Fabric Code: \_\_\_\_\_ Fabric Width: \_\_\_\_\_"  Railroaded  Up the Roll/Solid  
 Repeat: V: \_\_\_\_\_" H: \_\_\_\_\_" Yardage Needed: \_\_\_\_\_ yds

3. Face Finish:  C: Add Gimp

#### Face Trimming (Upgrade C):

Gimp Vendor:  Eastern Accents  C.O.M. (Vendor Name: \_\_\_\_\_ )  
 Gimp Code: \_\_\_\_\_ Yardage Needed: \_\_\_\_\_ yds

Other Upgrades:  D: Add Lining  E: Add Velcro

Lining Fabric:  White  Putty

Velcro Placement Options:  Bed Skirt Attaches to Box Spring  Bed Skirt Attaches to Inside of Bed Frame

### Special Instructions:

\_\_\_\_\_  
 \_\_\_\_\_  
 \_\_\_\_\_



To place your order, please sign below and email/fax this worksheet to: Custom@EasternAccents.com/800.998.3278.

Company Name: \_\_\_\_\_ Account #: \_\_\_\_\_

Phone: \_\_\_\_\_ Fax: \_\_\_\_\_ Email: \_\_\_\_\_

Signature: \_\_\_\_\_ Date: \_\_\_\_\_

Custom items cannot be exchanged and are non-returnable and non-refundable.



# Bed Skirt Yardage Chart - Straight

## 1. Face Fabric (Solid Fabric, no repeats) 54" - 58" Fabric Width

	Daybed	Twin	Full	Queen	King	Cal King
16" or Less Drop	4 yds	4.75 yds	5 yds	5 yds	5.75 yds	5.75 yds
17"-20" Drop	4.5 yds	5.25 yds	5.5 yds	5.5 yds	6.25 yds	6.25 yds
21"-25" Drop	5 yds	6 yds	6.25 yds	6.25 yds	7.25 yds	7.25 yds
26"-30" Drop	5.5 yds	6.75 yds	7 yds	7 yds	8 yds	8 yds

## 1. Face Fabric (Railroaded Fabric) 54" - 58" Fabric Width

	Daybed	Twin	Full	Queen	King	Cal King	Large Repeats
16" or Less Drop	2.75 yds	3 yds	3.25 yds	3.25 yds	3.5 yds	3.5 yds	Add 0.75 yd
17"-20" Drop	4 yds	4.5 yds	5 yds	5.25 yds	5.75 yds	5.75 yds	Add 1.25 yds
21"-25" Drop	4 yds	4.5 yds	5 yds	5.25 yds	5.75 yds	5.75 yds	Add 1.25 yds
26"-30" Drop	5.25 yds	6.25 yds	7 yds	7.25 yds	7.75 yds	7.75 yds	Add 1.75 yds

## Yardage Requirements for Upgrades

### 2. Bottom Edge Finish 54" - 58" Fabric Width for Banding

	Daybed	Twin	Full	Queen	King	Cal King	Large Repeats
Add 3.5" Banding (UR or Solid)	1.25 yds	1.5 yds	2 yds	2 yds	2 yds	2 yds	Add .5 yd
Add 3.5" Banding (RR)	1.5 yds	1.5 yds	1.5 yds	1.5 yds	1.5 yds	1.5 yds	Add .5 yd
Add Border or Ribbon	6 yds	7 yds	7.75 yds	8 yds	8.5 yds	8.5 yds	

### 3. Face Finish

	Daybed	Twin	Full	Queen	King	Cal King
Add Gimp	6 yds	7 yds	7.75 yds	8 yds	8.5 yds	8.5 yds

## Calculate Your Custom Product Cost

Base and Upgrade Charges
Base Charge: \$90
Bottom Edge Finish Upgrade Charges: \$ _____
Face Finish Upgrade Charge: \$ _____
Other Upgrade Charges: \$ _____

+

Material Charges
Face Fabric Cost: \$ _____
Bottom Edge Finish Cost: \$ _____
Face Finish Cost: \$ _____

=

Total Cost

\$ \_\_\_\_\_

# Bed Skirt - Pleated

Base Charge: \$100

## Upgrade Options

### Bottom Edge Finish

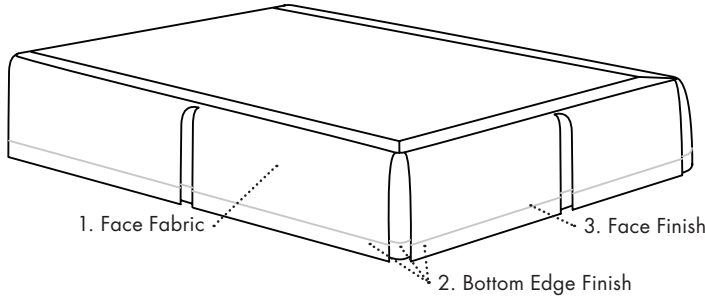
- A. Add 3.5" Banding (p.73) \$30
- B. Add Border or Ribbon (p.73) \$30

### Face Finish

- C. Add Gimp (p.73) \$30

### Other

- D. Add Lining (p.73) \$50
- E. Add Velcro (p.73) \$35



Choose Size\*:  Daybed (75"x39")  Twin (39"x75")  Full (54"x79")  Queen (60"x80")  King (78"x80")  Cal King (72"x84")  
 \*Call for custom size information.

Choose Drop:  16" (standard)  Custom: \_\_\_\_\_"

Choose Quantity: \_\_\_\_\_

### Choose Fabric:

1. Face Fabric: Fabric Vendor:  Eastern Accents  C.O.M. (Vendor Name: \_\_\_\_\_ )  
 Fabric Code: \_\_\_\_\_ Fabric Width: \_\_\_\_\_"  Railroaded:  Vertical (1b)  Horizontal (1a)  Up the Roll/Solid  
 Repeat: V: \_\_\_\_\_" H: \_\_\_\_\_" Yardage Needed: \_\_\_\_\_ yds

### Add Upgrades (optional):

2. Bottom Edge Finish:  A: Add 3.5" Banding  B: Add Border or Ribbon

#### Bottom Edge Trimming (Upgrade B):

Border or Ribbon Vendor:  Eastern Accents  C.O.M. (Vendor Name: \_\_\_\_\_ )  
 Border or Ribbon Code: \_\_\_\_\_ Yardage Needed: \_\_\_\_\_ yds

#### Bottom Edge Fabric (Upgrade A):

Fabric Vendor:  Eastern Accents  C.O.M. (Vendor Name: \_\_\_\_\_ )  
 Fabric Code: \_\_\_\_\_ Fabric Width: \_\_\_\_\_"  Railroaded  Up the Roll/Solid  
 Repeat: V: \_\_\_\_\_" H: \_\_\_\_\_" Yardage Needed: \_\_\_\_\_ yds

3. Face Finish:  C: Add Gimp

#### Face Trimming (Upgrade C):

Gimp Vendor:  Eastern Accents  C.O.M. (Vendor Name: \_\_\_\_\_ )  
 Gimp Code: \_\_\_\_\_ Yardage Needed: \_\_\_\_\_ yds

Other Upgrades:  D: Add Lining  E: Add Velcro

Lining Fabric:  White  Putty

Velcro Placement Options:  Bed Skirt Attaches to Box Spring  Bed Skirt Attaches to Inside of Bed Frame

### Special Instructions:

---



---



---

To place your order, please sign below and email/fax this worksheet to: Custom@EasternAccents.com/800.998.3278.

Company Name: \_\_\_\_\_ Account #: \_\_\_\_\_

Phone: \_\_\_\_\_ Fax: \_\_\_\_\_ Email: \_\_\_\_\_

Signature: \_\_\_\_\_ Date: \_\_\_\_\_

Custom items cannot be exchanged and are non-returnable and non-refundable.

Do not send C.O.M. fabrics or trimmings prior to receiving your order confirmation number.

# Bed Skirt Yardage Chart - Pleated

## 1a. Face Fabric (Up the Roll or Solid Fabric, no repeats) 54" - 58" Fabric Width

	Daybed	Twin	Full	Queen	King	Cal King	Large Repeats
16" or Less Drop	3.5 yds	5 yds	5.25 yds	5.25 yds	5.25 yds	5.25 yds	Add 1.25 yds
17"-20" Drop	4yds	5.75 yds	5.75 yds	5.75 yds	5.75 yds	5.75 yds	Add 1.25 yds
21"-25" Drop	4.5 yds	6.5 yds	6.75 yds	6.75 yds	6.75 yds	6.75 yds	Add 1.5 yds
26"-30" Drop	5 yds	7.5 yds	7.5 yds	7.5 yds	7.5 yds	7.5 yds	Add 1.5 yds

## 1b. Face Fabric (Railroaded Fabric) 54" - 58" Fabric Width

	Daybed	Twin	Full	Queen	King	Cal King	Large Repeats
16" or Less Drop	2.75 yds	3 yds	3.25 yds	3.25 yds	3.5 yds	3.5 yds	Add 0.75 yd
17"-20" Drop	4 yds	4.5 yds	5 yds	5.25 yds	5.75 yds	5.75 yds	Add 1.25 yds
21"-25" Drop	4 yds	4.5 yds	5 yds	5.25 yds	5.75 yds	5.75 yds	Add 1.25 yds
26"-30" Drop	5.25 yds	6.25 yds	7 yds	7.25 yds	7.75 yds	7.75 yds	Add 1.75 yds

## Yardage Requirements for Upgrades

### 2. Bottom Edge Finish 54" - 58" Fabric Width for Banding

	Daybed	Twin	Full	Queen	King	Cal King	Large Repeats
Add 3.5" Banding (UR or Solid)	1.25 yds	1.5 yds	2 yds	2 yds	2 yds	2 yds	Add .5 yd
Add 3.5" Banding (RR)	1.5 yds	1.5 yds	1.5 yds	1.5 yds	1.5 yds	1.5 yds	Add .5 yd
Add Border or Ribbon	6 yds	7 yds	7.75 yds	8 yds	8.5 yds	8.5 yds	

### 3. Face Finish

	Daybed	Twin	Full	Queen	King	Cal King
Add Gimp	6 yds	7 yds	7.75 yds	8 yds	8.5 yds	8.5 yds

## Calculate Your Custom Product Cost

Base and Upgrade Charges
Base Charge: \$100
Bottom Edge Finish Upgrade Charges: \$ _____
Face Finish Upgrade Charge: \$ _____
Other Upgrade Charges: \$ _____

+

Material Costs
Face Fabric Cost: \$ _____
Bottom Edge Finish Cost: \$ _____
Face Finish Cost: \$ _____

= Total Cost  
\$ \_\_\_\_\_

# Bed Skirt - Ruffled

Base Charge: \$110

## Upgrade Options

### Bottom Edge Finish

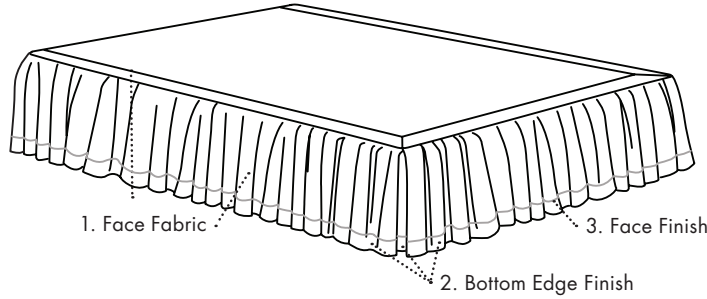
- A. Add 3.5" Banding (p.73) \$30
- B. Add Border or Ribbon (p.73) \$30

### Face Finish

- C. Add Gimp (p.73) \$30

### Other

- D. Add Lining (p.73) \$50
- E. Add Velcro (p.73) \$35



Choose Size\*:  Daybed (75"x39")  Twin (39"x75")  Full (54"x79")  Queen (60"x80")  King (78"x80")  Cal King (72"x84")  
\*Call for custom size information.

Choose Drop:  16" (standard)  Custom: \_\_\_\_\_"

Choose Quantity: \_\_\_\_\_

### Choose Fabric:

1. Face Fabric: Fabric Vendor:  Eastern Accents  C.O.M. (Vendor Name: \_\_\_\_\_ )  
Fabric Code: \_\_\_\_\_ Fabric Width: \_\_\_\_\_"  Railroaded:  Vertical (1b)  Horizontal (1a)  Up the Roll/Solid  
Repeat: V: \_\_\_\_\_" H: \_\_\_\_\_" Yardage Needed: \_\_\_\_\_ yds

### Add Upgrades (optional):

2. Bottom Edge Finish:  A: Add 3.5" Banding  B: Add Border or Ribbon

#### Bottom Edge Trimming (Upgrade B):

Border or Ribbon Vendor:  Eastern Accents  C.O.M. (Vendor Name: \_\_\_\_\_ )  
Border or Ribbon Code: \_\_\_\_\_ Yardage Needed: \_\_\_\_\_ yds

#### Bottom Edge Fabric (Upgrade A):

Fabric Vendor:  Eastern Accents  C.O.M. (Vendor Name: \_\_\_\_\_ )  
Fabric Code: \_\_\_\_\_ Fabric Width: \_\_\_\_\_"  Railroaded  Up the Roll/Solid  
Repeat: V: \_\_\_\_\_" H: \_\_\_\_\_" Yardage Needed: \_\_\_\_\_ yds

3. Face Finish:  C: Add Gimp

#### Face Trimming (Upgrade C):

Gimp Vendor:  Eastern Accents  C.O.M. (Vendor Name: \_\_\_\_\_ )  
Gimp Code: \_\_\_\_\_ Yardage Needed: \_\_\_\_\_ yds

Other Upgrades:  D: Add Lining  E: Add Velcro

Lining Fabric:  White  Putty

Velcro Placement Options:  Bed Skirt Attaches to Box Spring  Bed Skirt Attaches to Inside of Bed Frame

### Special Instructions:

\_\_\_\_\_  
\_\_\_\_\_  
\_\_\_\_\_

To place your order, please sign below and email/fax this worksheet to: Custom@EasternAccents.com/800.998.3278.

Company Name: \_\_\_\_\_ Account #: \_\_\_\_\_

Phone: \_\_\_\_\_ Fax: \_\_\_\_\_ Email: \_\_\_\_\_

Signature: \_\_\_\_\_ Date: \_\_\_\_\_

Custom items cannot be exchanged and are non-returnable and non-refundable.

Do not send C.O.M. fabrics or trimmings prior to receiving your order confirmation number.

# Bed Skirt Yardage Chart - Ruffled

## 1a. Face Fabric (Up the Roll or Solid Fabric, no repeats) 54" - 58" Fabric Width

	Daybed	Twin	Full	Queen	King	Cal King	Large Repeats
16" or Less Drop	5.75 yds	6.5 yds	7.5 yds	7.5 yds	8.25 yds	8.25 yds	Add 1.75 yds
17"-20" Drop	6.5 yds	7.5 yds	8.5 yds	8.5 yds	9.25 yds	9.25 yds	Add 2 yds
21"-25" Drop	7.5 yds	8.5 yds	9.75 yds	9.75 yds	10.75 yds	10.75 yds	Add 2.25 yds
26"-30" Drop	8.5 yds	9.75 yds	11 yds	11 yds	12 yds	12 yds	Add 2.5 yds

## 1b. Face Fabric (Railroaded Fabric) 54" - 58" Fabric Width

	Daybed	Twin	Full	Queen	King	Cal King	Large Repeats
16" or Less Drop	4.5 yds	4.75 yds	5 yds	5 yds	5.25 yds	5.25 yds	Add 1.25 yds
17"-20" Drop	4.75 yds	7 yds	8yds	8.5 yds	9.5 yds	9.5 yds	Add 2 yds
21"-25" Drop	4.75 yds	7 yds	8 yds	8.5 yds	9.5 yds	9.5 yds	Add 2 yds
26"-30" Drop	8.5 yds	10.5 yds	12 yds	12.25 yds	13.25 yds	13.25 yds	Add 2.75 yds

## Yardage Requirements for Upgrades

### 2. Bottom Edge Finish 54" - 58" Fabric Width for Banding

	Daybed	Twin	Full	Queen	King	Cal King	Large Repeats
Add 3.5" Banding (UR or Solid)	2.25 yds	2.5 yds	3.5 yds	3.5 yds	3.5 yds	3.5 yds	Add .5 yd
Add 3.5" Banding (RR)	1.75 yds	1.75 yds	1.75 yds	1.75 yds	1.75 yds	1.75 yds	Add .5 yd
Add Border or Ribbon	8.5 yds	10.5 yds	12 yds	12.25 yds	13.25 yds	13.25 yds	

### 3. Face Finish

	Daybed	Twin	Full	Queen	King	Cal King
Add Gimp	8.5 yds	10.5 yds	12 yds	12.25 yds	13.25 yds	13.25 yds

## Calculate Your Custom Product Cost

Base and Upgrade Charges
Base Charge: \$110
Bottom Edge Finish Upgrade Charges: \$ _____
Face Finish Upgrade Charge: \$ _____
Other Upgrade Charges: \$ _____

+

Material Costs
Face Fabric Cost: \$ _____
Bottom Edge Finish Cost: \$ _____
Face Finish Cost: \$ _____

= Total Cost  
\$ \_\_\_\_\_

# Bed Skirt - Box Pleat

Base Charge: \$130

## Upgrade Options

### Bottom Edge Finish

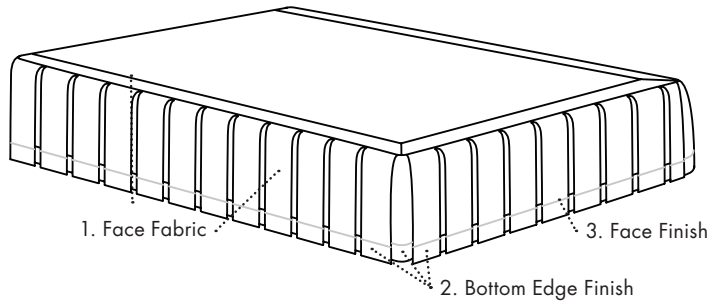
- A. Add 3.5" Banding (p.73) \$30
- B. Add Border or Ribbon (p.73) \$30

### Face Finish

- C. Add Gimp (p.73) \$30

### Other

- D. Add Lining (p.73) \$50
- E. Add Velcro (p.73) \$35



Choose Size\*:  Daybed (75"x39")  Twin (39"x75")  Full (54"x79")  Queen (60"x80")  King (78"x80")  Cal King (72"x84")  
\*Call for custom size information.

Choose Drop:  16" (standard)  Custom: \_\_\_\_\_"

Choose Quantity: \_\_\_\_\_

### Choose Fabric:

1. Face Fabric: Fabric Vendor:  Eastern Accents  C.O.M. (Vendor Name: \_\_\_\_\_ )  
Fabric Code: \_\_\_\_\_ Fabric Width: \_\_\_\_\_"  Railroaded:  Vertical (1b)  Horizontal (1a)  Up the Roll/Solid  
Repeat: V: \_\_\_\_\_" H: \_\_\_\_\_" Yardage Needed: \_\_\_\_\_ yds

### Add Upgrades (optional):

2. Bottom Edge Finish:  A: Add 3.5" Banding  B: Add Border or Ribbon

#### Bottom Edge Trimming (Upgrade B):

Border or Ribbon Vendor:  Eastern Accents  C.O.M. (Vendor Name: \_\_\_\_\_ )  
Border or Ribbon Code: \_\_\_\_\_ Yardage Needed: \_\_\_\_\_ yds

#### Bottom Edge Fabric (Upgrade A):

Fabric Vendor:  Eastern Accents  C.O.M. (Vendor Name: \_\_\_\_\_ )  
Fabric Code: \_\_\_\_\_ Fabric Width: \_\_\_\_\_"  Railroaded  Up the Roll/Solid  
Repeat: V: \_\_\_\_\_" H: \_\_\_\_\_" Yardage Needed: \_\_\_\_\_ yds

3. Face Finish:  C: Add Gimp

#### Face Trimming (Upgrade C):

Gimp Vendor:  Eastern Accents  C.O.M. (Vendor Name: \_\_\_\_\_ )  
Gimp Code: \_\_\_\_\_ Yardage Needed: \_\_\_\_\_ yds

Other Upgrades:  D: Add Lining  E: Add Velcro

Lining Fabric:  White  Putty

Velcro Placement Options:  Bed Skirt Attaches to Box Spring  Bed Skirt Attaches to Inside of Bed Frame

### Special Instructions:

---



---



---

To place your order, please sign below and email/fax this worksheet to: Custom@EasternAccents.com/800.998.3278.

Company Name: \_\_\_\_\_ Account #: \_\_\_\_\_

Phone: \_\_\_\_\_ Fax: \_\_\_\_\_ Email: \_\_\_\_\_

Signature: \_\_\_\_\_ Date: \_\_\_\_\_

Custom items cannot be exchanged and are non-returnable and non-refundable.

Do not send C.O.M. fabrics or trimmings prior to receiving your order confirmation number.

# Bed Skirt Yardage Chart - Box Pleat

## 1a. Face Fabric (Up the Roll or Solid Fabric, no repeats) 54" - 58" Fabric Width

	Daybed	Twin	Full	Queen	King	Cal King	Large Repeats
16" or Less Drop	6.5 yds	8.75 yds	9.75 yds	10.5 yds	11.25 yds	11.25 yds	Add 2.25 yds
17"-20" Drop	7.5 yds	10 yds	11 yds	11.75 yds	12.75 yds	12.75 yds	Add 2.75 yds
21"-25" Drop	8.5 yds	11.5 yds	12.75 yds	13.75 yds	14.75 yds	14.75 yds	Add 3 yds
26"-30" Drop	9.5 yds	13 yds	14.5 yds	15.5 yds	16.5 yds	16.5 yds	Add 3.5 yds

## 1b. Face Fabric (Railroaded Fabric) 54" - 58" Fabric Width

	Daybed	Twin	Full	Queen	King	Cal King	Large Repeats
16" or Less Drop	6.5 yds	6.5 yds	7 yds	7.5 yds	7.5 yds	7.5 yds	Add 1.5 yd
17"-20" Drop	7.5 yds	10 yds	11.75 yds	12.25 yds	13.75 yds	13.75 yds	Add 2.75 yds
21"-25" Drop	7.5 yds	10 yds	11.75 yds	12.25 yds	13.75 yds	13.75 yds	Add 2.75 yds
26"-30" Drop	13.5 yds	16.5 yds	18.5 yds	19.25 yds	20.75 yds	20.75 yds	Add 4.25 yds

## Yardage Requirements for Upgrades

### 2. Bottom Edge Finish 54" - 58" Fabric Width for Banding

	Daybed	Twin	Full	Queen	King	Cal King	Large Repeats
Add 3.5" Banding (UR or Solid)	2.25 yds	2.5 yds	3.5 yds	3.5 yds	3.5 yds	3.5 yds	Add .5 yd
Add 3.5" Banding (RR)	1.75 yds	1.75 yds	1.75 yds	1.75 yds	1.75 yds	1.75 yds	Add .5 yd
Add Border or Ribbon	12.75 yds	15.75 yds	17.75 yds	18.5 yds	20 yds	20 yds	

### 3. Face Finish

	Daybed	Twin	Full	Queen	King	Cal King
Add Gimp	12.75 yds	15.75 yds	17.75 yds	18.5 yds	20 yds	20 yds

## Calculate Your Custom Product Cost

Base and Upgrade Charges
Base Charge: \$130
Bottom Edge Finish Upgrade Charges: \$ _____
Face Finish Upgrade Charge: \$ _____
Other Upgrade Charges: \$ _____

+

Material Costs
Face Fabric Cost: \$ _____
Bottom Edge Finish Cost: \$ _____
Face Finish Cost: \$ _____

= Total Cost  
\$ \_\_\_\_\_

# Euro Sham (27"x27") - Solid

Base Charge: **\$35** (insert included)

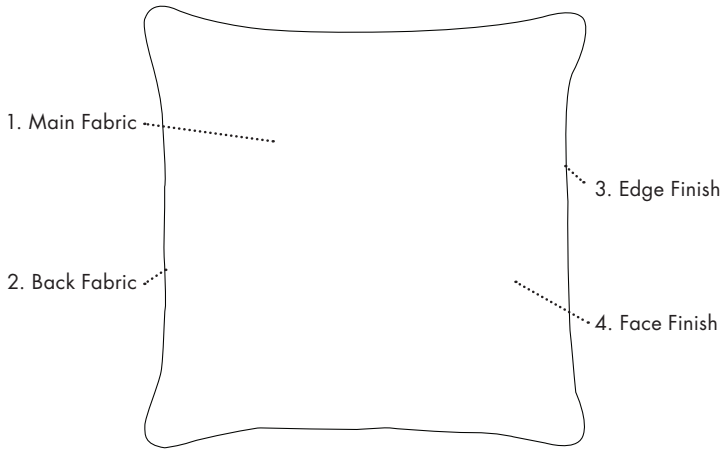
## Upgrade Options

### Edge Finish

A. Add Trimming (p.74)	\$5
B. Add Small Welt (p.74)	\$5
C. Add Medium Welt (p.74)	\$5
D. Add Medium Ruched Welt (p.74)	\$20
E. Add Large Ruched Welt (p.74)	\$20
F. Add 3" Ruffle (p.74)	\$20
G. Add 3" Double Ruffle (p.74)	\$25
H. Add 1.5" Self Flange (p.74)	\$10
I. Add 3" Self Flange (p.74)	\$10
J. Add 1.5" Mitered Flange (p.74)	\$20
K. Add 3" Mitered Flange (p.74)	\$20
L. Add 3" Mitered Double Flange (p.74)	\$25
M. Add Tassels to Corners (p.75)	\$5
N. Add Small Welt to Flange (p.75)	\$5
O. Add Small Cord to Flange (p.75)	\$5

### Face Finish

S. Add Geometric Trimming (p.76)	\$25
T. Add Frame Trimming (p.76)	\$10
U. Add Tufting with 1 Button (p.76)	\$15
V. Add Tufting with 4 Buttons (p.76)	\$15
W. Add Tufting with 5 Buttons (p.76)	\$15



Choose Quantity: \_\_\_\_\_

Choose Insert (included):  Cloud (Microfiber) Standard  Bliss (50% White Duck Feathers/50% Microfiber) No extra charge  Plume (100% White Duck Feathers) No extra charge

### Choose Fabric:

1. Main Fabric: Fabric Vendor:  Eastern Accents  C.O.M. (Vendor Name: \_\_\_\_\_ )  
 Fabric Code: \_\_\_\_\_ Fabric Width: \_\_\_\_\_"  Railroaded:  Vertical  Horizontal  Up the Roll/Solid  
 Repeat: V: \_\_\_\_\_" H: \_\_\_\_\_" Yardage Needed: \_\_\_\_\_ yds
2. Back Fabric: Fabric Vendor:  Eastern Accents  C.O.M. (Vendor Name: \_\_\_\_\_ )  
 Fabric Code: \_\_\_\_\_ Fabric Width: \_\_\_\_\_"  Railroaded:  Vertical  Horizontal  Up the Roll/Solid  
 Repeat: V: \_\_\_\_\_" H: \_\_\_\_\_" Yardage Needed: \_\_\_\_\_ yds

### Add Upgrades (optional):

3. Edge Finish:  A: Add Trimming  B: Add Small Welt  C: Add Medium Welt  D: Add Medium Ruched Welt  
 E: Add Large Ruched Welt  F: Add 3" Ruffle  G: Add 3" Double Ruffle  H: Add 1.5" Self Flange  
 I: Add 3" Self Flange  J: Add 1.5" Mitered Flange  K: Add 3" Mitered Flange  L: Add 3" Mitered Double Flange  
 M: Add Tassels to Corners  N: Add Small Welt to Flange  O: Add Small Cord to Flange

#### Edge Trimming (Upgrade A, M, and O):

Trimming Vendor:  Eastern Accents  C.O.M. (Vendor Name: \_\_\_\_\_ )  
 Trimming Code: \_\_\_\_\_ Yardage Needed: \_\_\_\_\_ yds

#### Edge Fabric A (Upgrade B, C, D, E, F, G, H, I, J, K, and L):

Fabric Vendor:  Eastern Accents  C.O.M. (Vendor Name: \_\_\_\_\_ )  
 Fabric Code: \_\_\_\_\_ Fabric Width: \_\_\_\_\_"  Railroaded  Up the Roll/Solid  
 Repeat: V: \_\_\_\_\_" H: \_\_\_\_\_" Yardage Needed: \_\_\_\_\_ yds

#### Edge Fabric B (Upgrade G, L, and N):

Fabric Vendor:  Eastern Accents  C.O.M. (Vendor Name: \_\_\_\_\_ )  
 Fabric Code: \_\_\_\_\_ Fabric Width: \_\_\_\_\_"  Railroaded  Up the Roll/Solid  
 Repeat: V: \_\_\_\_\_" H: \_\_\_\_\_" Yardage Needed: \_\_\_\_\_ yds

4. Face Finish:  S: Add Geometric Trimming  T: Add Frame Trimming  U: Add Tufting with 1 Button  
 V: Add Tufting with 4 Buttons  W: Add Tufting with 5 Buttons

#### Face Trimming (Upgrade S, and T):

Trimming Vendor:  Eastern Accents  C.O.M. (Vendor Name: \_\_\_\_\_ )  
 Trimming Code: \_\_\_\_\_ Yardage Needed: \_\_\_\_\_ yds

#### Button Fabric (Upgrade U, V, and W):

Fabric Vendor:  Eastern Accents  C.O.M. (Vendor Name: \_\_\_\_\_ )  
 Fabric Code: \_\_\_\_\_ Fabric Width: \_\_\_\_\_"  Railroaded  Up the Roll/Solid  
 Repeat: V: \_\_\_\_\_" H: \_\_\_\_\_" Yardage Needed: \_\_\_\_\_ yds

### Special Instructions:

\_\_\_\_\_

To place your order, please sign below and email/fax this worksheet to: Custom@EasternAccents.com/800.998.3278.

Company Name: \_\_\_\_\_ Account #: \_\_\_\_\_

Phone: \_\_\_\_\_ Fax: \_\_\_\_\_ Email: \_\_\_\_\_

Signature: \_\_\_\_\_ Date: \_\_\_\_\_

Custom items cannot be exchanged and are non-returnable and non-refundable.

Do not send C.O.M. fabrics or trimmings prior to receiving your order confirmation number.



# Euro Sham Yardage Chart - Solid

## 1. Main Fabric (Up the Roll, Solid, or Railroaded Fabric) 54" - 58" Fabric Width

	Euro Sham
Solid	1 yd
Medium Repeat (up to 18")	1.25 yds
Large Repeat (over 18")	1.5 yds

## 2. Back Fabric (Up the Roll, Solid, or Railroaded Fabric) 54" - 58" Fabric Width

	Euro Sham
Solid	1 yd
Medium Repeat (up to 18")	1.25 yds
Large Repeat (over 18")	1.5 yds

## Yardage Requirement for Upgrades

### 3. Edge Finish 54" - 58" Fabric Width for Welt, Ruffle, and Flange Upgrades

	Up the Roll or Solid Fabric	Railroaded Fabric
Add Trimming	3.25 yds	3.25 yds
Add Small/Medium Welt	1 yd	1 yd
Add Medium Ruched Welt	.75 yd	1.5 yds
Add Large Ruched Welt	1 yd	1.5 yds
Add 3" Ruffle	1 yd	1.5 yds
Add 3" Double Ruffle	.75 yd (1.5" ruffle) / 1 yd (3" ruffle)	1.5 yds (1.5" ruffle) / 1.5 yd (3" ruffle)
Add 1.5" Mitered/Self Flange	.75 yd	1 yd
Add 3" Mitered/Self Flange	1 yd	1 yd
Add 3" Mitered Double Flange	.75 yd (1.5" flange) / 1 yd (3" flange)	1 yd (1.5" flange) / 1 yd (3" flange)
Add Tassels to Corners	4 Tassels	4 Tassels
Add Small Welt to Flange	1 yd	1 yd
Add Small Cord to Flange	4 yds	4 yds

### 4. Face Finish 54" - 58" Fabric Width for Tufting Upgrades

	Euro Sham
Add Geometric Trimming	4.5 yds
Add Frame Trimming	2.25 yds
Add Tufting with 1 Button	.25 yd
Add Tufting with 4 Buttons	.5 yd
Add Tufting with 5 Buttons	.5 yd

## Calculate Your Custom Product Cost

Base and Upgrade Charges
Base Charge: \$35
Edge Finish Upgrade Charges: \$ _____
Face Finish Upgrade Charges: \$ _____

+

Material Costs
Main Fabric Cost: \$ _____
Back Fabric Cost: \$ _____
Edge Finish Cost: \$ _____
Face Finish Cost: \$ _____

= Total Cost  
\$ \_\_\_\_\_

# Euro Sham (27"x27") - Mitered

Base Charge: \$50 (insert included)

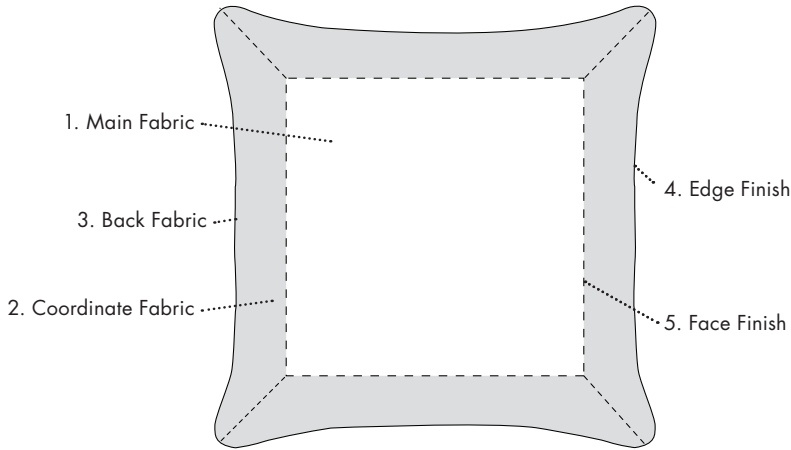
## Upgrade Options

### Edge Finish

A. Add Trimming (p.74)	\$5
B. Add Small Welt (p.74)	\$5
C. Add Medium Welt (p.74)	\$5
D. Add Medium Ruched Welt (p.74)	\$20
E. Add Large Ruched Welt (p.74)	\$20
F. Add 3" Ruffle (p.74)	\$20
G. Add 3" Double Ruffle (p.74)	\$25
J. Add 1.5" Mitered Flange (p.74)	\$20
K. Add 3" Mitered Flange (p.74)	\$20
L. Add 3" Mitered Double Flange (p.74)	\$25
M. Add Tassels to Corners (p.75)	\$5
N. Add Small Welt to Flange (p.75)	\$5
O. Add Small Cord to Flange (p.75)	\$5

### Face Finish

P. Add Trimming (p.76)	\$5
Q. Add Small Welt (p.76)	\$5
R. Add 2" Cuff (p.76)	\$5
U. Add Tufting with 1 Button (p.76)	\$15



Choose Quantity: \_\_\_\_\_

Choose Insert (included):  Cloud (Microfiber) Standard  Bliss (50% White Duck Feathers/50% Microfiber) No extra charge  Plume (100% White Duck Feathers) No extra charge

### Choose Fabric:

1. Main Fabric: Fabric Vendor:  Eastern Accents  C.O.M. (Vendor Name: \_\_\_\_\_ )  
 Fabric Code: \_\_\_\_\_ Fabric Width: \_\_\_\_\_"  Railroaded:  Vertical  Horizontal  Up the Roll/Solid  
 Repeat: V: \_\_\_\_\_" H: \_\_\_\_\_" Yardage Needed: \_\_\_\_\_ yds
2. Coordinate Fabric: Fabric Vendor:  Eastern Accents  C.O.M. (Vendor Name: \_\_\_\_\_ )  
 Fabric Code: \_\_\_\_\_ Fabric Width: \_\_\_\_\_"  Railroaded:  Vertical  Horizontal  Up the Roll/Solid  
 Repeat: V: \_\_\_\_\_" H: \_\_\_\_\_" Yardage Needed: \_\_\_\_\_ yds
3. Back Fabric: Fabric Vendor:  Eastern Accents  C.O.M. (Vendor Name: \_\_\_\_\_ )  
 Fabric Code: \_\_\_\_\_ Fabric Width: \_\_\_\_\_"  Railroaded:  Vertical  Horizontal  Up the Roll/Solid  
 Repeat: V: \_\_\_\_\_" H: \_\_\_\_\_" Yardage Needed: \_\_\_\_\_ yds

### Add Upgrades (optional):

4. Edge Finish:  A: Add Trimming  B: Add Small Welt  C: Add Medium Welt  D: Add Medium Ruched Welt  
 E: Add Large Ruched Welt  F: Add 3" Ruffle  G: Add 3" Double Ruffle  J: Add 1.5" Mitered Flange  
 K: Add 3" Mitered Flange  L: Add 3" Mitered Double Flange  M: Add Tassels to Corners  N: Add Small Welt to Flange  
 O: Add Small Cord to Flange

#### Edge Trimming (Upgrade A, M, and O):

Trimming Vendor:  Eastern Accents  C.O.M. (Vendor Name: \_\_\_\_\_ )  
 Trimming Code: \_\_\_\_\_ Yardage Needed: \_\_\_\_\_ yds

#### Edge Fabric A (Upgrade B, C, D, E, F, G, J, K, and L):

Fabric Vendor:  Eastern Accents  C.O.M. (Vendor Name: \_\_\_\_\_ )  
 Fabric Code: \_\_\_\_\_ Fabric Width: \_\_\_\_\_"  Railroaded  Up the Roll/Solid  
 Repeat: V: \_\_\_\_\_" H: \_\_\_\_\_" Yardage Needed: \_\_\_\_\_ yds

#### Edge Fabric B (Upgrade G, I, and N):

Fabric Vendor:  Eastern Accents  C.O.M. (Vendor Name: \_\_\_\_\_ )  
 Fabric Code: \_\_\_\_\_ Fabric Width: \_\_\_\_\_"  Railroaded  Up the Roll/Solid  
 Repeat: V: \_\_\_\_\_" H: \_\_\_\_\_" Yardage Needed: \_\_\_\_\_ yds

5. Face Finish:  P: Add Trimming  Q: Add Small Welt  R: Add 2" Cuff  U: Add Tufting with 1 Button

#### Face Trimming (Upgrade P):

Trimming Vendor:  Eastern Accents  C.O.M. (Vendor Name: \_\_\_\_\_ )  
 Trimming Code: \_\_\_\_\_ Yardage Needed: \_\_\_\_\_ yds

#### Button Fabric (Upgrade Q, R, and U):

Fabric Vendor:  Eastern Accents  C.O.M. (Vendor Name: \_\_\_\_\_ )  
 Fabric Code: \_\_\_\_\_ Fabric Width: \_\_\_\_\_"  Railroaded  Up the Roll/Solid  
 Repeat: V: \_\_\_\_\_" H: \_\_\_\_\_" Yardage Needed: \_\_\_\_\_ yds

### Special Instructions:

\_\_\_\_\_

To place your order, please sign below and email/fax this worksheet to: [Custom@EasternAccents.com](mailto:Custom@EasternAccents.com)/800.998.3278.

Company Name: \_\_\_\_\_ Account #: \_\_\_\_\_

Phone: \_\_\_\_\_ Fax: \_\_\_\_\_ Email: \_\_\_\_\_

Signature: \_\_\_\_\_ Date: \_\_\_\_\_

Custom items cannot be exchanged and are non-returnable and non-refundable.

Do not send C.O.M. fabrics or trimmings prior to receiving your order confirmation number.

# Euro Sham Yardage Chart - Mitered

## 1. Main Fabric (Up the Roll, Solid, or Railroaded Fabric) 54" - 58" Fabric Width

	Up the Roll Fabric	Railroaded Fabric
Solid	.75 yd	.75 yd
Medium Repeat (up to 18")	1 yd	1 yd
Large Repeat (over 18")	1.25 yds	1.25 yds

## 2. Coordinate Fabric (Up the Roll, Solid, or Railroaded Fabric) 54" - 58" Fabric Width

	Up the Roll Fabric	Railroaded Fabric
Solid	.75 yd	1 yd
Medium Repeat (up to 18")	1 yd	1.25 yds
Large Repeat (over 18")	1.25 yds	1.5 yds

## 3. Back Fabric (Up the Roll, Solid, or Railroaded Fabric) 54" - 58" Fabric Width

	Up the Roll Fabric	Railroaded Fabric
Solid	.75 yd	.75 yd
Medium Repeat (up to 18")	1 yd	1 yd
Large Repeat (over 18")	1.25 yds	1.25 yds

## Yardage Requirement for Upgrades

### 4. Edge Finish 54" - 58" Fabric Width for Welt, Ruffle, and Flange Upgrades

	Up the Roll or Solid Fabric	Railroaded Fabric
Add Trimming	3.25 yds	3.25 yds
Add Small/Medium Welt	1 yd	1 yd
Add Medium Ruched Welt	.75 yd	1.5 yds
Add Large Ruched Welt	1 yd	1.5 yds
Add 3" Ruffle	1 yd	1.5 yds
Add 3" Double Ruffle	.75 yd (1.5" ruffle) / 1 yd (3" ruffle)	1.5 yds (1.5" ruffle) / 1.5 yd (3" ruffle)
Add 1.5" Mitered	.75 yd	1 yd
Add 3" Mitered	1 yd	1 yd
Add 3" Mitered Double Flange	.75 yd (1.5" flange) / 1 yd (3" flange)	1 yd (1.5" flange) / 1 yd (3" flange)
Add Tassels to Corners	4 Tassels	4 Tassels
Add Small Welt to Flange	1 yd	1 yd
Add Small Cord to Flange	4 yds	4 yds

### 5. Face Finish 54" - 58" Fabric Width for Welt, Cuff and Tufting Upgrades

	Up the Roll or Solid Fabric	Railroaded Fabric
Add Trimming	2.5 yds	2.5 yds
Add Small Welt	1 yd	1 yd
Add 2" Cuff	.5 yd	.75 yd
Add Tufting with 1 Button	.25 yd	.25 yd

## Calculate Your Custom Product Cost

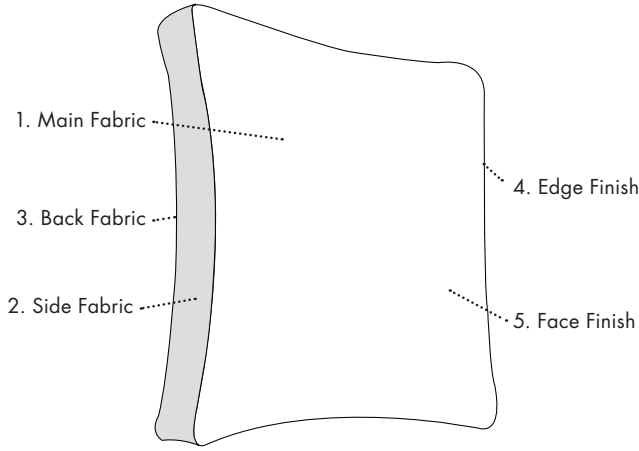
Base and Upgrade Charges
Base Charge: \$50
Edge Finish Upgrade Charges: \$ _____
Face Finish Upgrade Charges: \$ _____

+

Material Costs
Main Fabric Cost: \$ _____
Coordinate Fabric Cost: \$ _____
Back Fabric Cost: \$ _____
Edge Finish Cost: \$ _____
Face Finish Cost: \$ _____

= Total Cost  
\$ \_\_\_\_\_

# Euro Sham (27"x27"x3") - Boxed



**Base Charge: \$55** (insert included)

## Upgrade Options

### Edge Finish

- A. Add Trimming (p.74) \$5
- B. Add Small Welt (p.74) \$5
- C. Add Medium Welt (p.74) \$5
- J. Add 1.5" Mitered Flange (p.74) \$20
- K. Add 3" Mitered Flange (p.74) \$20
- N. Add Small Welt to Flange (p.75) \$5
- O. Add Small Cord to Flange (p.75) \$5

### Face Finish

- U. Add Tufting with 1 Button (p.76) \$15
- V. Add Tufting with 4 Buttons (p.76) \$15
- W. Add Tufting with 5 Buttons (p.76) \$15

Choose Quantity: \_\_\_\_\_

Choose Insert (included):  Cloud (Microfiber) Standard  Bliss (50% White Duck Feathers/50% Microfiber) No extra charge  Plume (100% White Duck Feathers) No extra charge

### Choose Fabric:

1. Main Fabric: Fabric Vendor:  Eastern Accents  C.O.M. (Vendor Name: \_\_\_\_\_ )  
 Fabric Code: \_\_\_\_\_ Fabric Width: \_\_\_\_\_"  Railroaded:  Vertical  Horizontal  Up the Roll/Solid  
 Repeat: V: \_\_\_\_\_" H: \_\_\_\_\_" Yardage Needed: \_\_\_\_\_ yds
2. Side Fabric: Fabric Vendor:  Eastern Accents  C.O.M. (Vendor Name: \_\_\_\_\_ )  
 Fabric Code: \_\_\_\_\_ Fabric Width: \_\_\_\_\_"  Railroaded:  Vertical  Horizontal  Up the Roll/Solid  
 Repeat: V: \_\_\_\_\_" H: \_\_\_\_\_" Yardage Needed: \_\_\_\_\_ yds
3. Back Fabric: Fabric Vendor:  Eastern Accents  C.O.M. (Vendor Name: \_\_\_\_\_ )  
 Fabric Code: \_\_\_\_\_ Fabric Width: \_\_\_\_\_"  Railroaded:  Vertical  Horizontal  Up the Roll/Solid  
 Repeat: V: \_\_\_\_\_" H: \_\_\_\_\_" Yardage Needed: \_\_\_\_\_ yds

### Add Upgrades (optional):

4. Edge Finish:  A: Add Trimming  B: Add Small Welt  C: Add Medium Welt  J: Add 1.5" Mitered Flange  
 K: Add 3" Mitered Flange  N: Add Small Welt to Flange  O: Add Small Cord to Flange

#### Edge Trimming (Upgrade A and O):

Trimming Vendor:  Eastern Accents  C.O.M. (Vendor Name: \_\_\_\_\_ )  
 Trimming Code: \_\_\_\_\_ Yardage Needed: \_\_\_\_\_ yds

#### Edge Fabric A (Upgrade B, C, and K):

Fabric Vendor:  Eastern Accents  C.O.M. (Vendor Name: \_\_\_\_\_ )  
 Fabric Code: \_\_\_\_\_ Fabric Width: \_\_\_\_\_"  Railroaded  Up the Roll/Solid  
 Repeat: V: \_\_\_\_\_" H: \_\_\_\_\_" Yardage Needed: \_\_\_\_\_ yds

#### Edge Fabric B (Upgrade N):

Fabric Vendor:  Eastern Accents  C.O.M. (Vendor Name: \_\_\_\_\_ )  
 Fabric Code: \_\_\_\_\_ Fabric Width: \_\_\_\_\_"  Railroaded  Up the Roll/Solid  
 Repeat: V: \_\_\_\_\_" H: \_\_\_\_\_" Yardage Needed: \_\_\_\_\_ yds

5. Face Finish:  U: Add Tufting with 1 Button  V: Add Tufting with 4 Buttons  W: Add Tufting with 5 Buttons

#### Button Fabric (Upgrade U, V, and W):

Fabric Vendor:  Eastern Accents  C.O.M. (Vendor Name: \_\_\_\_\_ )  
 Fabric Code: \_\_\_\_\_ Fabric Width: \_\_\_\_\_"  Railroaded  Up the Roll/Solid  
 Repeat: V: \_\_\_\_\_" H: \_\_\_\_\_" Yardage Needed: \_\_\_\_\_ yds

### Special Instructions:

\_\_\_\_\_

\_\_\_\_\_

To place your order, please sign below and email/fax this worksheet to: [Custom@EasternAccents.com](mailto:Custom@EasternAccents.com)/800.998.3278.

Company Name: \_\_\_\_\_ Account #: \_\_\_\_\_

Phone: \_\_\_\_\_ Fax: \_\_\_\_\_ Email: \_\_\_\_\_

Signature: \_\_\_\_\_ Date: \_\_\_\_\_

Custom items cannot be exchanged and are non-returnable and non-refundable.

Do not send C.O.M. fabrics or trimmings prior to receiving your order confirmation number.

# Euro Sham Yardage Chart - Boxed

## 1. Main Fabric (Up the Roll, Solid, or Railroaded Fabric) 54" - 58" Fabric Width

	Up the Roll Fabric	Railroaded Fabric
Solid	1 yd	1 yd
Medium Repeat (up to 18")	1.25 yds	1.25 yds
Large Repeat (over 18")	1.5 yds	1.5 yds

## 2. Side Fabric (Up the Roll, Solid, or Railroaded Fabric) 54" - 58" Fabric Width

	Up the Roll Fabric	Railroaded Fabric
Solid	.75 yd	1 yd
Medium Repeat (up to 18")	1 yd	1.25 yds
Large Repeat (over 18")	1.25 yds	1.5 yds

## 3. Back Fabric (Up the Roll, Solid, or Railroaded Fabric) 54" - 58" Fabric Width

	Up the Roll Fabric	Railroaded Fabric
Solid	1 yd	1 yd
Medium Repeat (up to 18")	1.25 yds	1.25 yds
Large Repeat (over 18")	1.5 yds	1.5 yds

## Yardage Requirement for Upgrades

### 4. Edge Finish 54" - 58" Fabric Width for Welt and Flange Upgrades

	Up the Roll or Solid Fabric	Railroaded Fabric
Add Trimming	6.25 yds	6.25 yds
Add Small/Medium Welt	1 yd	1 yd
Add 1.5" Mitered Flange	1.25 yds	1 yds
Add 3" Mitered Flange	1.75 yds	2 yds
Add Small Welt to Flange	1 yd	1 yd
Add Small Cord to Flange	4 yds	4 yds

### 5. Face Finish 54" - 58" Fabric Width for Tufting Upgrades

	Up the Roll or Solid Fabric	Railroaded Fabric
Add Tufting with 1 Button	.25 yd	.25 yds
Add Tufting with 4 Buttons	.5 yd	.5 yd
Add Tufting with 5 Buttons	.5 yd	.5 yd

## Calculate Your Custom Product Cost

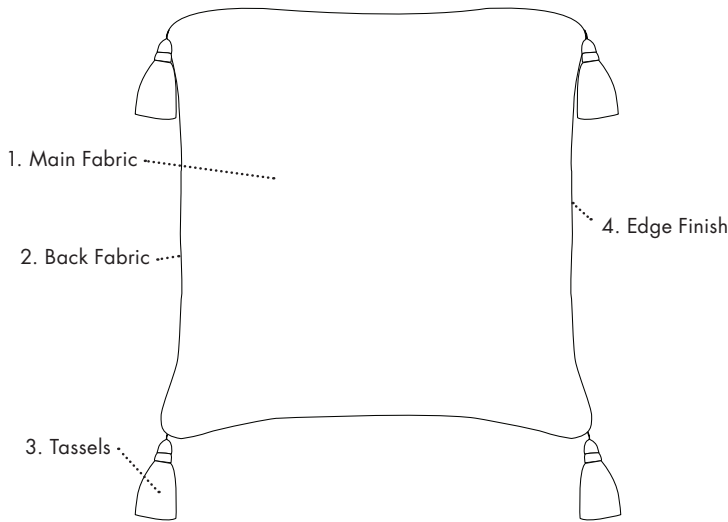
Base and Upgrade Charges
Base Charge: \$55
Edge Finish Upgrade Charges: \$ _____
Face Finish Upgrade Charges: \$ _____

+

Material Costs
Main Fabric Cost: \$ _____
Side Fabric Cost: \$ _____
Back Fabric Cost: \$ _____
Edge Finish Cost: \$ _____
Face Finish Cost: \$ _____

= Total Cost  
\$ \_\_\_\_\_

# Euro Sham (27"x27") - Turkish Corners with Tassels



**Base Charge: \$40** (insert included)

## Upgrade Options

### Edge Finish

- A. Add Cord (p.74) \$5
- B. Add Small Welt (p.74) \$5
- C. Add Medium Welt (p.74) \$5

Choose Quantity: \_\_\_\_\_

Choose Insert (included):  Cloud (Microfiber) Standard  Bliss (50% White Duck Feathers/50% Microfiber) No extra charge  Plume (100% White Duck Feathers) No extra charge

Choose Fabric:

1. Main Fabric: Fabric Vendor:  Eastern Accents  C.O.M. (Vendor Name: \_\_\_\_\_ )  
 Fabric Code: \_\_\_\_\_ Fabric Width: \_\_\_\_\_"  Railroaded:  Vertical  Horizontal  Up the Roll/Solid  
 Repeat: V: \_\_\_\_\_" H: \_\_\_\_\_" Yardage Needed: \_\_\_\_\_ yds
2. Back Fabric: Fabric Vendor:  Eastern Accents  C.O.M. (Vendor Name: \_\_\_\_\_ )  
 Fabric Code: \_\_\_\_\_ Fabric Width: \_\_\_\_\_"  Railroaded:  Vertical  Horizontal  Up the Roll/Solid  
 Repeat: V: \_\_\_\_\_" H: \_\_\_\_\_" Yardage Needed: \_\_\_\_\_ yds
3. Tassels (included): Trimming Vendor:  Eastern Accents  C.O.M. (Vendor Name: \_\_\_\_\_ )  
 Trimming Code: \_\_\_\_\_ Yardage Needed: \_\_\_\_\_ yds

Add Upgrades (optional):

4. Edge Finish:  A: Add Trimming  B: Add Small Welt  C: Add Medium Welt

Edge Trimming (Upgrade A):

Cord Vendor:  Eastern Accents  C.O.M. (Vendor Name: \_\_\_\_\_ )  
 Cord Code: \_\_\_\_\_ Yardage Needed: \_\_\_\_\_ yds

Edge Fabric A (Upgrade B and C):

Fabric Vendor:  Eastern Accents  C.O.M. (Vendor Name: \_\_\_\_\_ )  
 Fabric Code: \_\_\_\_\_ Fabric Width: \_\_\_\_\_"  Railroaded  Up the Roll/Solid  
 Repeat: V: \_\_\_\_\_" H: \_\_\_\_\_" Yardage Needed: \_\_\_\_\_ yds

Special Instructions:

---



---



---

To place your order, please sign below and email/fax this worksheet to: [Custom@EasternAccents.com](mailto:Custom@EasternAccents.com)/800.998.3278.

Company Name: \_\_\_\_\_ Account #: \_\_\_\_\_

Phone: \_\_\_\_\_ Fax: \_\_\_\_\_ Email: \_\_\_\_\_

Signature: \_\_\_\_\_ Date: \_\_\_\_\_

Custom items cannot be exchanged and are non-returnable and non-refundable.

# Euro Sham Yardage Chart - Turkish Corners with Tassels

## 1. Main Fabric (Up the Roll, Solid, or Railroaded Fabric) 54" - 58" Fabric Width

	Euro Sham
Solid	1 yd
Medium Repeat (up to 18")	1.25 yds
Large Repeat (over 18")	1.5 yds

## 2. Back Fabric (Up the Roll, Solid, or Railroaded Fabric) 54" - 58" Fabric Width

	Euro Sham
Solid	1 yd
Medium Repeat (up to 18")	1.25 yds
Large Repeat (over 18")	1.5 yds

## Yardage Requirement for Upgrades

### 4. Edge Finish 54" - 58" Fabric Width for Welt Upgrades

	Up the Roll or Solid Fabric	Railroaded Fabric
Add Trimming	3.25 yds	3.25 yds
Add Small/Medium Welt	1 yd	1 yd

## Calculate Your Custom Product Cost

Base and Upgrade Charges
Base Charge: \$40
Edge Finish Upgrade Charges: \$ _____

+

Material Costs
Main Fabric Cost: \$ _____
Back Fabric Cost: \$ _____
Edge Finish Cost: \$ _____

= Total Cost  
\$ \_\_\_\_\_

# Standard/King Sham - Solid

Base Charge: **\$35** (insert included)

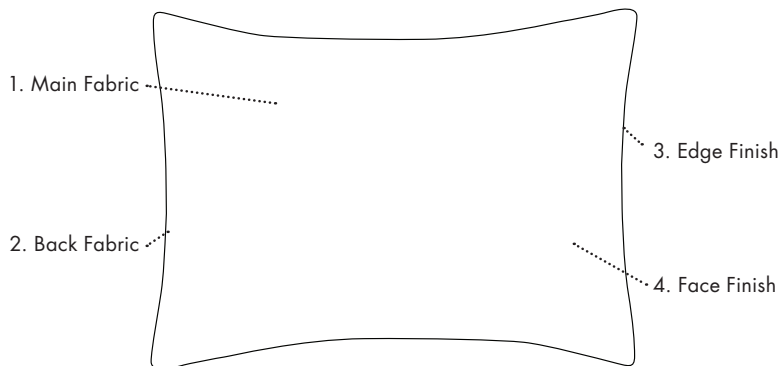
## Upgrade Options

### Edge Finish

A. Add Trimming (p.74)	\$5
B. Add Small Welt (p.74)	\$5
C. Add Medium Welt (p.74)	\$5
D. Add Medium Ruched Welt (p.74)	\$20
E. Add Large Ruched Welt (p.74)	\$20
F. Add 3" Ruffle (p.74)	\$20
G. Add 3" Double Ruffle (p.74)	\$25
H. Add 1.5" Self Flange (p.74)	\$10
I. Add 3" Self Flange (p.74)	\$10
J. Add 1.5" Mitered Flange (p.74)	\$20
K. Add 3" Mitered Flange (p.74)	\$20
L. Add 3" Mitered Double Flange (p.74)	\$25
M. Add Tassels to Corners (p.75)	\$5
N. Add Small Welt to Flange (p.75)	\$5
O. Add Small Cord to Flange (p.75)	\$5

### Face Finish

S. Add Geometric Trimming (p.76)	\$25
T. Add Frame Trimming (p.76)	\$10



Choose Product:  Standard Sham (20"x27")  King Sham (21"x37")

Choose Quantity: \_\_\_\_\_

Choose Insert (included):  Cloud (Microfiber) Standard  Bliss (50% White Duck Feathers/50% Microfiber) No extra charge  Plume (100% White Duck Feathers) No extra charge

### Choose Fabric:

1. Main Fabric: Fabric Vendor:  Eastern Accents  C.O.M. (Vendor Name: \_\_\_\_\_)  
 Fabric Code: \_\_\_\_\_ Fabric Width: \_\_\_\_\_"  Railroaded  Vertical (1b)  Horizontal (1a)  Up the Roll/Solid  
 Repeat: V: \_\_\_\_\_" H: \_\_\_\_\_" Yardage Needed: \_\_\_\_\_ yds

2. Back Fabric: Fabric Vendor:  Eastern Accents  C.O.M. (Vendor Name: \_\_\_\_\_)  
 Fabric Code: \_\_\_\_\_ Fabric Width: \_\_\_\_\_"  Railroaded  Vertical (2b)  Horizontal (2a)  Up the Roll/Solid  
 Repeat: V: \_\_\_\_\_" H: \_\_\_\_\_" Yardage Needed: \_\_\_\_\_ yds

### Add Upgrades (optional):

3. Edge Finish:  A: Add Trimming  B: Add Small Welt  C: Add Medium Welt  D: Add Medium Ruched Welt  
 E: Add Large Ruched Welt  F: Add 3" Ruffle  G: Add 3" Double Ruffle  H: Add 1.5" Self Flange  
 I: Add 3" Self Flange  J: Add 1.5" Mitered Flange  K: Add 3" Mitered Flange  L: Add 3" Mitered Double Flange  
 M: Add Tassels to Corners  N: Add Small Welt to Flange  O: Add Small Cord to Flange

#### Edge Trimming (Upgrade A, M, and O):

Trimming Vendor:  Eastern Accents  C.O.M. (Vendor Name: \_\_\_\_\_)  
 Trimming Code: \_\_\_\_\_ Yardage Needed: \_\_\_\_\_ yds

#### Edge Fabric A (Upgrade B, C, D, E, F, G, H, I, J, K, and L):

Fabric Vendor:  Eastern Accents  C.O.M. (Vendor Name: \_\_\_\_\_)  
 Fabric Code: \_\_\_\_\_ Fabric Width: \_\_\_\_\_"  Railroaded  Up the Roll/Solid  
 Repeat: V: \_\_\_\_\_" H: \_\_\_\_\_" Yardage Needed: \_\_\_\_\_ yds

#### Edge Fabric B (Upgrade G, L, and N):

Fabric Vendor:  Eastern Accents  C.O.M. (Vendor Name: \_\_\_\_\_)  
 Fabric Code: \_\_\_\_\_ Fabric Width: \_\_\_\_\_"  Railroaded  Up the Roll/Solid  
 Repeat: V: \_\_\_\_\_" H: \_\_\_\_\_" Yardage Needed: \_\_\_\_\_ yds

4. Face Finish:  S: Add Geometric Trimming  T: Add Frame Trimming

#### Face Trimming (Upgrade S, and T):

Trimming Vendor:  Eastern Accents  C.O.M. (Vendor Name: \_\_\_\_\_)  
 Trimming Code: \_\_\_\_\_ Yardage Needed: \_\_\_\_\_ yds

### Special Instructions:

\_\_\_\_\_

\_\_\_\_\_

To place your order, please sign below and email/fax this worksheet to: [Custom@EasternAccents.com](mailto:Custom@EasternAccents.com)/800.998.3278.

Company Name: \_\_\_\_\_ Account #: \_\_\_\_\_

Phone: \_\_\_\_\_ Fax: \_\_\_\_\_ Email: \_\_\_\_\_

Signature: \_\_\_\_\_ Date: \_\_\_\_\_

Custom items cannot be exchanged and are non-returnable and non-refundable.

Do not send C.O.M. fabrics or trimmings prior to receiving your order confirmation number.



# Standard/King Sham Yardage Chart - Solid

## 1a. Main Fabric (Up the Roll or Solid Fabric) 54" - 58" Fabric Width

	Standard Sham	King Sham
Solid	.75 yd	.75 yd
Medium Repeat (up to 18")	1 yd	1 yd
Large Repeat (over 18")	1.25 yds	1.25 yds

## 1b. Main Fabric (Railroaded Fabric) 54" - 58" Fabric Width

	Standard Sham	King Sham
Solid	1 yd	1.25 yds
Medium Repeat (up to 18")	1.25 yds	1.5 yds
Large Repeat (over 18")	1.5 yds	1.75 yds

## 2a. Back Fabric (Up the Roll or Solid Fabric) 54" - 58" Fabric Width

	Standard Sham	King Sham
Solid	.75 yd	.75 yd
Medium Repeat (up to 18")	1 yd	1 yd
Large Repeat (over 18")	1.25 yds	1.25 yds

## 2b. Back Fabric (Railroaded Fabric) 54" - 58" Fabric Width

	Standard Sham	King Sham
Solid	1 yd	1.25 yds
Medium Repeat (up to 18")	1.25 yds	1.5 yds
Large Repeat (over 18")	1.5 yds	1.75 yds

## Yardage Requirement for Upgrades

### 3. Edge Finish 54" - 58" Fabric Width for Welt, Ruffle, and Flange Upgrades

	Standard Sham (UR or Solid)	Standard Sham (RR)	King Sham (UR or Solid)	King Sham (RR)
Add Trimming	2.75 yds	2.75 yds	3.5 yds	3.5 yds
Add Small/Medium Welt	1 yd	1 yd	1 yd	1 yd
Add Medium Ruched Welt	.75 yd	1.5 yds	.75 yd	1.5 yds
Add Large Ruched Welt	1 yd	1.5 yds	1 yd	1.5 yds
Add 3" Ruffle	1 yd	1.5 yds	1 yd	1.5 yds
Add 3" Double Ruffle	.75 yd (1.5" ruffle) / 1 yd (3" ruffle)	1.5 yds (1.5" ruffle) / 1.5 yds (3" ruffle)	.75 yd (1.5" ruffle) / 1 yd (3" ruffle)	1.5 yds (1.5" ruffle) / 1.5 yds (3" ruffle)
Add 1.5" Mitered/Self Flange	.5 yd	1 yd	.5 yd	1.25 yds
Add 3" Mitered/Self Flange	.75 yd	1 yd	1 yd	1.5 yds
Add 3" Mitered Double Flange	.5 yd (1.5" flange) / .75 yd (3" flange)	1 yd (1.5" flange) / 1 yd (3" flange)	.5 yd (1.5" flange) / 1 yd (3" flange)	1.25 yds (1.5" flange) / 1.5 yds (3" flange)
Add Tassels to Corners	4 Tassels	4 Tassels	4 Tassels	4 Tassels
Add Small Welt to Flange	1 yd	1 yd	1 yd	1 yd
Add Small Cord to Flange	3.75 yds	3.75 yds	4.25 yds	4.25 yds

### 4. Face Finish

	Standard Sham	King Sham
Add Geometric Trimming	4 yds	4.75 yds
Add Frame Trimming	2 yds	2.5 yds

## Calculate Your Custom Product Cost

<table style="width: 100%; border-collapse: collapse;"> <tr> <th style="background-color: #cccccc;">Base and Upgrade Charges</th> </tr> <tr> <td>Base Charge: \$35</td> </tr> <tr> <td>Edge Finish Upgrade Charges: \$ _____</td> </tr> <tr> <td>Face Finish Upgrade Charges: \$ _____</td> </tr> </table>	Base and Upgrade Charges	Base Charge: \$35	Edge Finish Upgrade Charges: \$ _____	Face Finish Upgrade Charges: \$ _____	+	<table style="width: 100%; border-collapse: collapse;"> <tr> <th style="background-color: #cccccc;">Material Costs</th> </tr> <tr> <td>Main Fabric Cost: \$ _____</td> </tr> <tr> <td>Back Fabric Cost: \$ _____</td> </tr> <tr> <td>Edge Finish Cost: \$ _____</td> </tr> <tr> <td>Face Finish Cost: \$ _____</td> </tr> </table>	Material Costs	Main Fabric Cost: \$ _____	Back Fabric Cost: \$ _____	Edge Finish Cost: \$ _____	Face Finish Cost: \$ _____	=	<b>Total Cost</b> \$ _____
Base and Upgrade Charges													
Base Charge: \$35													
Edge Finish Upgrade Charges: \$ _____													
Face Finish Upgrade Charges: \$ _____													
Material Costs													
Main Fabric Cost: \$ _____													
Back Fabric Cost: \$ _____													
Edge Finish Cost: \$ _____													
Face Finish Cost: \$ _____													

# Standard/King Sham - Mitered

Base Charge: \$50 (insert included)

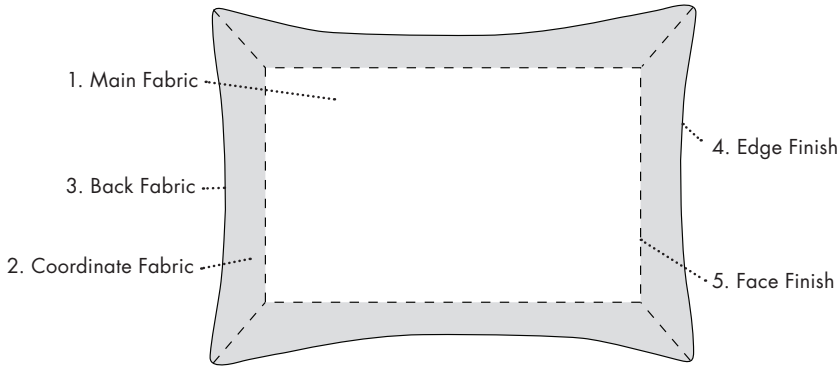
## Upgrade Options

### Edge Finish

A. Add Trimming (p.74)	\$5
B. Add Small Welt (p.74)	\$5
C. Add Medium Welt (p.74)	\$5
D. Add Medium Ruched Welt (p.74)	\$20
E. Add Large Ruched Welt (p.74)	\$20
F. Add 3" Ruffle (p.74)	\$20
G. Add 3" Double Ruffle (p.74)	\$25
J. Add 1.5" Mitered Flange (p.74)	\$20
K. Add 3" Mitered Flange (p.74)	\$20
L. Add 3" Mitered Double Flange (p.74)	\$25
M. Add Tassels to Corners (p.75)	\$5
N. Add Small Welt to Flange (p.75)	\$5
O. Add Small Cord to Flange (p.75)	\$5

### Face Finish

P. Add Trimming (p.76)	\$5
Q. Add Small Welt (p.76)	\$5
R. Add 2" Cuff (p.76)	\$5



Choose Product:  Standard Sham (20"x27")  King Sham (21"x37")  
 Choose Quantity: \_\_\_\_\_  
 Choose Insert (included):  Cloud (Microfiber) Standard  Bliss (50% White Duck Feathers/50% Microfiber) No extra charge  Plume (100% White Duck Feathers) No extra charge

### Choose Fabric:

1. Main Fabric: Fabric Vendor:  Eastern Accents  C.O.M. (Vendor Name: \_\_\_\_\_)  
 Fabric Code: \_\_\_\_\_ Fabric Width: \_\_\_\_\_"  Railroaded  Vertical (1b)  Horizontal (1a)  Up the Roll/Solid  
 Repeat: V: \_\_\_\_\_" H: \_\_\_\_\_" Yardage Needed: \_\_\_\_\_ yds

2. Coordinate Fabric: Fabric Vendor:  Eastern Accents  C.O.M. (Vendor Name: \_\_\_\_\_)  
 Fabric Code: \_\_\_\_\_ Fabric Width: \_\_\_\_\_"  Railroaded  Vertical  Horizontal  Up the Roll/Solid  
 Repeat: V: \_\_\_\_\_" H: \_\_\_\_\_" Yardage Needed: \_\_\_\_\_ yds

3. Back Fabric: Fabric Vendor:  Eastern Accents  C.O.M. (Vendor Name: \_\_\_\_\_)  
 Fabric Code: \_\_\_\_\_ Fabric Width: \_\_\_\_\_"  Railroaded  Vertical (3b)  Horizontal (3a)  Up the Roll/Solid  
 Repeat: V: \_\_\_\_\_" H: \_\_\_\_\_" Yardage Needed: \_\_\_\_\_ yds

### Add Upgrades (optional):

4. Edge Finish:  A: Add Trimming  B: Add Small Welt  C: Add Medium Welt  D: Add Medium Ruched Welt  
 E: Add Large Ruched Welt  F: Add 3" Ruffle  G: Add 3" Double Ruffle  J: Add 1.5" Mitered Flange  
 K: Add 3" Mitered Flange  L: Add 3" Mitered Double Flange  M: Add Tassels to Corners  N: Add Small Welt to Flange  
 O: Add Small Cord to Flange

#### Edge Trimming (Upgrade A, M, and O):

Trimming Vendor:  Eastern Accents  C.O.M. (Vendor Name: \_\_\_\_\_)  
 Trimming Code: \_\_\_\_\_ Yardage Needed: \_\_\_\_\_ yds

#### Edge Fabric A (Upgrade B, C, D, E, F, G, J, K, and L):

Fabric Vendor:  Eastern Accents  C.O.M. (Vendor Name: \_\_\_\_\_)  
 Fabric Code: \_\_\_\_\_ Fabric Width: \_\_\_\_\_"  Railroaded  Up the Roll/Solid  
 Repeat: V: \_\_\_\_\_" H: \_\_\_\_\_" Yardage Needed: \_\_\_\_\_ yds

#### Edge Fabric B (Upgrade G, L, and N):

Fabric Vendor:  Eastern Accents  C.O.M. (Vendor Name: \_\_\_\_\_)  
 Fabric Code: \_\_\_\_\_ Fabric Width: \_\_\_\_\_"  Railroaded  Up the Roll/Solid  
 Repeat: V: \_\_\_\_\_" H: \_\_\_\_\_" Yardage Needed: \_\_\_\_\_ yds

5. Face Finish:  P: Add Trimming  Q: Add Small Welt  R: Add 2" Cuff

#### Face Trimming (Upgrade P):

Trimming Vendor:  Eastern Accents  C.O.M. (Vendor Name: \_\_\_\_\_)  
 Trimming Code: \_\_\_\_\_ Yardage Needed: \_\_\_\_\_ yds

#### Face Fabric (Upgrade Q and R):

Fabric Vendor:  Eastern Accents  C.O.M. (Vendor Name: \_\_\_\_\_)  
 Fabric Code: \_\_\_\_\_ Fabric Width: \_\_\_\_\_"  Railroaded  Up the Roll/Solid  
 Repeat: V: \_\_\_\_\_" H: \_\_\_\_\_" Yardage Needed: \_\_\_\_\_ yds

### Special Instructions:

To place your order, please sign below and email/fax this worksheet to: Custom@EasternAccents.com/800.998.3278.

Company Name: \_\_\_\_\_ Account #: \_\_\_\_\_

Phone: \_\_\_\_\_ Fax: \_\_\_\_\_ Email: \_\_\_\_\_

Signature: \_\_\_\_\_ Date: \_\_\_\_\_

Custom items cannot be exchanged and are non-returnable and non-refundable.

Do not send C.O.M. fabrics or trimmings prior to receiving your order confirmation number.

# Standard/King Sham Yardage Chart - Mitered

## 1a. Main Fabric (Up the Roll or Solid Fabric) 54" - 58" Fabric Width

	Standard Sham	King Sham
Solid	.5 yd	.5 yd
Medium Repeat (up to 18")	.75 yd	.75 yd
Large Repeat (over 18")	1 yd	1 yd

## 1b. Main Fabric (Railroaded Fabric) 54" - 58" Fabric Width

	Standard Sham	King Sham
Solid	.75 yd	1 yd
Medium Repeat (up to 18")	1 yd	1.25 yds
Large Repeat (over 18")	1.25 yds	1.5 yds

## 2. Coordinate Fabric (Up the Roll, Solid, or Railroaded Fabric) 54" - 58" Fabric Width

	Standard Sham	King Sham
Solid	.75 yd	.75 yd
Medium Repeat (up to 18")	1 yd	1 yd
Large Repeat (over 18")	1.25 yds	1.25 yds

## 3a. Back Fabric (Up the Roll or Solid Fabric) 54" - 58" Fabric Width

	Standard Sham	King Sham
Solid	.75 yd	.75 yd
Medium Repeat (up to 18")	1 yd	1 yd
Large Repeat (over 18")	1.25 yds	1.25 yds

## 3b. Back Fabric (Railroaded Fabric) 54" - 58" Fabric Width

	Standard Sham	King Sham
Solid	1 yd	1.25 yds
Medium Repeat (up to 18")	1.25 yds	1.5 yds
Large Repeat (over 18")	1.5 yds	1.75 yds

## Yardage Requirement for Upgrades

### 4. Edge Finish 54" - 58" Fabric Width for Welt, Ruffle, and Flange Upgrades

	Standard Sham (UR or Solid)	Standard Sham (RR)	King Sham (UR or Solid)	King Sham (RR)
Add Trimming	2.75 yds	2.75 yds	3.5 yds	3.5 yds
Add Small/Medium Welt	1 yd	1 yd	1 yd	1 yd
Add Medium Ruched Welt	.75 yd	1.5 yds	.75 yd	1.5 yds
Add Large Ruched Welt	1 yd	1.5 yds	1 yd	1.5 yds
Add 3" Ruffle	1 yd	1.5 yds	1 yd	1.5 yds
Add 3" Double Ruffle	.75 yd (1.5" ruffle) / 1 yd (3" ruffle)	1.5 yds (1.5" ruffle) / 1.5 yd (3" ruffle)	.75 yd (1.5" ruffle) / 1 yd (3" ruffle)	1.5 yds (1.5" ruffle) / 1.5 yds (3" ruffle)
Add 1.5" Mitered	.5 yd	1 yd	.5 yd	1.25 yds
Add 3" Mitered	.75 yd	1 yd	1 yd	1.5 yds
Add 3" Mitered Double Flange	.5 yd (1.5" flange) / .75 yd (3" flange)	1 yd (1.5" flange) / 1 yd (3" flange)	.5 yd (1.5" flange) / 1 yd (3" flange)	1.25 yds (1.5" flange) / 1.5 yds (3" flange)
Add Tassels to Corners	4 Tassels	4 Tassels	4 Tassels	4 Tassels
Add Small Welt to Flange	1 yd	1 yd	1 yd	1 yd
Add Small Cord to Flange	3.75 yds	3.75 yds	4.25 yds	4.25 yds

### 5. Face Finish 54" - 58" Fabric Width for Welt and Cuff Upgrades

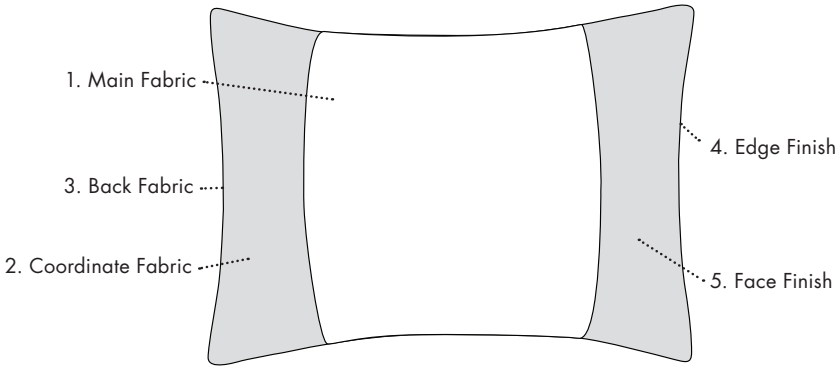
	Standard Sham (UR or Solid)	Standard Sham (RR)	King Sham (UR or Solid)	King Sham (RR)
Add Trimming	2.25 yds	2.25 yds	2.75 yds	2.75 yds
Add Small Welt	1 yd	1 yd	1 yd	1 yd
Add 2" Cuff	.5 yd	.75 yd	.5 yd	1 yd

## Calculate Your Custom Product Cost

<b>Base and Upgrade Charges</b>	+	<b>Material Costs</b>	=	<b>Total Cost</b>
Base Charge: \$50		Main Fabric Cost: \$ _____		\$ _____
Edge Finish Upgrade Charges: \$ _____		Coordinate Fabric Cost: \$ _____		
Face Finish Upgrade Charges: \$ _____		Back Fabric Cost: \$ _____		
		Edge Finish Cost: \$ _____		
		Face Finish Cost: \$ _____		

# Standard/King Sham - Insert

Base Charge: \$40 (insert included)



## Upgrade Options

### Edge Finish

A. Add Trimming (p.74)	\$5
B. Add Small Welt (p.74)	\$5
C. Add Medium Welt (p.74)	\$5
D. Add Medium Ruched Welt (p.74)	\$20
E. Add Large Ruched Welt (p.74)	\$20
J. Add 1.5" Mitered Flange (p.74)	\$20
K. Add 3" Mitered Flange (p.74)	\$20
M. Add Tassels to Corners (p.75)	\$5
N. Add Small Welt to Flange (p.75)	\$5
O. Add Small Cord to Flange (p.75)	\$5

### Face Finish

P. Add Trimming (p.76)	\$5
Q. Add Small Welt (p.76)	\$5
R. Add 2" Cuff (p.76)	\$5

Choose Product:  Standard Sham (20"x27")  King Sham (21"x37")  
 Choose Quantity: \_\_\_\_\_  
 Choose Insert (included):  Cloud (Microfiber) Standard  Bliss (50% White Duck Feathers/50% Microfiber) No extra charge  Plume (100% White Duck Feathers) No extra charge

### Choose Fabric:

1. Main Fabric: Fabric Vendor:  Eastern Accents  C.O.M. (Vendor Name: \_\_\_\_\_)  
 Fabric Code: \_\_\_\_\_ Fabric Width: \_\_\_\_\_"  Railroaded  Vertical (1b)  Horizontal (1a)  Up the Roll/Solid  
 Repeat: V: \_\_\_\_\_" H: \_\_\_\_\_" Yardage Needed: \_\_\_\_\_ yds

2. Coordinate Fabric: Fabric Vendor:  Eastern Accents  C.O.M. (Vendor Name: \_\_\_\_\_)  
 Fabric Code: \_\_\_\_\_ Fabric Width: \_\_\_\_\_"  Railroaded  Vertical (2b)  Horizontal (2a)  Up the Roll/Solid  
 Repeat: V: \_\_\_\_\_" H: \_\_\_\_\_" Yardage Needed: \_\_\_\_\_ yds

3. Back Fabric: Fabric Vendor:  Eastern Accents  C.O.M. (Vendor Name: \_\_\_\_\_)  
 Fabric Code: \_\_\_\_\_ Fabric Width: \_\_\_\_\_"  Railroaded  Vertical (3b)  Horizontal (3a)  Up the Roll/Solid  
 Repeat: V: \_\_\_\_\_" H: \_\_\_\_\_" Yardage Needed: \_\_\_\_\_ yds

### Add Upgrades (optional):

4. Edge Finish:  A: Add Trimming  B: Add Small Welt  C: Add Medium Welt  D: Add Medium Ruched Welt  
 E: Add Large Ruched Welt  J: Add 1.5" Mitered Flange  K: Add 3" Mitered Flange  M: Add Tassels to Corners  
 N: Add Small Welt to Flange  O: Add Small Cord to Flange

#### Edge Trimming (Upgrade A, M, and O):

Trimming Vendor:  Eastern Accents  C.O.M. (Vendor Name: \_\_\_\_\_)  
 Trimming Code: \_\_\_\_\_ Yardage Needed: \_\_\_\_\_ yds

#### Edge Fabric A (Upgrade B, C, D, E, J, and K):

Fabric Vendor:  Eastern Accents  C.O.M. (Vendor Name: \_\_\_\_\_)  
 Fabric Code: \_\_\_\_\_ Fabric Width: \_\_\_\_\_"  Railroaded  Up the Roll/Solid  
 Repeat: V: \_\_\_\_\_" H: \_\_\_\_\_" Yardage Needed: \_\_\_\_\_ yds

#### Edge Fabric B (Upgrade N):

Fabric Vendor:  Eastern Accents  C.O.M. (Vendor Name: \_\_\_\_\_)  
 Fabric Code: \_\_\_\_\_ Fabric Width: \_\_\_\_\_"  Railroaded  Up the Roll/Solid  
 Repeat: V: \_\_\_\_\_" H: \_\_\_\_\_" Yardage Needed: \_\_\_\_\_ yds

5. Face Finish:  P: Add Trimming  Q: Add Small Welt  R: Add 2" Cuff

#### Face Trimming (Upgrade P):

Trimming Vendor:  Eastern Accents  C.O.M. (Vendor Name: \_\_\_\_\_)  
 Trimming Code: \_\_\_\_\_ Yardage Needed: \_\_\_\_\_ yds

#### Face Fabric (Upgrade Q and R):

Fabric Vendor:  Eastern Accents  C.O.M. (Vendor Name: \_\_\_\_\_)  
 Fabric Code: \_\_\_\_\_ Fabric Width: \_\_\_\_\_"  Railroaded  Up the Roll/Solid  
 Repeat: V: \_\_\_\_\_" H: \_\_\_\_\_" Yardage Needed: \_\_\_\_\_ yds

### Special Instructions:

\_\_\_\_\_

To place your order, please sign below and email/fax this worksheet to: Custom@EasternAccents.com/800.998.3278.

Company Name: \_\_\_\_\_ Account #: \_\_\_\_\_

Phone: \_\_\_\_\_ Fax: \_\_\_\_\_ Email: \_\_\_\_\_

Signature: \_\_\_\_\_ Date: \_\_\_\_\_

Custom items cannot be exchanged and are non-returnable and non-refundable.

Do not send C.O.M. fabrics or trimmings prior to receiving your order confirmation number.

# Standard/King Sham Yardage Chart - Insert

## 1a. Main Fabric (Up the Roll or Solid Fabric) 54" - 58" Fabric Width

	Standard Sham	King Sham
Solid	.75 yd	.75 yd
Medium Repeat (up to 18")	1 yd	1 yd
Large Repeat (over 18")	1.25 yds	1.25 yds

## 1b. Main Fabric (Railroaded Fabric) 54" - 58" Fabric Width

	Standard Sham	King Sham
Solid	.5 yd	.5 yd
Medium Repeat (up to 18")	.75 yd	.75 yd
Large Repeat (over 18")	1 yd	1 yd

## 2a. Coordinate Fabric (Up the Roll or Solid Fabric) 54" - 58" Fabric Width

	Standard Sham	King Sham
Solid	.75 yd	.75 yd
Medium Repeat (up to 18")	1 yd	1 yd
Large Repeat (over 18")	1.25 yds	1.25 yds

## 2b. Coordinate Fabric (Railroaded Fabric) 54" - 58" Fabric Width

	Standard Sham	King Sham
Solid	.5 yd	.5 yd
Medium Repeat (up to 18")	.75 yd	.75 yd
Large Repeat (over 18")	1 yd	1 yd

## 3a. Back Fabric (Up the Roll or Solid Fabric) 54" - 58" Fabric Width

	Standard Sham	King Sham
Solid	.75 yd	.75 yd
Medium Repeat (up to 18")	1 yds	1 yd
Large Repeat (over 18")	1.25 yds	1.25 yds

## 3b. Back Fabric (Railroaded Fabric) 54" - 58" Fabric Width

	Standard Sham	King Sham
Solid	1 yd	1.25 yds
Medium Repeat (up to 18")	1.25 yds	1.5 yds
Large Repeat (over 18")	1.5 yds	1.75 yds

## Yardage Requirement for Upgrades

### 4. Edge Finish 54" - 58" Fabric Width for Welt and Flange Upgrades

	Standard Sham (UR or Solid)	Standard Sham (RR)	King Sham (UR or Solid)	King Sham (RR)
Add Trimming	2.75 yds	2.75 yds	3.5 yds	3.5 yds
Add Small/Medium Welt	1 yd	1 yd	1 yd	1 yd
Add Medium Ruched Welt	.75 yd	1.5 yds	.75 yd	1.5 yds
Add Large Ruched Welt	1 yd	1.5 yds	1 yd	1.5 yds
Add 1.5" Mitered Flange	.5 yd	1 yd	.5 yd	1.25 yds
Add 3" Mitered Flange	.75 yd	1 yd	1 yd	1.5 yds
Add Tassels to Corners	4 Tassels	4 Tassels	4 Tassels	4 Tassels
Add Small Welt to Flange	1 yd	1 yd	1 yd	1 yd
Add Small Cord to Flange	3.75 yds	3.75 yds	4.25 yds	4.25 yds

### 5. Face Finish 54" - 58" Fabric Width for Welt and Cuff Upgrades

	Standard Sham (UR or Solid)	Standard Sham (RR)	King Sham (UR or Solid)	King Sham (RR)
Add Trimming	1.5 yds	1.5 yds	1.5 yds	1.5 yds
Add Small Welt	.5 yd	.5 yd	.5 yd	.5 yd
Add 2" Cuff	.25 yd	.75 yd	.25 yd	.75 yd

## Calculate Your Custom Product Cost

Base and Upgrade Charges
Base Charge: \$40
Edge Finish Upgrade Charges: \$ _____
Face Finish Upgrade Charges: \$ _____

+

Material Costs
Main Fabric Cost: \$ _____
Coordinate Fabric Cost: \$ _____
Back Fabric Cost: \$ _____
Edge Finish Cost: \$ _____
Face Finish Cost: \$ _____

=

Total Cost  
\$ \_\_\_\_\_

# Standard/King Sham - Ruched Insert

Base Charge: \$50 (insert included)

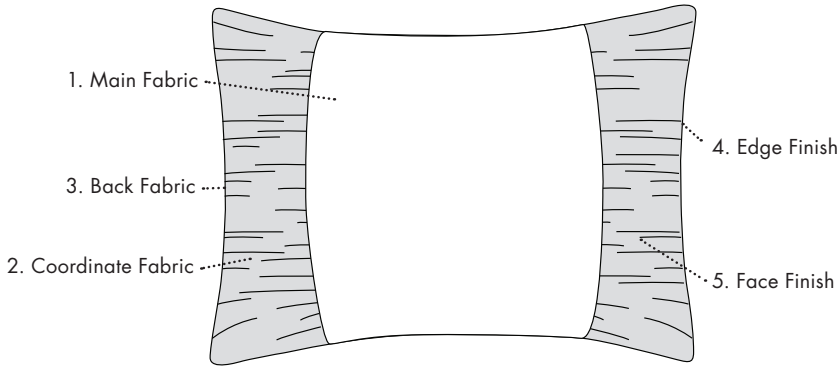
## Upgrade Options

### Edge Finish

- A. Add Trimming (p.74) \$5
- B. Add Small Welt (p.74) \$5
- C. Add Medium Welt (p.74) \$5
- D. Add Medium Ruched Welt (p.74) \$20
- E. Add Large Ruched Welt (p.74) \$20
- J. Add 1.5" Mitered Flange (p.74) \$20
- K. Add 3" Mitered Flange (p.74) \$20
- M. Add Tassels to Corners (p.75) \$5
- N. Add Small Welt to Flange (p.75) \$5
- O. Add Small Cord to Flange (p.75) \$5

### Face Finish

- P. Add Trimming (p.76) \$5
- Q. Add Small Welt (p.76) \$5
- R. Add 2" Cuff (p.76) \$5



Choose Product:  Standard Sham (20"x27")  King Sham (21"x37")  
 Choose Quantity: \_\_\_\_\_  
 Choose Insert (included):  Cloud (Microfiber) Standard  Bliss (50% White Duck Feathers/50% Microfiber) No extra charge  Plume (100% White Duck Feathers) No extra charge

### Choose Fabric:

1. Main Fabric: Fabric Vendor:  Eastern Accents  C.O.M. (Vendor Name: \_\_\_\_\_)  
 Fabric Code: \_\_\_\_\_ Fabric Width: \_\_\_\_\_"  Railroaded  Vertical (1b)  Horizontal (1a)  Up the Roll/Solid  
 Repeat: V: \_\_\_\_\_" H: \_\_\_\_\_" Yardage Needed: \_\_\_\_\_ yds
2. Coordinate Fabric: Fabric Vendor:  Eastern Accents  C.O.M. (Vendor Name: \_\_\_\_\_)  
 Fabric Code: \_\_\_\_\_ Fabric Width: \_\_\_\_\_"  Railroaded  Vertical (2b)  Horizontal (2a)  Up the Roll/Solid  
 Repeat: V: \_\_\_\_\_" H: \_\_\_\_\_" Yardage Needed: \_\_\_\_\_ yds
3. Back Fabric: Fabric Vendor:  Eastern Accents  C.O.M. (Vendor Name: \_\_\_\_\_)  
 Fabric Code: \_\_\_\_\_ Fabric Width: \_\_\_\_\_"  Railroaded  Vertical (3b)  Horizontal (3a)  Up the Roll/Solid  
 Repeat: V: \_\_\_\_\_" H: \_\_\_\_\_" Yardage Needed: \_\_\_\_\_ yds

### Add Upgrades (optional):

4. Edge Finish:  A: Add Trimming  B: Add Small Welt  C: Add Medium Welt  D: Add Medium Ruched Welt  
 E: Add Large Ruched Welt  J: Add 1.5" Mitered Flange  K: Add 3" Mitered Flange  M: Add Tassels to Corners  
 N: Add Small Welt to Flange  O: Add Small Cord to Flange

#### Edge Trimming (Upgrade A, M, and O):

Trimming Vendor:  Eastern Accents  C.O.M. (Vendor Name: \_\_\_\_\_)  
 Trimming Code: \_\_\_\_\_ Yardage Needed: \_\_\_\_\_ yds

#### Edge Fabric A (Upgrade B, C, D, E, J, and K):

Fabric Vendor:  Eastern Accents  C.O.M. (Vendor Name: \_\_\_\_\_)  
 Fabric Code: \_\_\_\_\_ Fabric Width: \_\_\_\_\_"  Railroaded  Up the Roll/Solid  
 Repeat: V: \_\_\_\_\_" H: \_\_\_\_\_" Yardage Needed: \_\_\_\_\_ yds

#### Edge Fabric B (Upgrade N):

Fabric Vendor:  Eastern Accents  C.O.M. (Vendor Name: \_\_\_\_\_)  
 Fabric Code: \_\_\_\_\_ Fabric Width: \_\_\_\_\_"  Railroaded  Up the Roll/Solid  
 Repeat: V: \_\_\_\_\_" H: \_\_\_\_\_" Yardage Needed: \_\_\_\_\_ yds

5. Face Finish:  P: Add Trimming  Q: Add Small Welt  R: Add 2" Cuff

#### Face Trimming (Upgrade P):

Trimming Vendor:  Eastern Accents  C.O.M. (Vendor Name: \_\_\_\_\_)  
 Trimming Code: \_\_\_\_\_ Yardage Needed: \_\_\_\_\_ yds

#### Face Fabric (Upgrade Q and R):

Fabric Vendor:  Eastern Accents  C.O.M. (Vendor Name: \_\_\_\_\_)  
 Fabric Code: \_\_\_\_\_ Fabric Width: \_\_\_\_\_"  Railroaded  Up the Roll/Solid  
 Repeat: V: \_\_\_\_\_" H: \_\_\_\_\_" Yardage Needed: \_\_\_\_\_ yds

### Special Instructions:

To place your order, please sign below and email/fax this worksheet to: Custom@EasternAccents.com/800.998.3278.

Company Name: \_\_\_\_\_ Account #: \_\_\_\_\_

Phone: \_\_\_\_\_ Fax: \_\_\_\_\_ Email: \_\_\_\_\_

Signature: \_\_\_\_\_ Date: \_\_\_\_\_

Custom items cannot be exchanged and are non-returnable and non-refundable.

Do not send C.O.M. fabrics or trimmings prior to receiving your order confirmation number.

# Standard/King Sham Yardage Chart - Ruched Insert

## 1a. Main Fabric (Up the Roll or Solid Fabric) 54" - 58" Fabric Width

	Standard Sham	King Sham
Solid	.75 yd	.75 yd
Medium Repeat (up to 18")	1 yd	1 yd
Large Repeat (over 18")	1.25 yds	1.25 yds

## 1b. Main Fabric (Railroaded Fabric) 54" - 58" Fabric Width

	Standard Sham	King Sham
Solid	.5 yd	.5 yd
Medium Repeat (up to 18")	.75 yd	.75 yd
Large Repeat (over 18")	1 yd	1 yd

## 2a. Coordinate Fabric (Up the Roll or Solid Fabric) 54" - 58" Fabric Width

	Standard Sham	King Sham
Solid	1.25 yds	1.25 yds
Medium Repeat (up to 18")	1.5 yd	1.5 yd
Large Repeat (over 18")	1.75 yds	1.75 yds

## 2b. Coordinate Fabric (Railroaded Fabric) 54" - 58" Fabric Width

	Standard Sham	King Sham
Solid	.5 yd	.5 yd
Medium Repeat (up to 18")	.75 yd	.75 yd
Large Repeat (over 18")	1 yd	1 yd

## 3a. Back Fabric (Up the Roll or Solid Fabric) 54" - 58" Fabric Width

	Standard Sham	King Sham
Solid	.75 yd	.75 yd
Medium Repeat (up to 18")	1 yd	1 yd
Large Repeat (over 18")	1.25 yds	1.25 yds

## 3b. Back Fabric (Railroaded Fabric) 54" - 58" Fabric Width

	Standard Sham	King Sham
Solid	1 yd	1.25 yds
Medium Repeat (up to 18")	1.25 yds	1.5 yds
Large Repeat (over 18")	1.5 yds	1.75 yds

## Yardage Requirement for Upgrades

### 4. Edge Finish 54" - 58" Fabric Width for Welt and Flange Upgrades

	Standard Sham (UR or Solid)	Standard Sham (RR)	King Sham (UR or Solid)	King Sham (RR)
Add Trimming	2.75 yds	2.75 yds	3.5 yds	3.5 yds
Add Small/Medium Welt	1 yd	1 yd	1 yd	1 yd
Add Medium Ruched Welt	.75 yd	1.5 yds	.75 yd	1.5 yds
Add Large Ruched Welt	1 yd	1.5 yds	1 yd	1.5 yds
Add 1.5" Mitered Flange	.5 yd	1 yd	.5 yd	1.25 yds
Add 3" Mitered Flange	.75 yd	1 yd	1 yd	1.5 yds
Add Tassels to Corners	4 Tassels	4 Tassels	4 Tassels	4 Tassels
Add Small Welt to Flange	1 yd	1 yd	1 yd	1 yd
Add Small Cord to Flange	3.75 yds	3.75 yds	4.25 yds	4.25 yds

### 5. Face Finish 54" - 58" Fabric Width for Welt and Cuff Upgrades

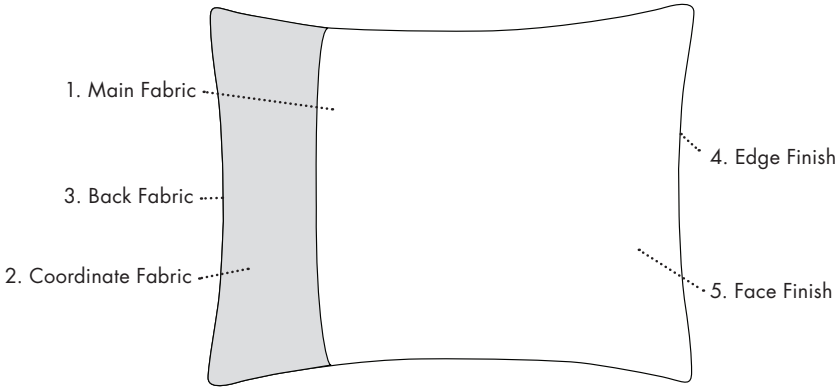
	Standard Sham (UR or Solid)	Standard Sham (RR)	King Sham (UR or Solid)	King Sham (RR)
Add Trimming	1.5 yds	1.5 yds	1.5 yds	1.5 yds
Add Small Welt	.5 yd	.5 yd	.5 yd	.5 yd
Add 2" Cuff	.25 yd	.75 yd	.25 yd	.75 yd

## Calculate Your Custom Product Cost

<b>Base and Upgrade Charges</b> Base Charge: \$50 Edge Finish Upgrade Charges: \$ _____ Face Finish Upgrade Charges: \$ _____	+	<b>Material Costs</b> Main Fabric Cost: \$ _____ Coordinate Fabric Cost: \$ _____ Back Fabric Cost: \$ _____ Edge Finish Cost: \$ _____ Face Finish Cost: \$ _____	=	<b>Total Cost</b> \$ _____
--	---	---	---	-------------------------------

# Standard/King Sham - Left & Right

Base Charge: \$40 (insert included)



## Upgrade Options

### Edge Finish

A. Add Trimming (p.74)	\$5
B. Add Small Welt (p.74)	\$5
C. Add Medium Welt (p.74)	\$5
D. Add Medium Ruched Welt (p.74)	\$20
E. Add Large Ruched Welt (p.74)	\$20
J. Add 1.5" Mitered Flange (p.74)	\$20
K. Add 3" Mitered Flange (p.74)	\$20
N. Add Small Welt to Flange (p.75)	\$5
O. Add Small Cord to Flange (p.75)	\$5

### Face Finish

P. Add Trimming (p.76)	\$5
Q. Add Small Welt (p.76)	\$5
R. Add 2" Cuff (p.76)	\$5

Choose Product:  Standard Sham (20"x27")  King Sham (21"x37")  
 Choose Quantity: \_\_\_\_\_  
 Choose Insert (included):  Cloud (Microfiber) Standard  Bliss (50% White Duck Feathers/50% Microfiber) No extra charge  Plume (100% White Duck Feathers) No extra charge

### Choose Fabric:

1. Main Fabric: Fabric Vendor:  Eastern Accents  C.O.M. (Vendor Name: \_\_\_\_\_)  
 Fabric Code: \_\_\_\_\_ Fabric Width: \_\_\_\_\_"  Railroaded  Vertical (1b)  Horizontal (1a)  Up the Roll/Solid  
 Repeat: V: \_\_\_\_\_" H: \_\_\_\_\_" Yardage Needed: \_\_\_\_\_ yds

2. Coordinate Fabric: Fabric Vendor:  Eastern Accents  C.O.M. (Vendor Name: \_\_\_\_\_)  
 Fabric Code: \_\_\_\_\_ Fabric Width: \_\_\_\_\_"  Railroaded  Vertical (2b)  Horizontal (2a)  Up the Roll/Solid  
 Repeat: V: \_\_\_\_\_" H: \_\_\_\_\_" Yardage Needed: \_\_\_\_\_ yds

3. Back Fabric: Fabric Vendor:  Eastern Accents  C.O.M. (Vendor Name: \_\_\_\_\_)  
 Fabric Code: \_\_\_\_\_ Fabric Width: \_\_\_\_\_"  Railroaded  Vertical (3b)  Horizontal (3a)  Up the Roll/Solid  
 Repeat: V: \_\_\_\_\_" H: \_\_\_\_\_" Yardage Needed: \_\_\_\_\_ yds

### Add Upgrades (optional):

4. Edge Finish:  A: Add Trimming  B: Add Small Welt  C: Add Medium Welt  D: Add Medium Ruched Welt  
 E: Add Large Ruched Welt  J: Add 1.5" Mitered Flange  K: Add 3" Mitered Flange  N: Add Small Welt to Flange  
 O: Add Small Cord to Flange

#### Edge Trimming (Upgrade A and O):

Trimming Vendor:  Eastern Accents  C.O.M. (Vendor Name: \_\_\_\_\_)  
 Trimming Code: \_\_\_\_\_ Yardage Needed: \_\_\_\_\_ yds

#### Edge Fabric A (Upgrade B, C, D, E, J, and K):

Fabric Vendor:  Eastern Accents  C.O.M. (Vendor Name: \_\_\_\_\_)  
 Fabric Code: \_\_\_\_\_ Fabric Width: \_\_\_\_\_"  Railroaded  Up the Roll/Solid  
 Repeat: V: \_\_\_\_\_" H: \_\_\_\_\_" Yardage Needed: \_\_\_\_\_ yds

#### Edge Fabric B (Upgrade N):

Fabric Vendor:  Eastern Accents  C.O.M. (Vendor Name: \_\_\_\_\_)  
 Fabric Code: \_\_\_\_\_ Fabric Width: \_\_\_\_\_"  Railroaded  Up the Roll/Solid  
 Repeat: V: \_\_\_\_\_" H: \_\_\_\_\_" Yardage Needed: \_\_\_\_\_ yds

5. Face Finish:  P: Add Trimming  Q: Add Small Welt  R: Add 2" Cuff

#### Face Trimming (Upgrade P):

Trimming Vendor:  Eastern Accents  C.O.M. (Vendor Name: \_\_\_\_\_)  
 Trimming Code: \_\_\_\_\_ Yardage Needed: \_\_\_\_\_ yds

#### Face Fabric (Upgrade Q and R):

Fabric Vendor:  Eastern Accents  C.O.M. (Vendor Name: \_\_\_\_\_)  
 Fabric Code: \_\_\_\_\_ Fabric Width: \_\_\_\_\_"  Railroaded  Up the Roll/Solid  
 Repeat: V: \_\_\_\_\_" H: \_\_\_\_\_" Yardage Needed: \_\_\_\_\_ yds

### Special Instructions:

To place your order, please sign below and email/fax this worksheet to: Custom@EasternAccents.com/800.998.3278.

Company Name: \_\_\_\_\_ Account #: \_\_\_\_\_

Phone: \_\_\_\_\_ Fax: \_\_\_\_\_ Email: \_\_\_\_\_

Signature: \_\_\_\_\_ Date: \_\_\_\_\_

Custom items cannot be exchanged and are non-returnable and non-refundable.

Do not send C.O.M. fabrics or trimmings prior to receiving your order confirmation number.



# Standard/King Sham Yardage Chart - Left & Right

## 1a. Main Fabric (Up the Roll or Solid Fabric) 54" - 58" Fabric Width

	Standard Sham	King Sham
Solid	.75 yd	.75 yd
Medium Repeat (up to 18")	1 yd	1 yd
Large Repeat (over 18")	1.25 yds	1.25 yds

## 1b. Main Fabric (Railroaded Fabric) 54" - 58" Fabric Width

	Standard Sham	King Sham
Solid	.75 yd	1 yd
Medium Repeat (up to 18")	1 yd	1.25 yds
Large Repeat (over 18")	1.25 yds	1.5 yds

## 2a. Coordinate Fabric (Up the Roll or Solid Fabric) 54" - 58" Fabric Width

	Standard Sham	King Sham
Solid	.75 yd	.75 yd
Medium Repeat (up to 18")	1 yd	1 yd
Large Repeat (over 18")	1.25 yds	1.25 yds

## 2b. Coordinate Fabric (Railroaded Fabric) 54" - 58" Fabric Width

	Standard Sham	King Sham
Solid	.5 yd	.5 yd
Medium Repeat (up to 18")	.75 yd	.75 yd
Large Repeat (over 18")	1 yd	1 yd

## 3a. Back Fabric (Up the Roll or Solid Fabric) 54" - 58" Fabric Width

	Standard Sham	King Sham
Solid	.75 yd	.75 yd
Medium Repeat (up to 18")	1 yd	1 yd
Large Repeat (over 18")	1.25 yds	1.25 yds

## 3b. Back Fabric (Railroaded Fabric) 54" - 58" Fabric Width

	Standard Sham	King Sham
Solid	1 yd	1.25 yds
Medium Repeat (up to 18")	1.25 yds	1.5 yds
Large Repeat (over 18")	1.5 yds	1.75 yds

## Yardage Requirement for Upgrades

### 4. Edge Finish - 54" - 58" Fabric Width for Welt and Flange Upgrades

	Standard Sham (UR or Solid)	Standard Sham (RR)	King Sham (UR or Solid)	King Sham (RR)
Add Trimming	2.75 yds	2.75 yds	3.5 yds	3.5 yds
Add Small/Medium Welt	1 yd	1 yd	1 yd	1 yd
Add Medium Ruched Welt	.75 yd	1.5 yds	.75 yd	1.5 yds
Add Large Ruched Welt	1 yd	1.5 yds	1 yd	1.5 yds
Add 1.5" Mitered Flange	.5 yd	1 yd	.5 yd	1.25 yds
Add 3" Mitered Flange	.75 yd	1 yd	1 yd	1.5 yds
Add Small Welt to Flange	1 yd	1 yd	1 yd	1 yd
Add Small Cord to Flange	3.75 yds	3.75 yds	4.25 yds	4.25 yds

### 5. Face Finish 54" - 58" Fabric Width for Welt and Cuff Upgrades

	Standard Sham (UR or Solid)	Standard Sham (RR)	King Sham (UR or Solid)	King Sham (RR)
Add Trimming	1.5 yds	1.5 yds	1.5 yds	1.5 yds
Add Small Welt	.5 yd	.5 yd	.5 yd	.5 yd
Add 2" Cuff	.25 yd	.75 yd	.25 yd	.75 yd

## Calculate Your Custom Product Cost

<table border="1" style="width: 100%; border-collapse: collapse;"> <thead> <tr> <th style="background-color: #cccccc;">Base and Upgrade Charges</th> </tr> </thead> <tbody> <tr> <td>Base Charge: \$40</td> </tr> <tr> <td>Edge Finish Upgrade Charges: \$ _____</td> </tr> <tr> <td>Face Finish Upgrade Charges: \$ _____</td> </tr> </tbody> </table>	Base and Upgrade Charges	Base Charge: \$40	Edge Finish Upgrade Charges: \$ _____	Face Finish Upgrade Charges: \$ _____	+	<table border="1" style="width: 100%; border-collapse: collapse;"> <thead> <tr> <th style="background-color: #cccccc;">Material Costs</th> </tr> </thead> <tbody> <tr> <td>Main Fabric Cost: \$ _____</td> </tr> <tr> <td>Coordinate Fabric Cost: \$ _____</td> </tr> <tr> <td>Back Fabric Cost: \$ _____</td> </tr> <tr> <td>Edge Finish Cost: \$ _____</td> </tr> <tr> <td>Face Finish Cost: \$ _____</td> </tr> </tbody> </table>	Material Costs	Main Fabric Cost: \$ _____	Coordinate Fabric Cost: \$ _____	Back Fabric Cost: \$ _____	Edge Finish Cost: \$ _____	Face Finish Cost: \$ _____	=	<p style="text-align: right; margin: 0;"><b>Total Cost</b></p> <p style="text-align: right; margin: 0;">\$ _____</p>
Base and Upgrade Charges														
Base Charge: \$40														
Edge Finish Upgrade Charges: \$ _____														
Face Finish Upgrade Charges: \$ _____														
Material Costs														
Main Fabric Cost: \$ _____														
Coordinate Fabric Cost: \$ _____														
Back Fabric Cost: \$ _____														
Edge Finish Cost: \$ _____														
Face Finish Cost: \$ _____														

# Standard/King Sham - Envelope

Base Charge: \$50 (insert included)

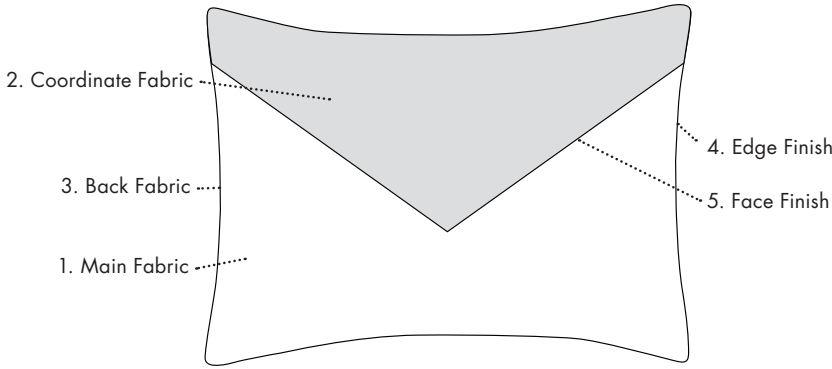
## Upgrade Options

### Edge Finish

- A. Add Trimming (p.74) \$5
- B. Add Small Welt (p.74) \$5
- C. Add Medium Welt (p.74) \$5
- D. Add Medium Ruched Welt (p.74) \$20
- E. Add Large Ruched Welt (p.74) \$20

### Face Finish

- X. Add Trim to Envelope (p.76) \$5
- Y. Add Tassel to Envelope (p.76) \$5



Choose Product:  Standard Sham (20"x27")  King Sham (21"x37")

Choose Quantity: \_\_\_\_\_

Choose Insert (included):  Cloud (Microfiber) Standard  Bliss (50% White Duck Feathers/50% Microfiber) No extra charge  Plume (100% White Duck Feathers) No extra charge

Choose Fabric:

1. Main Fabric: Fabric Vendor:  Eastern Accents  C.O.M. (Vendor Name: \_\_\_\_\_)  
 Fabric Code: \_\_\_\_\_ Fabric Width: \_\_\_\_\_"  Railroaded  Vertical (1b)  Horizontal (1a)  Up the Roll/Solid  
 Repeat: V: \_\_\_\_\_" H: \_\_\_\_\_" Yardage Needed: \_\_\_\_\_ yds
2. Coordinate Fabric: Fabric Vendor:  Eastern Accents  C.O.M. (Vendor Name: \_\_\_\_\_)  
 Fabric Code: \_\_\_\_\_ Fabric Width: \_\_\_\_\_"  Railroaded  Vertical (2b)  Horizontal (2a)  Up the Roll/Solid  
 Repeat: V: \_\_\_\_\_" H: \_\_\_\_\_" Yardage Needed: \_\_\_\_\_ yds
3. Back Fabric: Fabric Vendor:  Eastern Accents  C.O.M. (Vendor Name: \_\_\_\_\_)  
 Fabric Code: \_\_\_\_\_ Fabric Width: \_\_\_\_\_"  Railroaded  Vertical (3b)  Horizontal (3a)  Up the Roll/Solid  
 Repeat: V: \_\_\_\_\_" H: \_\_\_\_\_" Yardage Needed: \_\_\_\_\_ yds

Add Upgrades (optional):

4. Edge Finish:  A: Add Trimming  B: Add Small Welt  C: Add Medium Welt  D: Add Medium Ruched Welt  
 E: Add Large Ruched Welt

Edge Trimming (Upgrade A):

Trimming Vendor:  Eastern Accents  C.O.M. (Vendor Name: \_\_\_\_\_)  
 Trimming Code: \_\_\_\_\_ Yardage Needed: \_\_\_\_\_ yds

Edge Fabric A (Upgrade B, C, D, and E):

Fabric Vendor:  Eastern Accents  C.O.M. (Vendor Name: \_\_\_\_\_)  
 Fabric Code: \_\_\_\_\_ Fabric Width: \_\_\_\_\_"  Railroaded  Up the Roll/Solid  
 Repeat: V: \_\_\_\_\_" H: \_\_\_\_\_" Yardage Needed: \_\_\_\_\_ yds

5. Face Finish:  X: Add Trim to Envelope  Y: Add Tassel to Envelope

Face Trimming (Upgrade X and Y):

Trimming Vendor:  Eastern Accents  C.O.M. (Vendor Name: \_\_\_\_\_)  
 Trimming Code: \_\_\_\_\_ Yardage Needed: \_\_\_\_\_ yds

Special Instructions:

---



---

To place your order, please sign below and email/fax this worksheet to: Custom@EasternAccents.com/800.998.3278.

Company Name: \_\_\_\_\_ Account #: \_\_\_\_\_

Phone: \_\_\_\_\_ Fax: \_\_\_\_\_ Email: \_\_\_\_\_

Signature: \_\_\_\_\_ Date: \_\_\_\_\_

Custom items cannot be exchanged and are non-returnable and non-refundable.

Do not send C.O.M. fabrics or trimmings prior to receiving your order confirmation number.

# Standard/King Sham Yardage Chart - Envelope

## 1a. Main Fabric (Up the Roll or Solid Fabric) 54" - 58" Fabric Width

	Standard Sham	King Sham
Solid	.5 yd	.5 yd
Medium Repeat (up to 18")	.75 yd	.75 yd
Large Repeat (over 18")	1 yd	1 yd

## 1b. Main Fabric (Railroaded Fabric) 54" - 58" Fabric Width

	Standard Sham	King Sham
Solid	1 yd	1.25 yds
Medium Repeat (up to 18")	1.25 yds	1.5 yds
Large Repeat (over 18")	1.5 yds	1.75 yds

## 2a. Coordinate Fabric (Up the Roll or Solid Fabric) 54" - 58" Fabric Width

	Standard Sham	King Sham
Solid	.75 yd	.75 yd
Medium Repeat (up to 18")	1 yd	1 yd
Large Repeat (over 18")	1.25 yds	1.25 yds

## 2b. Coordinate Fabric (Railroaded Fabric) 54" - 58" Fabric Width

	Standard Sham	King Sham
Solid	1 yd	1.25 yds
Medium Repeat (up to 18")	1.25 yds	1.5 yds
Large Repeat (over 18")	1.5 yds	1.75 yds

## 3a. Back Fabric (Up the Roll or Solid Fabric) 54" - 58" Fabric Width

	Standard Sham	King Sham
Solid	.75 yd	.75 yd
Medium Repeat (up to 18")	1 yd	1 yd
Large Repeat (over 18")	1.25 yds	1.25 yds

## 3b. Back Fabric (Railroaded Fabric) 54" - 58" Fabric Width

	Standard Sham	King Sham
Solid	1 yd	1.25 yds
Medium Repeat (up to 18")	1.25 yds	1.5 yds
Large Repeat (over 18")	1.5 yds	1.75 yds

## Yardage Requirement for Upgrades

### 4. Edge Finish 54" - 58" Fabric Width for Welt Upgrade

	Standard Sham (UR or Solid)	Standard Sham (RR)	King Sham (UR or Solid)	King Sham (RR)
Add Trimming	2.75 yds	2.75 yds	3.5 yds	3.5 yds
Add Small/Medium Welt	1 yd	1 yd	1 yd	1 yd
Add Medium Ruched Welt	.75 yd	1.5 yds	.75 yd	1.5 yds
Add Large Ruched Welt	1 yd	1.5 yds	1 yd	1.5 yds

### 5. Face Finish

	Standard Sham	King Sham
Add Trim to Envelope	1.25 yds	1.25 yds
Add Tassel to Envelope	1 Tassel	1 Tassel

## Calculate Your Custom Product Cost

<table border="1" style="width: 100%; border-collapse: collapse;"> <thead> <tr> <th style="background-color: #cccccc;">Base and Upgrade Charges</th> </tr> </thead> <tbody> <tr> <td>Base Charge: \$50</td> </tr> <tr> <td>Edge Finish Upgrade Charges: \$ _____</td> </tr> <tr> <td>Face Finish Upgrade Charges: \$ _____</td> </tr> </tbody> </table>	Base and Upgrade Charges	Base Charge: \$50	Edge Finish Upgrade Charges: \$ _____	Face Finish Upgrade Charges: \$ _____	+	<table border="1" style="width: 100%; border-collapse: collapse;"> <thead> <tr> <th style="background-color: #cccccc;">Material Costs</th> </tr> </thead> <tbody> <tr> <td>Main Fabric Cost: \$ _____</td> </tr> <tr> <td>Coordinate Fabric Cost: \$ _____</td> </tr> <tr> <td>Back Fabric Cost: \$ _____</td> </tr> <tr> <td>Edge Finish Cost: \$ _____</td> </tr> <tr> <td>Face Finish Cost: \$ _____</td> </tr> </tbody> </table>	Material Costs	Main Fabric Cost: \$ _____	Coordinate Fabric Cost: \$ _____	Back Fabric Cost: \$ _____	Edge Finish Cost: \$ _____	Face Finish Cost: \$ _____	=	<p style="text-align: right; margin: 0;"><b>Total Cost</b></p> <p style="text-align: right; margin: 0;">\$ _____</p>
Base and Upgrade Charges														
Base Charge: \$50														
Edge Finish Upgrade Charges: \$ _____														
Face Finish Upgrade Charges: \$ _____														
Material Costs														
Main Fabric Cost: \$ _____														
Coordinate Fabric Cost: \$ _____														
Back Fabric Cost: \$ _____														
Edge Finish Cost: \$ _____														
Face Finish Cost: \$ _____														

# Standard/King Sham - Collage

Base Charge: \$50 (insert included)

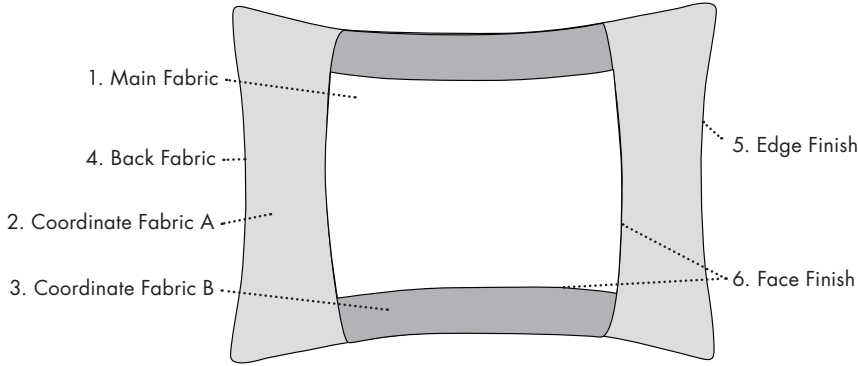
## Upgrade Options

### Edge Finish

A. Add Trimming (p.74)	\$5
B. Add Small Welt (p.74)	\$5
C. Add Medium Welt (p.74)	\$5
D. Add Medium Ruched Welt (p.74)	\$20
E. Add Large Ruched Welt (p.74)	\$20
F. Add 3" Ruffle (p.74)	\$20
G. Add 3" Double Ruffle (p.74)	\$25
J. Add 1.5" Mitered Flange (p.74)	\$20
K. Add 3" Mitered Flange (p.74)	\$20
L. Add 3" Mitered Double Flange (p.74)	\$25
M. Add Tassels to Corners (p.75)	\$5
N. Add Small Welt to Flange (p.75)	\$5
O. Add Small Cord to Flange (p.75)	\$5

### Face Finish

P. Add Trimming (p.76)	\$5
Q. Add Small Welt (p.76)	\$5
R. Add 2" Cuff (p.76)	\$5



Choose Product:  Standard Sham (20"x27")  King Sham (21"x37")

Choose Quantity: \_\_\_\_\_

Choose Insert (included):  Cloud (Microfiber) Standard  Bliss (50% White Duck Feathers/50% Microfiber) No extra charge  Plume (100% White Duck Feathers) No extra charge

### Choose Fabric:

1. Main Fabric: Fabric Vendor:  Eastern Accents  C.O.M. (Vendor Name: \_\_\_\_\_)  
 Fabric Code: \_\_\_\_\_ Fabric Width: \_\_\_\_\_"  Railroaded:  Vertical  Horizontal  Up the Roll/Solid  
 Repeat: V: \_\_\_\_\_" H: \_\_\_\_\_" Yardage Needed: \_\_\_\_\_ yds
2. Coordinate Fabric A: Fabric Vendor:  Eastern Accents  C.O.M. (Vendor Name: \_\_\_\_\_)  
 Fabric Code: \_\_\_\_\_ Fabric Width: \_\_\_\_\_"  Railroaded:  Vertical  Horizontal  Up the Roll/Solid  
 Repeat: V: \_\_\_\_\_" H: \_\_\_\_\_" Yardage Needed: \_\_\_\_\_ yds
3. Coordinate Fabric B: Fabric Vendor:  Eastern Accents  C.O.M. (Vendor Name: \_\_\_\_\_)  
 Fabric Code: \_\_\_\_\_ Fabric Width: \_\_\_\_\_"  Railroaded:  Vertical  Horizontal  Up the Roll/Solid  
 Repeat: V: \_\_\_\_\_" H: \_\_\_\_\_" Yardage Needed: \_\_\_\_\_ yds
4. Back Fabric: Fabric Vendor:  Eastern Accents  C.O.M. (Vendor Name: \_\_\_\_\_)  
 Fabric Code: \_\_\_\_\_ Fabric Width: \_\_\_\_\_"  Railroaded:  Vertical  Horizontal  Up the Roll/Solid  
 Repeat: V: \_\_\_\_\_" H: \_\_\_\_\_" Yardage Needed: \_\_\_\_\_ yds

### Add Upgrades (optional):

5. Edge Finish:  A: Add Trimming  B: Add Small Welt  C: Add Medium Welt  D: Add Medium Ruched Welt  
 E: Add Large Ruched Welt  F: Add 3" Ruffle  G: Add 3" Double Ruffle  H: Add 1.5" Self Flange  
 I: Add 3" Self Flange  J: Add 1.5" Mitered Flange  K: Add 3" Mitered Flange  L: Add 3" Mitered Double Flange  
 M: Add Tassels to Corners  N: Add Small Welt to Flange  O: Add Small Cord to Flange

#### Edge Trimming (Upgrade A, M, and O):

Trimming Vendor:  Eastern Accents  C.O.M. (Vendor Name: \_\_\_\_\_)  
 Trimming Code: \_\_\_\_\_ Yardage Needed: \_\_\_\_\_ yds

#### Edge Fabric A (Upgrade B, C, D, E, J, and K):

Fabric Vendor:  Eastern Accents  C.O.M. (Vendor Name: \_\_\_\_\_)  
 Fabric Code: \_\_\_\_\_ Fabric Width: \_\_\_\_\_"  Railroaded:  Vertical (Up the Roll yardage)  Horizontal  Up the Roll/Solid  
 Repeat: V: \_\_\_\_\_" H: \_\_\_\_\_" Yardage Needed: \_\_\_\_\_ yds

#### Edge Fabric B (Upgrade N):

Fabric Vendor:  Eastern Accents  C.O.M. (Vendor Name: \_\_\_\_\_)  
 Fabric Code: \_\_\_\_\_ Fabric Width: \_\_\_\_\_"  Railroaded:  Vertical (Up the Roll yardage)  Horizontal  Up the Roll/Solid  
 Repeat: V: \_\_\_\_\_" H: \_\_\_\_\_" Yardage Needed: \_\_\_\_\_ yds

6. Face Finish:  P: Add Trimming  Q: Add Small Welt  R: Add 2" Cuff

#### Face Trimming (Upgrade P):

Trimming Vendor:  Eastern Accents  C.O.M. (Vendor Name: \_\_\_\_\_)  
 Trimming Code: \_\_\_\_\_ Yardage Needed: \_\_\_\_\_ yds

#### Face Fabric (Upgrade Q and R):

Fabric Vendor:  Eastern Accents  C.O.M. (Vendor Name: \_\_\_\_\_)  
 Fabric Code: \_\_\_\_\_ Fabric Width: \_\_\_\_\_"  Railroaded  Up the Roll/Solid  
 Repeat: V: \_\_\_\_\_" H: \_\_\_\_\_" Yardage Needed: \_\_\_\_\_ yds

### Special Instructions:

To place your order, please sign below and email/fax this worksheet to: Custom@EasternAccents.com/800.998.3278.

Company Name: \_\_\_\_\_ Account #: \_\_\_\_\_

Phone: \_\_\_\_\_ Fax: \_\_\_\_\_ Email: \_\_\_\_\_

Signature: \_\_\_\_\_ Date: \_\_\_\_\_

Custom items cannot be exchanged and are non-returnable and non-refundable.

Do not send C.O.M. fabrics or trimmings prior to receiving your order confirmation number.

# Standard/King Sham Yardage Chart - Collage

## 1. Main Fabric (Up the Roll, Solid, or Railroaded Fabric) 54" - 58" Fabric Width

	Standard Sham (UR)	Standard Sham (RR)	King Sham (UR)	King Sham (RR)
Solid	.5 yd	.75 yd	.5 yd	1 yd
Medium Repeat (up to 18")	.75 yd	1 yd	.75 yd	1.25 yds
Large Repeat (over 18")	1 yd	1.25 yds	1 yd	1.5 yds

## 2. Coordinate Fabric A (Up the Roll, Solid, or Railroaded Fabric) 54" - 58" Fabric Width

	Standard Sham (UR)	Standard Sham (RR)	King Sham (UR)	King Sham (RR)
Solid	.75 yd	.5 yd	.75 yd	.5 yd
Medium Repeat (up to 18")	1 yd	.75 yd	1 yd	.75 yd
Large Repeat (over 18")	1.25 yds	1 yd	1.25 yds	1 yd

## 3. Coordinate Fabric B (Up the Roll, Solid, or Railroaded Fabric) 54" - 58" Fabric Width

	Standard Sham (UR)	Standard Sham (RR)	King Sham (UR)	King Sham (RR)
Solid	.5 yd	.75 yd	.5 yd	1 yd
Medium Repeat (up to 18")	.75 yd	1 yd	.75 yd	1.25 yds
Large Repeat (over 18")	1 yd	1.25 yds	1 yd	1.5 yds

## 4. Back Fabric (Up the Roll, Solid, or Railroaded Fabric) 54" - 58" Fabric Width

	Standard Sham (UR)	Standard Sham (RR)	King Sham (UR)	King Sham (RR)
Solid	.75 yd	1 yd	.75 yd	1.25 yds
Medium Repeat (up to 18")	1 yd	1.25 yds	1 yd	1.5 yds
Large Repeat (over 18")	1.25 yds	1.5 yds	1.25 yds	1.75 yds

## Yardage Requirement for Upgrades

### 5. Edge Finish 54" - 58" Fabric Width for Welt, Ruffle, and Flange Upgrades

	Standard Sham (UR or Solid)	Standard Sham (RR)	King Sham (UR or Solid)	King Sham (RR)
Add Trimming	2.75 yds	2.75 yds	3.5 yds	3.5 yds
Add Small/Medium Welt	1 yd	1 yd	1 yd	1 yd
Add Medium Ruched Welt	.75 yd	1.5 yds	.75 yd	1.5 yds
Add Large Ruched Welt	1 yd	1.5 yds	1 yd	1.5 yds
Add 3" Ruffle	1 yd	1.5 yds	1 yd	1.5 yds
Add 3" Double Ruffle	.75 yd (1.5" ruffle) / 1 yd (3" ruffle)	1.5 yds (1.5" ruffle) / 1.5 yds (3" ruffle)	.75 yd (1.5" ruffle) / 1 yd (3" ruffle)	1.5 yds (1.5" ruffle) / 1.5 yds (3" ruffle)
Add 1.5" Mitered	.5 yd	1 yd	.5 yd	1.25 yds
Add 3" Mitered	.75 yd	1 yd	1 yd	1.5 yds
Add 3" Mitered Double Flange	.5 yd (1.5" flange) / .75 yd (3" flange)	1 yd (1.5" flange) / 1 yd (3" flange)	.5 yd (1.5" flange) / 1 yd (3" flange)	1.25 yds (1.5" flange) / 1.5 yds (3" flange)
Add Tassels to Corners	4 Tassels	4 Tassels	4 Tassels	4 Tassels
Add Small Welt to Flange	1 yd	1 yd	1 yd	1 yd
Add Small Cord to Flange	3.75 yds	3.75 yds	4.25 yds	4.25 yds

### 6. Face Finish 54" - 58" Fabric Width for Welt and Cuff Upgrades

	Standard Sham (UR or Solid)	Standard Sham (RR)	King Sham (UR or Solid)	King Sham (RR)
Add Trimming	.75 yd	.75 yd	1 yd	.75 yd
Add Small Welt	.5 yd	.5 yd	.5 yd	.5 yd
Add 2" Cuff	.25 yd	.75 yd	.25 yd	.75 yd

## Calculate Your Custom Product Cost

Base and Upgrade Charges
Base Charge: \$50
Edge Finish Upgrade Charges: \$ _____
Face Finish Upgrade Charges: \$ _____

+

Material Costs
Main Fabric Cost: \$ _____
Coordinate Fabric A Cost: \$ _____
Coordinate Fabric B Cost: \$ _____
Back Fabric Cost: \$ _____
Edge Finish Cost: \$ _____
Face Finish Cost: \$ _____

=

Total Cost  
\$ \_\_\_\_\_

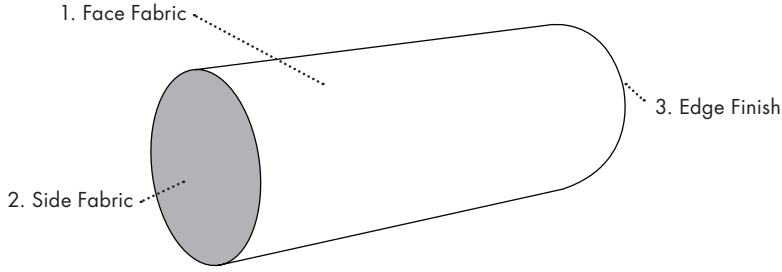
# Bolster (9"x24") - Solid

Base Charge: \$40 (insert included)

## Upgrade Options

### Edge Finish

- A. Add Trimming (p.74) \$5
- B. Add Small Welt (p.74) \$5
- C. Add Medium Welt (p.74) \$5
- D. Add Medium Ruched Welt (p.74) \$20
- E. Add Large Ruched Welt (p.74) \$20



Choose Quantity: \_\_\_\_\_

Choose Insert (included):  Cloud (Microfiber) Standard  Bliss (50% White Duck Feathers/50% Microfiber) No extra charge  Plume (100% White Duck Feathers) No extra charge

Choose Fabric:

1. Main Fabric: Fabric Vendor:  Eastern Accents  C.O.M. (Vendor Name: \_\_\_\_\_ )  
 Fabric Code: \_\_\_\_\_ Fabric Width: \_\_\_\_\_"  Railroaded:  Vertical (1b)  Horizontal (1a)  Up the Roll/Solid  
 Repeat: V: \_\_\_\_\_" H: \_\_\_\_\_" Yardage Needed: \_\_\_\_\_ yds
2. Side Fabric: Fabric Vendor:  Eastern Accents  C.O.M. (Vendor Name: \_\_\_\_\_ )  
 Fabric Code: \_\_\_\_\_ Fabric Width: \_\_\_\_\_"  Railroaded:  Vertical  Horizontal  Up the Roll/Solid  
 Repeat: V: \_\_\_\_\_" H: \_\_\_\_\_" Yardage Needed: \_\_\_\_\_ yds

Add Upgrades (optional):

3. Edge Finish:  A: Add Trimming  B: Add Small Welt  C: Add Medium Welt  
 D: Add Medium Ruched Welt  E: Add Large Ruched Welt

Edge Trimming (Upgrade A):

Trimming Vendor:  Eastern Accents  C.O.M. (Vendor Name: \_\_\_\_\_ )  
 Trimming Code: \_\_\_\_\_ Yardage Needed: \_\_\_\_\_ yds

Edge Fabric (Upgrade B, C, D, and E):

Fabric Vendor:  Eastern Accents  C.O.M. (Vendor Name: \_\_\_\_\_ )  
 Fabric Code: \_\_\_\_\_ Fabric Width: \_\_\_\_\_"  Railroaded  Up the Roll/Solid  
 Repeat: V: \_\_\_\_\_" H: \_\_\_\_\_" Yardage Needed: \_\_\_\_\_ yds

Special Instructions:

---



---

To place your order, please sign below and email/fax this worksheet to: Custom@EasternAccents.com/800.998.3278.

Company Name: \_\_\_\_\_ Account #: \_\_\_\_\_

Phone: \_\_\_\_\_ Fax: \_\_\_\_\_ Email: \_\_\_\_\_

Signature: \_\_\_\_\_ Date: \_\_\_\_\_

Custom items cannot be exchanged and are non-returnable and non-refundable.

Do not send C.O.M. fabrics or trimmings prior to receiving your order confirmation number.

# Bolster Yardage Chart - Solid

## 1a. Main Fabric (Up the Roll or Solid Fabric) 54" - 58" Fabric Width

	Bolster
Solid	1 yd
Medium Repeat (up to 18")	1.25 yds
Large Repeat (over 18")	1.5 yds

## 1b. Main Fabric (Railroaded Fabric) 54" - 58" Fabric Width

	Bolster
Solid	.75 yd
Medium Repeat (up to 18")	1 yd
Large Repeat (over 18")	1.25 yds

## 2. Side Fabric (Up the Roll, Solid, or Railroaded Fabric) 54" - 58" Fabric Width

	Bolster
Solid	.5 yd
Medium Repeat (up to 18")	.75 yd
Large Repeat (over 18")	1 yd

## Yardage Requirement for Upgrades

### 3. Edge Finish 54" - 58" Fabric Width for Welt Upgrades

	Up the Roll or Solid Fabric	Railroaded Fabric
Add Trimming	2 yds	2 yds
Add Small/Medium Welt	.75 yd	.75 yd
Add Medium Ruched Welt	.5 yd	.75 yd
Add Large Ruched Welt	.75 yd	.75 yd

## Calculate Your Custom Product Cost

Base and Upgrade Charges		Material Costs		Total Cost
Base Charge: \$40	+	Main Fabric Cost: \$ _____	=	\$ _____
Edge Finish Upgrade Charges: \$ _____		Side Fabric Cost: \$ _____		
Face Finish Upgrade Charges: \$ _____		Edge Finish Cost: \$ _____		

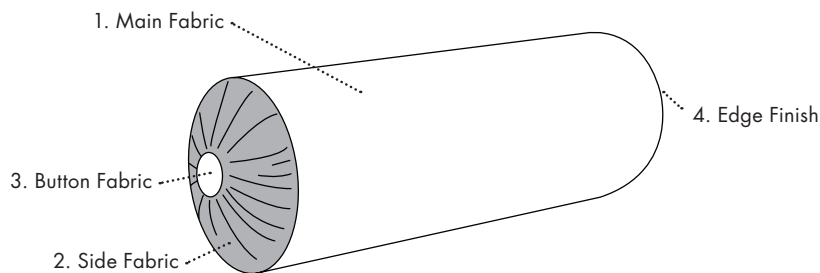
# Bolster (9"x24") - Solid with Gathered Sides

Base Charge: \$45 (insert included)

## Upgrade Options

### Edge Finish

- A. Add Trimming (p.74) \$5
- B. Add Small Welt (p.74) \$5
- C. Add Medium Welt (p.74) \$5
- D. Add Medium Ruched Welt (p.74) \$20
- E. Add Large Ruched Welt (p.74) \$20



Choose Quantity: \_\_\_\_\_

Choose Insert (included):  Cloud (Microfiber) Standard  Bliss (50% White Duck Feathers/50% Microfiber) No extra charge  Plume (100% White Duck Feathers) No extra charge

### Choose Fabric:

1. Main Fabric: Fabric Vendor:  Eastern Accents  C.O.M. (Vendor Name: \_\_\_\_\_ )  
 Fabric Code: \_\_\_\_\_ Fabric Width: \_\_\_\_\_"  Railroaded:  Vertical (1b)  Horizontal (1a)  Up the Roll/Solid  
 Repeat: V: \_\_\_\_\_" H: \_\_\_\_\_" Yardage Needed: \_\_\_\_\_ yds
2. Side Fabric: Fabric Vendor:  Eastern Accents  C.O.M. (Vendor Name: \_\_\_\_\_ )  
 Fabric Code: \_\_\_\_\_ Fabric Width: \_\_\_\_\_"  Railroaded:  Vertical (2b)  Horizontal (2a)  Up the Roll/Solid  
 Repeat: V: \_\_\_\_\_" H: \_\_\_\_\_" Yardage Needed: \_\_\_\_\_ yds
3. Button Fabric: Fabric Vendor:  Eastern Accents  C.O.M. (Vendor Name: \_\_\_\_\_ )  
 Fabric Code: \_\_\_\_\_ Fabric Width: \_\_\_\_\_"  Railroaded  Up the Roll/Solid  
 Repeat: V: \_\_\_\_\_" H: \_\_\_\_\_" Yardage Needed: \_\_\_\_\_ yds

### Add Upgrades (optional):

4. Edge Finish:  A: Add Trimming  B: Add Small Welt  C: Add Medium Welt  
 D: Add Medium Ruched Welt  E: Add Large Ruched Welt

#### Edge Trimming (Upgrade A):

Trimming Vendor:  Eastern Accents  C.O.M. (Vendor Name: \_\_\_\_\_ )  
 Trimming Code: \_\_\_\_\_ Yardage Needed: \_\_\_\_\_ yds

#### Edge Fabric (Upgrade B, C, D, and E):

Fabric Vendor:  Eastern Accents  C.O.M. (Vendor Name: \_\_\_\_\_ )  
 Fabric Code: \_\_\_\_\_ Fabric Width: \_\_\_\_\_"  Railroaded  Up the Roll/Solid  
 Repeat: V: \_\_\_\_\_" H: \_\_\_\_\_" Yardage Needed: \_\_\_\_\_ yds

### Special Instructions:

---



---



---

To place your order, please sign below and email/fax this worksheet to: Custom@EasternAccents.com/800.998.3278.

Company Name: \_\_\_\_\_ Account #: \_\_\_\_\_

Phone: \_\_\_\_\_ Fax: \_\_\_\_\_ Email: \_\_\_\_\_

Signature: \_\_\_\_\_ Date: \_\_\_\_\_

Custom items cannot be exchanged and are non-returnable and non-refundable.



# Bolster Yardage Chart - Solid with Gathered Sides

## 1a. Main Fabric (Up the Roll or Solid Fabric) 54" - 58" Fabric Width

	Bolster
Solid	1 yd
Medium Repeat (up to 18")	1.25 yds
Large Repeat (over 18")	1.5 yds

## 1b. Main Fabric (Railroaded Fabric) 54" - 58" Fabric Width

	Bolster
Solid	.75 yd
Medium Repeat (up to 18")	1 yd
Large Repeat (over 18")	1.25 yds

## 2a. Side Fabric (Up the Roll or Solid Fabric) 54" - 58" Fabric Width

	Bolster
Solid	.25 yd
Medium Repeat (up to 18")	.5 yd
Large Repeat (over 18")	.75 yd

## 2b. Side Fabric (Railroaded Fabric) 54" - 58" Fabric Width

	Bolster
Solid	.75 yd
Medium Repeat (up to 18")	1 yd
Large Repeat (over 18")	1.25 yds

## 3. Button Fabric (Up the Roll, Solid, or Railroaded Fabric) 54" - 58" Fabric Width

	Bolster
Any Repeat	.25 yd

## Yardage Requirement for Upgrades

### 4. Edge Finish 54" - 58" Fabric Width for Welt Upgrades

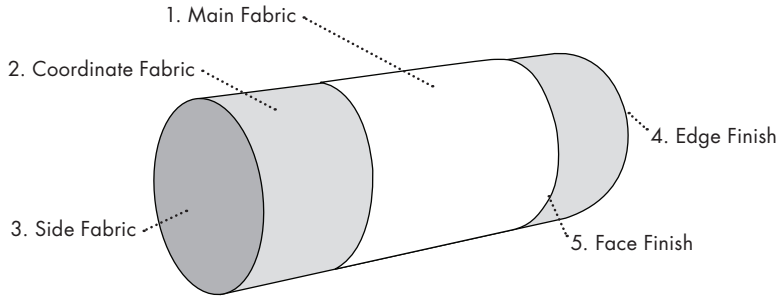
	Up the Roll or Solid Fabric	Railroaded Fabric
Add Trimming	2 yds	2 yds
Add Small/Medium Welt	.75 yd	.75 yd
Add Medium Ruched Welt	.5 yd	.75 yd
Add Large Ruched Welt	.75 yd	.75 yd

## Calculate Your Custom Product Cost

Base and Upgrade Charges		Material Costs		Total Cost
Base Charge: \$45	+	Main Fabric Cost: \$ _____	=	\$ _____
Edge Finish Upgrade Charges: \$ _____		Side Fabric Cost: \$ _____		
Face Finish Upgrade Charges: \$ _____		Button Fabric Cost: \$ _____		
	Edge Finish Cost: \$ _____			

# Bolster (9"x24") - Insert

Base Charge: \$45 (insert included)



## Upgrade Options

### Edge Finish

- A. Add Trimming (p.74) \$5
- B. Add Small Welt (p.74) \$5
- C. Add Medium Welt (p.74) \$5
- D. Add Medium Ruched Welt (p.74) \$20
- E. Add Large Ruched Welt (p.74) \$20

### Face Finish

- P. Add Trimming (p.76) \$5
- Q. Add Small Welt (p.76) \$5

Choose Quantity: \_\_\_\_\_

Choose Insert (included):  Cloud (Microfiber) Standard  Bliss (50% White Duck Feathers/50% Microfiber) No extra charge  Plume (100% White Duck Feathers) No extra charge

### Choose Fabric:

1. Main Fabric: Fabric Vendor:  Eastern Accents  C.O.M. (Vendor Name: \_\_\_\_\_)  
 Fabric Code: \_\_\_\_\_ Fabric Width: \_\_\_\_\_"  Railroaded:  Vertical  Horizontal  Up the Roll/Solid  
 Repeat: V: \_\_\_\_\_" H: \_\_\_\_\_" Yardage Needed: \_\_\_\_\_ yds
2. Coordinate Fabric: Fabric Vendor:  Eastern Accents  C.O.M. (Vendor Name: \_\_\_\_\_)  
 Fabric Code: \_\_\_\_\_ Fabric Width: \_\_\_\_\_"  Railroaded:  Vertical  Horizontal  Up the Roll/Solid  
 Repeat: V: \_\_\_\_\_" H: \_\_\_\_\_" Yardage Needed: \_\_\_\_\_ yds
3. Side Fabric: Fabric Vendor:  Eastern Accents  C.O.M. (Vendor Name: \_\_\_\_\_)  
 Fabric Code: \_\_\_\_\_ Fabric Width: \_\_\_\_\_"  Railroaded:  Vertical  Horizontal  Up the Roll/Solid  
 Repeat: V: \_\_\_\_\_" H: \_\_\_\_\_" Yardage Needed: \_\_\_\_\_ yds

### Add Upgrades (optional):

4. Edge Finish:  A: Add Trimming  B: Add Small Welt  C: Add Medium Welt  
 D: Add Medium Ruched Welt  E: Add Large Ruched Welt

#### Edge Trimming (Upgrade A):

Trimming Vendor:  Eastern Accents  C.O.M. (Vendor Name: \_\_\_\_\_)  
 Trimming Code: \_\_\_\_\_ Yardage Needed: \_\_\_\_\_ yds

#### Edge Fabric (Upgrade B, C, D, and E):

Fabric Vendor:  Eastern Accents  C.O.M. (Vendor Name: \_\_\_\_\_)  
 Fabric Code: \_\_\_\_\_ Fabric Width: \_\_\_\_\_"  Railroaded  Up the Roll/Solid  
 Repeat: V: \_\_\_\_\_" H: \_\_\_\_\_" Yardage Needed: \_\_\_\_\_ yds

5. Face Finish:  P: Add Trimming  Q: Add Small Welt

#### Face Trimming (Upgrade P):

Trimming Vendor:  Eastern Accents  C.O.M. (Vendor Name: \_\_\_\_\_)  
 Trimming Code: \_\_\_\_\_ Yardage Needed: \_\_\_\_\_ yds

#### Face Fabric (Upgrade Q):

Fabric Vendor:  Eastern Accents  C.O.M. (Vendor Name: \_\_\_\_\_)  
 Fabric Code: \_\_\_\_\_ Fabric Width: \_\_\_\_\_"  Railroaded  Up the Roll  
 Repeat: V: \_\_\_\_\_" H: \_\_\_\_\_" Yardage Needed: \_\_\_\_\_ yds

### Special Instructions:

\_\_\_\_\_  
 \_\_\_\_\_

To place your order, please sign below and email/fax this worksheet to: Custom@EasternAccents.com/800.998.3278.

Company Name: \_\_\_\_\_ Account #: \_\_\_\_\_

Phone: \_\_\_\_\_ Fax: \_\_\_\_\_ Email: \_\_\_\_\_

Signature: \_\_\_\_\_ Date: \_\_\_\_\_

Custom items cannot be exchanged and are non-returnable and non-refundable.

Do not send C.O.M. fabrics or trimmings prior to receiving your order confirmation number.

# Bolster Yardage Chart - Insert

## 1. Main Fabric (Up the Roll, Solid, or Railroaded Fabric) 54" - 58" Fabric Width

	Up the Roll Fabric	Railroaded Fabric
Solid	1 yd	.5 yd
Medium Repeat (up to 18")	1.25 yds	.75 yd
Large Repeat (over 18")	1.5 yds	1 yd

## 2. Coordinate Fabric (Up the Roll, Solid, or Railroaded Fabric) 54" - 58" Fabric Width

	Up the Roll Fabric	Railroaded Fabric
Solid	1 yd	.5 yd
Medium Repeat (up to 18")	1.25 yds	.75 yd
Large Repeat (over 18")	1.5 yds	1 yd

## 3. Side Fabric (Up the Roll, Solid, or Railroaded Fabric) 54" - 58" Fabric Width

	Up the Roll Fabric	Railroaded Fabric
Solid	.5 yd	.5 yd
Medium Repeat (up to 18")	.75 yd	.75 yd
Large Repeat (over 18")	1 yd	1 yd

## Yardage Requirement for Upgrades

### 4. Edge Finish 54" - 58" Fabric Width for Welt Upgrades

	Up the Roll or Solid Fabric	Railroaded Fabric
Add Trimming	2 yds	2 yds
Add Small/Medium Welt	.75 yd	.75 yd
Add Medium Ruched Welt	.5 yd	.75 yd
Add Large Ruched Welt	.75 yd	.75 yd

### 5. Face Finish 54" - 58" Fabric Width for Welt Upgrades

	Bolster
Add Trimming	2 yds
Add Small Welt	.75 yd

## Calculate Your Custom Product Cost

<table border="1" style="width: 100%; border-collapse: collapse;"> <thead> <tr> <th style="background-color: #cccccc;">Base and Upgrade Charges</th> </tr> </thead> <tbody> <tr> <td>Base Charge: \$45</td> </tr> <tr> <td>Edge Finish Upgrade Charges: \$ _____</td> </tr> <tr> <td>Face Finish Upgrade Charges: \$ _____</td> </tr> </tbody> </table>	Base and Upgrade Charges	Base Charge: \$45	Edge Finish Upgrade Charges: \$ _____	Face Finish Upgrade Charges: \$ _____	+	<table border="1" style="width: 100%; border-collapse: collapse;"> <thead> <tr> <th style="background-color: #cccccc;">Material Costs</th> </tr> </thead> <tbody> <tr> <td>Main Fabric Cost: \$ _____</td> </tr> <tr> <td>Coordinate Fabric Cost: \$ _____</td> </tr> <tr> <td>Side Fabric Cost: \$ _____</td> </tr> <tr> <td>Edge Finish Cost: \$ _____</td> </tr> <tr> <td>Face Finish Cost: \$ _____</td> </tr> </tbody> </table>	Material Costs	Main Fabric Cost: \$ _____	Coordinate Fabric Cost: \$ _____	Side Fabric Cost: \$ _____	Edge Finish Cost: \$ _____	Face Finish Cost: \$ _____	=	<p style="text-align: right;">Total Cost</p> <p style="text-align: right;">\$ _____</p>
Base and Upgrade Charges														
Base Charge: \$45														
Edge Finish Upgrade Charges: \$ _____														
Face Finish Upgrade Charges: \$ _____														
Material Costs														
Main Fabric Cost: \$ _____														
Coordinate Fabric Cost: \$ _____														
Side Fabric Cost: \$ _____														
Edge Finish Cost: \$ _____														
Face Finish Cost: \$ _____														

# Bolster (9"x24") - Insert with Gathered Sides

Base Charge: \$50 (insert included)

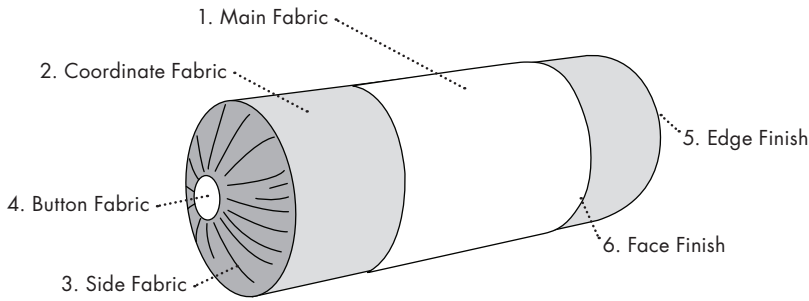
## Upgrade Options

### Edge Finish

- A. Add Trimming (p.74) \$5
- B. Add Small Welt (p.74) \$5
- C. Add Medium Welt (p.74) \$5
- D. Add Medium Ruched Welt (p.74) \$20
- E. Add Large Ruched Welt (p.74) \$20

### Face Finish

- P. Add Trimming (p.76) \$5
- Q. Add Small Welt (p.76) \$5



Choose Quantity: \_\_\_\_\_

Choose Insert (included):  Cloud (Microfiber) Standard  Bliss (50% White Duck Feathers/50% Microfiber) No extra charge  Plume (100% White Duck Feathers) No extra charge

### Choose Fabric:

- 1. Main Fabric: Fabric Vendor:  Eastern Accents  C.O.M. (Vendor Name: \_\_\_\_\_)  
Fabric Code: \_\_\_\_\_ Fabric Width: \_\_\_\_\_"  Railroaded:  Vertical  Horizontal  Up the Roll/Solid  
Repeat: V: \_\_\_\_\_" H: \_\_\_\_\_" Yardage Needed: \_\_\_\_\_ yds
- 2. Coordinate Fabric: Fabric Vendor:  Eastern Accents  C.O.M. (Vendor Name: \_\_\_\_\_)  
Fabric Code: \_\_\_\_\_ Fabric Width: \_\_\_\_\_"  Railroaded:  Vertical  Horizontal  Up the Roll/Solid  
Repeat: V: \_\_\_\_\_" H: \_\_\_\_\_" Yardage Needed: \_\_\_\_\_ yds
- 3. Side Fabric: Fabric Vendor:  Eastern Accents  C.O.M. (Vendor Name: \_\_\_\_\_)  
Fabric Code: \_\_\_\_\_ Fabric Width: \_\_\_\_\_"  Railroaded:  Vertical  Horizontal  Up the Roll/Solid  
Repeat: V: \_\_\_\_\_" H: \_\_\_\_\_" Yardage Needed: \_\_\_\_\_ yds
- 4. Button Fabric: Fabric Vendor:  Eastern Accents  C.O.M. (Vendor Name: \_\_\_\_\_)  
Fabric Code: \_\_\_\_\_ Fabric Width: \_\_\_\_\_"  Railroaded  Up the Roll/Solid  
Repeat: V: \_\_\_\_\_" H: \_\_\_\_\_" Yardage Needed: \_\_\_\_\_ yds

### Add Upgrades (optional):

- 5. Edge Finish:  A: Add Trimming  B: Add Small Welt  C: Add Medium Welt  
 D: Add Medium Ruched Welt  E: Add Large Ruched Welt

#### Edge Trimming (Upgrade A):

Trimming Vendor:  Eastern Accents  C.O.M. (Vendor Name: \_\_\_\_\_)  
Trimming Code: \_\_\_\_\_ Yardage Needed: \_\_\_\_\_ yds

#### Edge Fabric (Upgrade B, C, D, and E):

Fabric Vendor:  Eastern Accents  C.O.M. (Vendor Name: \_\_\_\_\_)  
Fabric Code: \_\_\_\_\_ Fabric Width: \_\_\_\_\_"  Railroaded  Up the Roll/Solid  
Repeat: V: \_\_\_\_\_" H: \_\_\_\_\_" Yardage Needed: \_\_\_\_\_ yds

- 6. Face Finish:  P: Add Trimming  Q: Add Small Welt

#### Face Trimming (Upgrade P):

Trimming Vendor:  Eastern Accents  C.O.M. (Vendor Name: \_\_\_\_\_)  
Trimming Code: \_\_\_\_\_ Yardage Needed: \_\_\_\_\_ yds

#### Face Fabric (Upgrade Q):

Fabric Vendor:  Eastern Accents  C.O.M. (Vendor Name: \_\_\_\_\_)  
Fabric Code: \_\_\_\_\_ Fabric Width: \_\_\_\_\_"  Railroaded  Up the Roll/Solid  
Repeat: V: \_\_\_\_\_" H: \_\_\_\_\_" Yardage Needed: \_\_\_\_\_ yds

### Special Instructions:

\_\_\_\_\_

\_\_\_\_\_

To place your order, please sign below and email/fax this worksheet to: Custom@EasternAccents.com/800.998.3278.

Company Name: \_\_\_\_\_ Account #: \_\_\_\_\_

Phone: \_\_\_\_\_ Fax: \_\_\_\_\_ Email: \_\_\_\_\_

Signature: \_\_\_\_\_ Date: \_\_\_\_\_

Custom items cannot be exchanged and are non-returnable and non-refundable.

Do not send C.O.M. fabrics or trimmings prior to receiving your order confirmation number.

# Bolster Yardage Chart - Insert with Gathered Sides

## 1. Main Fabric (Up the Roll, Solid, or Railroaded Fabric) 54" - 58" Fabric Width

	Up the Roll Fabric	Railroaded Fabric
Solid	1 yd	.5 yd
Medium Repeat (up to 18")	1.25 yds	.75 yd
Large Repeat (over 18")	1.5 yds	1 yd

## 2. Coordinate Fabric (Up the Roll, Solid, or Railroaded Fabric) 54" - 58" Fabric Width

	Up the Roll Fabric	Railroaded Fabric
Solid	1 yd	.5 yd
Medium Repeat (up to 18")	1.25 yds	.75 yd
Large Repeat (over 18")	1.5 yds	1 yd

## 3. Side Fabric (Up the Roll, Solid, or Railroaded Fabric) 54" - 58" Fabric Width

	Up the Roll Fabric	Railroaded Fabric
Solid	.25 yd	.75 yd
Medium Repeat (up to 18")	.5 yd	1 yd
Large Repeat (over 18")	.75 yd	1.25 yds

## 4. Button Fabric (Up the Roll, Solid, or Railroaded Fabric) 54" - 58" Fabric Width

	Up the Roll or Solid Fabric	Railroaded Fabric
Any Repeat	.25 yd	.25 yd

## Yardage Requirement for Upgrades

### 5. Edge Finish 54" - 58" Fabric Width for Welt Upgrades

	Up the Roll or Solid Fabric	Railroaded Fabric
Add Trimming	2 yds	2 yds
Add Small/Medium Welt	.75 yd	.75 yd
Add Medium Ruched Welt	.5 yd	.75 yd
Add Large Ruched Welt	.75 yd	.75 yd

### 6. Face Finish 54" - 58" Fabric Width for Welt Upgrades

	Bolster
Add Trimming	2 yds
Add Small Welt	.75 yd

## Calculate Your Custom Product Cost

Base and Upgrade Charges
Base Charge: \$50
Edge Finish Upgrade Charges: \$ _____
Face Finish Upgrade Charges: \$ _____

+

Material Costs
Main Fabric Cost: \$ _____
Coordinate Fabric Cost: \$ _____
Side Fabric Cost: \$ _____
Button Fabric Cost: \$ _____
Edge Finish Cost: \$ _____
Face Finish Cost: \$ _____

Total Cost  
= \$ \_\_\_\_\_

# Bed Cover Upgrades

## Edge Finish Upgrades

### A. Add Cord

Add a cord to four outer edges of the duvet cover and comforter and three edges of the coverlet.



### F. Add Flange

It is an option to add a 3" flange to the bottom and two outer sides of the bed cover.



### B & C. Add Welt

You may add a small welt (approximately 1/4") or a medium welt (approximately 1/2") to the four outer edges of the bed cover for a decorative accent.



### G. Add Top Stitch

This stitch is parallel to the seam of the coverlet, and is sewn to be visible on the top to give the bed cover a clean edge.



### D & E. Add Ruched Welt

This upgrade involves adding a medium ruched welt (approximately 2") or a large ruched welt (approximately 2 1/2") to all four outer sides of the bed cover.



### H. Add Edging Welt

Add a 1" welt to the edge of the coverlet that is stitched on top to give the bed cover a more finished look.



# Bed Cover Upgrades

## Face Finish Upgrades

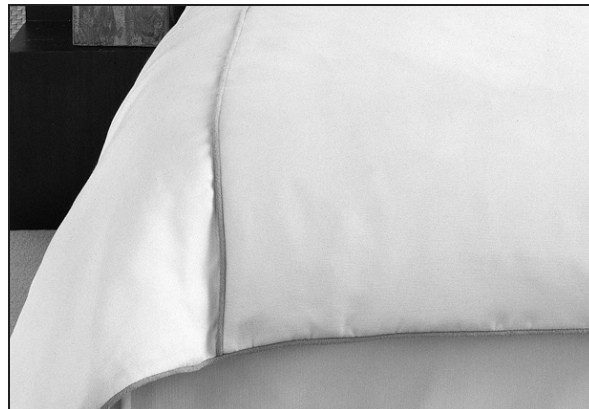
### I. Add Cord or Gimp

This upgrade involves adding a decorative trimming of your choice to the face of the bed cover. Placement options may vary depending on style.



### J. Add Small Welt

This upgrade involves adding a small welt (1/4") to the face of the bed cover. Placement options may vary depending on style.



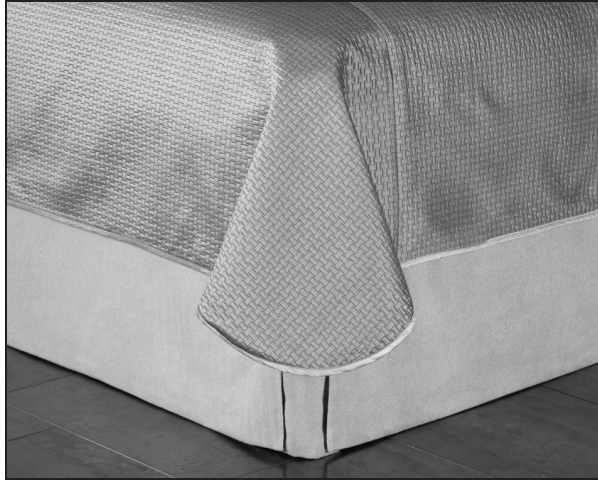
### K. Add 2" Cuff

This upgrade involves adding a cuff to the face of the bed cover. Placement options may vary depending on style.

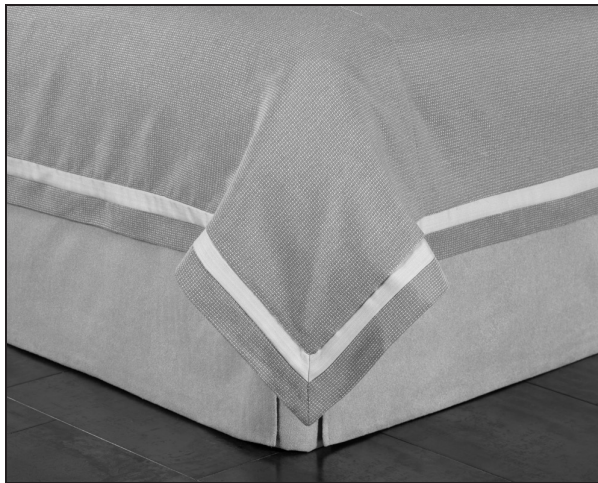


# Coverlet Corners

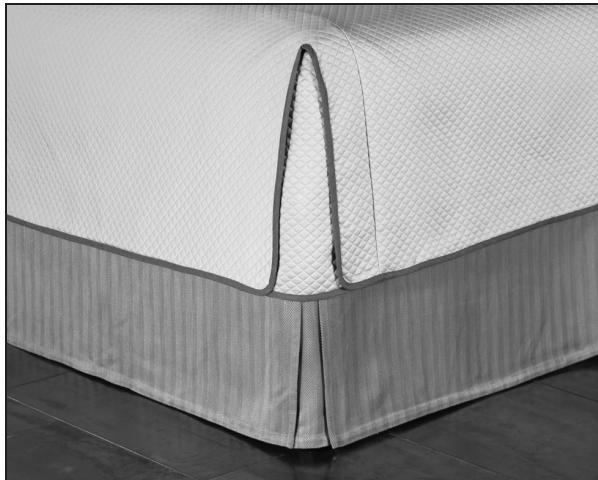
Rounded Corners



Square Corners



Split Corners with Gusset





# Bed Skirt Upgrades

## Bottom Edge Finish Upgrades

### A. Add 3.5" Banding

Add a 3.5" band along all three sides of the skirt.



### B. Add Border or Ribbon

Add a horizontal border or ribbon along all three sides of the skirt.



## Face Finish Upgrades

### C. Add Gimp

This upgrade involves adding a horizontal gimp to all three sides of the bed skirt—located approximately 3.5" from the bottom edge of the skirt.



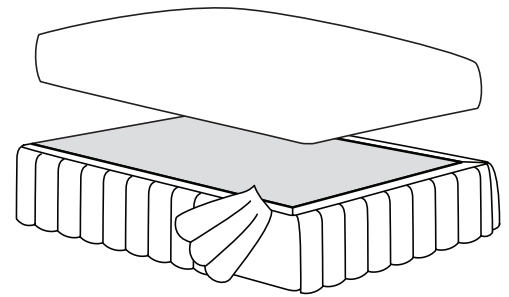
## Other Upgrades

### D. Add Lining

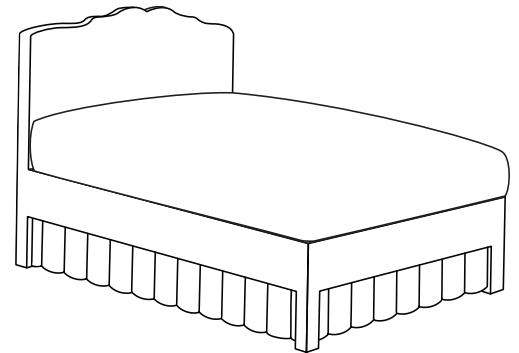
For silk and light-weight fabrics, we recommend adding lining to your bed skirt for durability and coverage. Our lining is 100% cotton.

### E. Add Velcro

This upgrade involves adding a 9" velcro band to your bed skirt (available as 'Bed Skirt Attaches to Box Spring' and 'Bed Skirt Attaches to Inside of Bed Frame' styles only). With our velcro option, the bed skirt can be attached and removed without moving the mattress.



Bed Skirt Attaches to Box Spring



Bed Skirt Attaches to Inside of Bed Frame

# Bed Pillow Upgrades

## Edge Finish Upgrades

### A. Add Trimming

This upgrade involves adding a decorative trimming of your choice to all four outer edges of the bed pillow.



### G. Add 3" Double Ruffle

This upgrade involves adding a double ruffle (with a 3" exterior ruffle and a 1" interior ruffle) to all four outer edges of the the bed pillow.



### B & C. Add Welt

You may add a small welt (approximately 1/4") or a medium welt (approximately 1/2") to the four outer edges of the bed pillow for a decorative accent.



### H & I. Add 1.5" or 3" Self Flange

These upgrades involve adding a 1.5" or a 3" self flange in the main fabric to all four outer edges of the bed pillow.



### D & E. Add Ruched Welt

This upgrade involves adding a medium ruched welt (approximately 2") or a large ruched welt (approximately 2 1/2") to all four outer sides of the bed pillow.



### J & K. Add 1.5" or 3" Mitered Flange

These upgrades involve adding a 1.5" or 3" mitered flange in contrasting fabric to all four outer edges of the bed pillow.



### F. Add 3" Ruffle

This upgrade involves adding a 3" ruffle to all four outer edges of the Euro, standard, or king sham.



### L. Add 3" Double Mitered Flange

This upgrade involves adding a double mitered flange (with a 3" exterior flange and a 1" mitered flange) in contrasting fabric to all four outer edges of the bed pillow.



# Bed Pillow Upgrades

## Edge Finish Upgrades

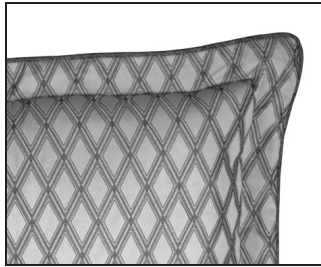
### M. Add Tassels to Corners

This upgrade involves adding tassels of your choice to each of the bed pillow's four corners.



### N. Add Small Welt to Flange

This upgrade involves adding a small welt (approximately 1/4") to all four outer edges of the bed pillow's flange.



### O. Add Small Cord to Flange

This upgrade involves adding a small cord (approximately 1/8") to all four outer edges of the bed pillow's flange.



# Bed Pillow Upgrades

## Face Finish Upgrades

### P. Add Trimming

This upgrade involves adding a decorative trimming of your choice to the face of the bed pillow. Placement options may vary depending on pillow style.



### T. Add Frame Trimming

Create a unique look by adding a ribbon or gimp to the face of a decorative pillow in a frame design. The frame is set in from the edges of the pillow.



### Q. Add Small Welt

This upgrade involves adding a small welt (1/4") to the face of the bed pillow. Placement options may vary depending on pillow style.



### U, V, & W. Add Tufting with Buttons

These upgrades involve adding button tufting to the face of the Euro sham. You may choose from one, four, or five fabric-covered buttons.



### R. Add 2" Cuff

This upgrade involves adding a 2" cuff to the face of the bed pillow.



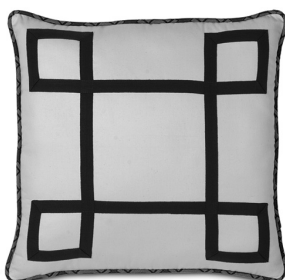
### X. Add Trimming to Envelope

This upgrade involves adding decorative trim to the edge of the envelope on the pillow.



### S. Add Geometric Trimming

Add a ribbon or gimp to the face of the pillow in a sophisticated geometric design.



### Y. Add Tassel to Envelope

This upgrade involves adding a single tassel to the envelope of a pillow.





# Bedding Basics

## Celesta Collection

650 Fill Power Pure White Domestic Down with Crisp Cambric Cotton Cover.

Comforters:

	TWIN 63" x 88"	FULL 78" x 88"	QUEEN 88" x 90"	SUPER QUEEN 96" x 98"	KING 102" x 90"	SUPER KING 114" x 98"	CAL KING 104" x 100"
Light	DM-CFA-TW01 \$137	DM-CFA-FU01 \$164	DM-CFA-QN01 \$190	DM-CFA-SQ01 \$215	DM-CFA-KN01 \$214	DM-CFA-SK01 \$255	DM-CFA-CK01 \$247
Medium	DM-CFB-TW01 \$158	DM-CFB-FU01 \$188	DM-CFB-QN01 \$218	DM-CFB-SQ01 \$250	DM-CFB-KN01 \$248	DM-CFB-SK01 \$295	DM-CFB-CK01 \$285
Deluxe	DM-CFC-TW01 \$193	DM-CFC-FU01 \$232	DM-CFC-QN01 \$271	DM-CFC-SQ01 \$312	DM-CFC-KN01 \$308	DM-CFC-SK01 \$367	DM-CFC-CK01 \$353

Sleep Pillows:

	STANDARD 20" x 27"	QUEEN 20" x 31"	KING 21" x 37"
Soft	DM-BPA-ST01 \$56	DM-BPA-QN01 \$63	DM-BPA-KN01 \$77
Medium	DM-BPB-ST01 \$66	DM-BPB-QN01 \$75	DM-BPB-KN01 \$93
Firm	DM-BPC-ST01 \$81	DM-BPC-QN01 \$91	DM-BPC-KN01 \$115

## Loure Collection

Faux Down with Crisp Cambric Cotton Cover.

Comforters:

	TWIN 63" x 88"	FULL 78" x 88"	QUEEN 88" x 90"	SUPER QUEEN 96" x 98"	KING 102" x 90"	SUPER KING 114" x 98"	CAL KING 104" x 100"
Light	DM-CFA-TW05 \$72	DM-CFA-FU05 \$82	DM-CFA-QN05 \$95	DM-CFA-SQ05 \$106	DM-CFA-KN05 \$106	DM-CFA-SK05 \$122	DM-CFA-CK05 \$122
Medium	DM-CFB-TW05 \$74	DM-CFB-FU05 \$85	DM-CFB-QN05 \$97	DM-CFB-SQ05 \$109	DM-CFB-KN05 \$109	DM-CFB-SK05 \$125	DM-CFB-CK05 \$125
Deluxe	DM-CFC-TW05 \$77	DM-CFC-FU05 \$88	DM-CFC-QN05 \$102	DM-CFC-SQ05 \$114	DM-CFC-KN05 \$114	DM-CFC-SK05 \$131	DM-CFC-CK05 \$131

Sleep Pillows:

	STANDARD 20" x 27"	QUEEN 20" x 31"	KING 21" x 37"
Soft	DM-BPA-ST05 \$16	DM-BPA-QN05 \$18	DM-BPA-KN05 \$20
Medium	DM-BPB-ST05 \$18	DM-BPB-QN05 \$20	DM-BPB-KN05 \$22
Firm	DM-BPC-ST05 \$20	DM-BPC-QN05 \$22	DM-BPC-KN05 \$24

# PILLOW INSERTS

	Plume Collection Feathers	Bliss Collection Microfiber & Feathers	Cloud Collection Microfiber	
<b>BED PILLOWS</b>				
20"x27" Standard	DPI-PLU-26	DPI-BLS-26	DPI-CLO-26	\$22
20"x27"x3" Boxed Standard	DPI-PLU-31	DPI-BLS-31	DPI-CLO-31	\$29
21"x37" King	DPI-PLU-27	DPI-BLS-27	DPI-CLO-27	\$29
21"x37"x3" Boxed King	DPI-PLU-32	DPI-BLS-32	DPI-CLO-32	\$39
27"x27" Euro	DPI-PLU-09	DPI-BLS-09	DPI-CLO-09	\$30
27"x27"x3" Boxed Euro	DPI-PLU-15	DPI-BLS-15	DPI-CLO-15	\$39
32"x32" Large Euro	DPI-PLU-10	DPI-BLS-10	DPI-CLO-10	\$41
<b>GRAND PILLOWS</b>				
20"x60" Queen	DPI-PLU-28	DPI-BLS-28	DPI-CLO-28	\$46
20"x60"x3" Boxed Queen	DPI-PLU-33	DPI-BLS-33	DPI-CLO-33	\$58
20"x76" King	DPI-PLU-29	DPI-BLS-29	DPI-CLO-29	\$57
20"x76"x3" Boxed King	DPI-PLU-34	DPI-BLS-34	DPI-CLO-34	\$71
<b>BOLSTERS</b>				
5"dx17"	DPI-PLU-39	DPI-BLS-39	DPI-CLO-39	\$12
9"dx18"	DPI-PLU-40	DPI-BLS-40	DPI-CLO-40	\$17
9"dx24"	DPI-PLU-41	DPI-BLS-41	DPI-CLO-41	\$20
9"dx32"	DPI-PLU-42	DPI-BLS-42	DPI-CLO-42	\$26
<b>RECTANGULAR</b>				
8"x16"	DPI-PLU-16	DPI-BLS-16	DPI-CLO-16	\$12
9"x12"	DPI-PLU-17	DPI-BLS-17	DPI-CLO-17	\$12
10"x13"	DPI-PLU-18	DPI-BLS-18	DPI-CLO-18	\$12
11"x21"	DPI-PLU-19	DPI-BLS-19	DPI-CLO-19	\$13
12"x18"	DPI-PLU-20	DPI-BLS-20	DPI-CLO-20	\$13
13"x15"	DPI-PLU-21	DPI-BLS-21	DPI-CLO-21	\$12
13"x22"	DPI-PLU-22	DPI-BLS-22	DPI-CLO-22	\$14
15"x18"	DPI-PLU-23	DPI-BLS-23	DPI-CLO-23	\$14
15"x26"	DPI-PLU-24	DPI-BLS-24	DPI-CLO-24	\$18
16"x22"	DPI-PLU-25	DPI-BLS-25	DPI-CLO-25	\$16
<b>ROUND</b>				
12"dx2"	DPI-PLU-35	DPI-BLS-35	DPI-CLO-35	\$12
14"dx2"	DPI-PLU-36	DPI-BLS-36	DPI-CLO-36	\$13
16"dx2"	DPI-PLU-37	DPI-BLS-37	DPI-CLO-37	\$16
18"dx2"	DPI-PLU-38	DPI-BLS-38	DPI-CLO-38	\$19
<b>BOXED</b>				
12"x12"x2"	DPI-PLU-11	DPI-BLS-11	DPI-CLO-11	\$12
12"x22"x2"	DPI-PLU-30	DPI-BLS-30	DPI-CLO-30	\$17
16"x16"x2"	DPI-PLU-12	DPI-BLS-12	DPI-CLO-12	\$17
18"x18"x2"	DPI-PLU-13	DPI-BLS-13	DPI-CLO-13	\$19
24"x24"x3"	DPI-PLU-14	DPI-BLS-14	DPI-CLO-14	\$33
<b>SQUARE</b>				
10"x10"	DPI-PLU-01	DPI-BLS-01	DPI-CLO-01	\$12
12"x12"	DPI-PLU-02	DPI-BLS-02	DPI-CLO-02	\$12
14"x14"	DPI-PLU-03	DPI-BLS-03	DPI-CLO-03	\$12
16"x16"	DPI-PLU-04	DPI-BLS-04	DPI-CLO-04	\$14
18"x18"	DPI-PLU-05	DPI-BLS-05	DPI-CLO-05	\$15
20"x20"	DPI-PLU-06	DPI-BLS-06	DPI-CLO-06	\$17
22"x22"	DPI-PLU-07	DPI-BLS-07	DPI-CLO-07	\$21
24"x24"	DPI-PLU-08	DPI-BLS-08	DPI-CLO-08	\$24

# EASTERN ♦ ACCENTS®

---

P. 800.397.4556 | F. 800.998.3278  
Custom.EasternAccents.com

